

## INSTALLATION INSTRUCTIONS

### 2021+ FORD BRONCO ROOF LINE SR MOUNT KIT



#### PRODUCTS INCLUDE:

- (2) MOUNTS #46723
- \*Lights sold separately.

#### RECOMMENDED TOOLS:

- T30 Torx bit
- 10mm Socket
- 7/16" Socket
- Philips Screw Driver

### IMPORTANT

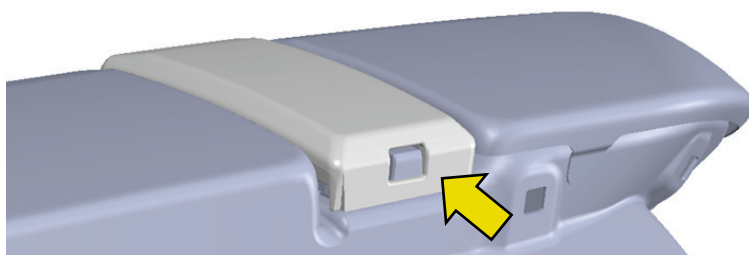
THANK YOU FOR PURCHASING RIGID INDUSTRIES' PRODUCTS FOR YOUR VEHICLE.

Please read through all of these Instructions and tips before proceeding with the installation. We do our best to provide a simple installation process for all applications however a professional installation is always recommended.

Always disconnect any power sources connected to your vehicle before servicing fuses or electrical systems.

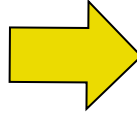
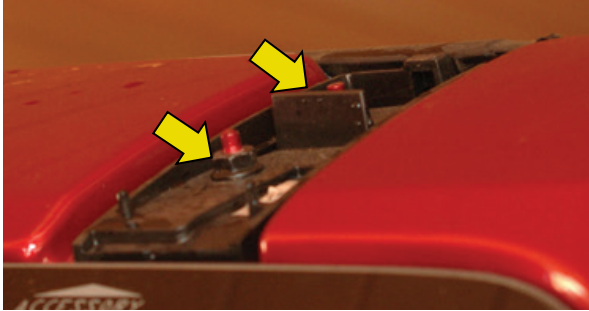
### STEP: 1

Remove the factory stud covers above the windshield. Pry the rear of the covers to remove.



## STEP: 2

After the cover has been removed, proceed to remove the two flanged nuts on each side with a 10mm socket.



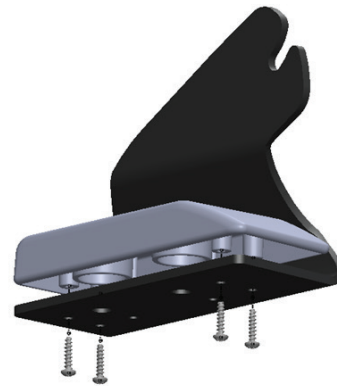
## STEP: 3

Install the rubber isolators as shown.



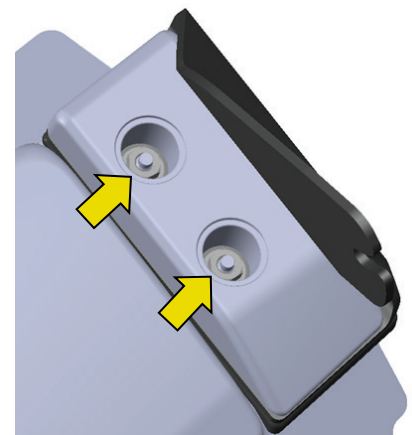
## STEP: 4

Assemble the brackets with the correct cover. Use the supplied self tapping screws(8X included) with a Phillips screwdriver.



## STEP: 5

Using the supplied flange nuts, attach the assembly to the vehicle using a 10mm socket. Tighten to 10 Nm (88.5in-lbs).

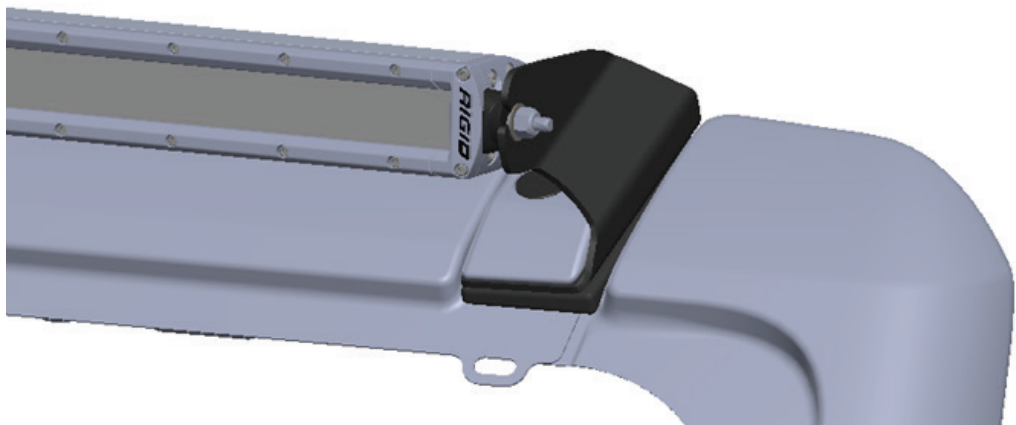


**STEP: 6**

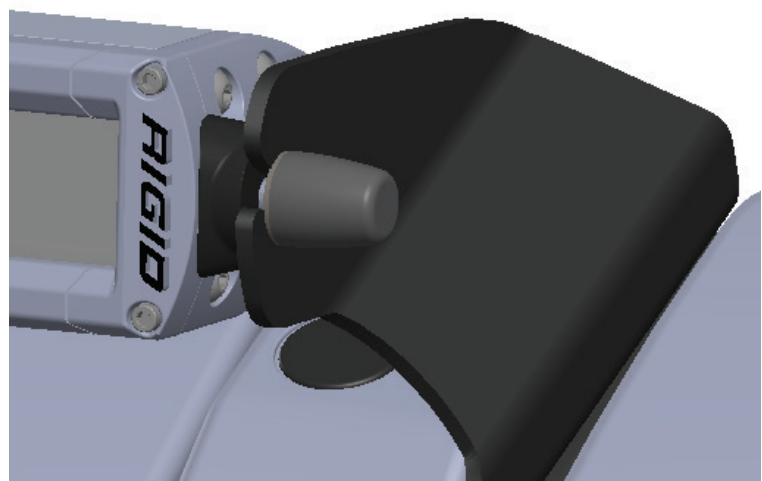
Install stud caps into the covers using some firm pressure for a press fit.

**STEP: 7**

Once the brackets assemblies have been installed, the light bar can be mounted. Black washers are included with the vehicle specific mounting kit in place of the chrome stainless washer.

**STEP: 8**

Afterwards, install the rubber cover on the studs on each end of the light bar.



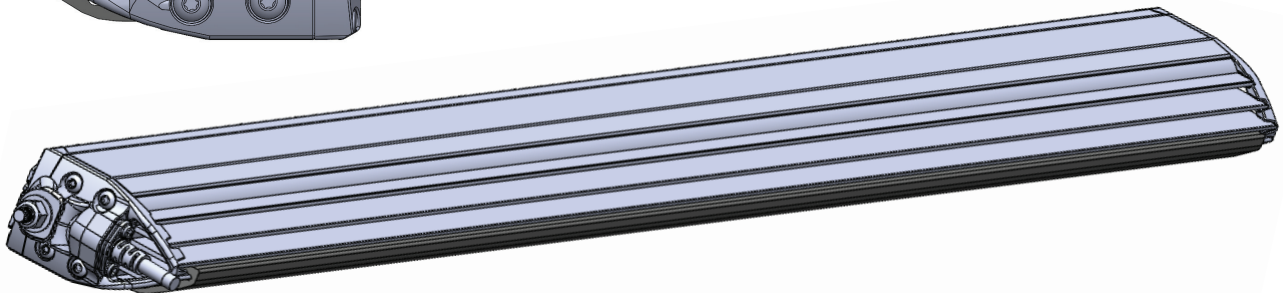
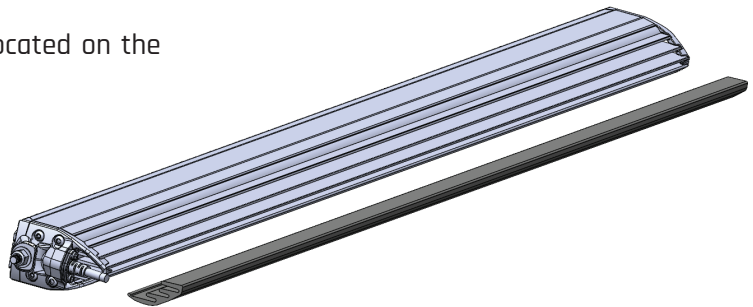
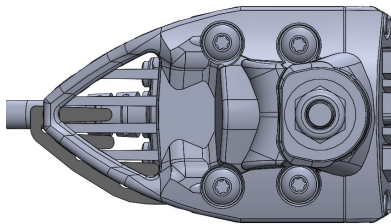
## STEP: 9

Recommended routing for wiring is along the top edge of the roof line. Peel back the rubber seal for wire routing.



## STEP: 10

Insert the air dampener into the bottom fins located on the rear of the light to reduce wind noise.



**Wiring:** Wire your lights according to the instructions included with the light. Take care to avoid any heat sources and sharp or abrasive surfaces.

Your installation is now complete.  
**Welcome to the Rigid Nation!**

## WARRANTY INFORMATION

For warranty information, visit [www.rigidindustries.com/about/warranty](http://www.rigidindustries.com/about/warranty) 779 N Colorado St, Gilbert, AZ 85233 • 855-760-5337  
[www.rigidindustries.com](http://www.rigidindustries.com)

RIGID, SR-Series and Rigid Industries are registered and/or common law marks owned by JST Performance, LLC, a Delaware limited liability company d/b/a Rigid Industries.