

7929 Lincoln Ave. Riverside, CA 92504  
 Phone: 951.689.ICON Fax: 951.689.1016

PART #	DESCRIPTION
21025	07-UP JEEP WRANGLER JK ADJUSTABLE REAR TRACK BAR

COMPONENTS INCLUDED	
(1) 124003 JK REAR ADJUSTABLE TRACK BAR (1) 157520 L-R ADJUSTER SLEEVE (2) 217200 HEIM SPACER .565 X 1.625 (1) 219006 SLEEVE 1.000 X 14MM X 1.625	(1) 295511 JM12T ROD END (2) 297027 URETHANE BUSHING (1) 297036 URETHANE LOAD RING
HARDWARE INCLUDED	
(2) 605145 3/8-16 X 1.000 12 PT BOLT	(1) 605902 1/4-28 STRAIGHT ZERK FITTING
TOOLS REQUIRED	
TORQUE WRENCH CUTTING WHEEL (IF NECESSARY) BLACK SPRAY PAINT (IF NECESSARY)	21MM SOCKET / WRENCH 5/16" SOCKET / WRENCH 3/8" SOCKET WRENCH
TECH NOTES	
<p>1. IF USED WITH THE STOCK TRACK BAR BRACKET, TRIMMING IS REQUIRED.</p> <p>2. DO NOT EXCEED 2.000" ADJUSTMENT FROM THE CENTER OF THE ROD END TO THE EDGE OF THE TRACK BAR PINCH HOUSING. FAILURE CAUSED BY EXCESSIVE ADJUSTMENT WILL NOT BE COVERED UNDER ICON'S WARRANTY POLICY. REFER TO TECH NOTE PHOTO #2.</p>	

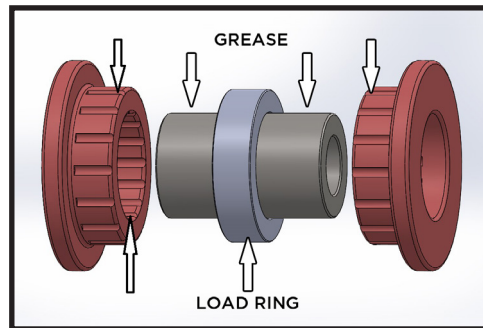


WARNING!
<p>** READ ALL INSTRUCTIONS THOROUGHLY FROM START TO FINISH BEFORE BEGINNING INSTALLATION! IF THESE INSTRUCTIONS ARE NOT PROPERLY FOLLOWED SEVERE FRAME, SUSPENSION AND TIRE DAMAGE MAY RESULT TO THE VEHICLE!</p> <p>** ICON VEHICLE DYNAMICS RECOMMENDS THAT YOU EXERCISE EXTREME CAUTION WHEN WORKING UNDER A VEHICLE THAT IS SUPPORTED WITH JACK STANDS.</p>

## INSTALLATION

1. Remove the stock track bar from the frame and axle using (2) 21mm. Vehicle may shift slightly.
2. Hand grease bushings prior to installing. When greasing bushings, try to fill all bushing veins with grease, with minimal grease on outside and inside surfaces. Also lightly grease inside rim and both ends of bushing. Lightly grease support ring. Push bushing into bushing housing, then turn over and put support ring in, then push the second bushing in. Lightly grease 1 end of the bushing sleeve and push in until flush with bushings. [FIGURE 1] FAILURE TO INSTALL LOAD RING WILL CAUSE DAMAGE TO THE BUSHINGS AND EXCESSIVE PLAY IN THE STEERING.

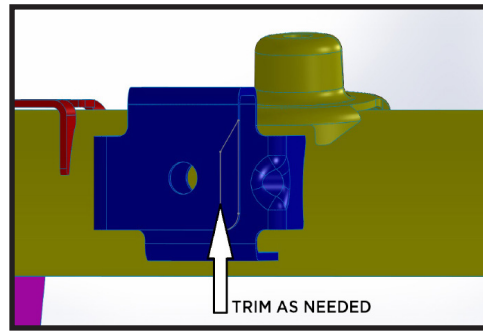
FIG.1



3. Install the supplied grease fitting into the bushing housing using a 5/16" [Tighten only until snug].
4. Using factory hardware, install the rear track bar using a 21mm [Torque to factory spec].

5. If installing in factory mount, the track bar bracket will need to be cleared. Some cutting is required. [FIGURE 2]

FIG.2



6. Paint exposed metal after trimming.

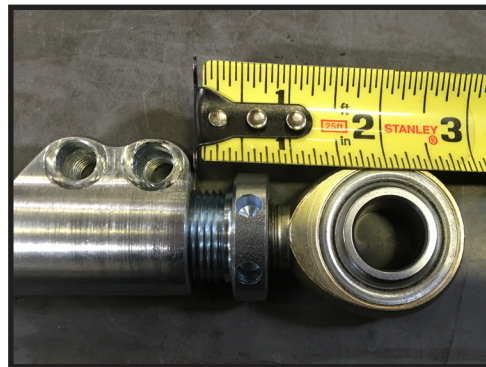
7. The rear track bar features a left/right adjusting collar for on vehicle adjustment. The adjustable end goes towards the axle using the factory hardware. The bend goes toward the rear, allowing for coil and differential clearance.

8. Once installed, the track bar can be adjusted to center the axle. Loosen the pinch bolts using a 3/8" 12pt. Turn collar to desired length. Line up the slit in the collar with the slit in the tube, apply blue thread locker to the pinch bolts and tighten in an opposing pattern. DO NOT OVERTIGHTEN! [Torque pinch bolts to 25 ft-lbs]

***VERIFY ALL FASTENERS ARE PROPERLY TORQUED BEFORE DRIVING VEHICLE.***

***RETORQUE ALL NUTS, BOLTS AND LUGS AFTER 100 MILES AND PERIODICALLY THEREAFTER.***

[TECH NOTE #2]



## **ICON VEHICLE DYNAMICS LIMITED LIFETIME WARRANTY**

ICON Vehicle Dynamics warrants to the original retail purchaser who owns the vehicle on which the product was originally installed. ICON Vehicle Dynamics does not warrant the product for finish, alterations, modifications and/or installation contrary to ICON Vehicle Dynamics instructions. ICON Vehicle Dynamics products are not designed, nor are they intended to be installed on vehicles used in race applications, for racing purposes or for similar activities. (A "race" is defined as any contest between two or more vehicles, or a contest of one or more vehicles against the clock, whether or not such contest is for a prize). This warranty does not include coverage for police or taxi vehicles, race vehicles, or vehicles used for government or commercial purposes. Also excluded from this warranty are sales outside of the United States of America and Canada.

ICON Vehicle Dynamics' obligation under this warranty is limited to the repair or replacement, at ICON Vehicle Dynamics' discretion, of the defective product. Any and all costs of removal, installation or re-installation, freight charges and incidental or consequential damages are expressly excluded from this warranty. Items that are subject to wear are not considered defective when worn and are not covered.

ICON Vehicle Dynamics components must be installed as a complete kit as shown in our current application guide. Any substitutions or exemptions of required components will immediately void the warranty. Some finish damage may happen to parts during shipping and is not covered under warranty.

This warranty is expressly in lieu of all other warranties expressed or implied. This warranty shall not apply to any product that has been improperly installed, modified or customized subject to accident, negligence, abuse or misuse.

# **ICON VEHICLE DYNAMICS**

PERFORMANCE SUSPENSION SYSTEMS AND SHOCK ABSORBERS

7929 Lincoln Ave. Riverside, CA 92504 Phone: 951.689.ICON Fax: 951.689.1016  
[www.iconvehicledynamics.com](http://www.iconvehicledynamics.com)



**FOLLOW US ON FACEBOOK!**

