



# OLD MAN EMU

## FITTING INSTRUCTIONS

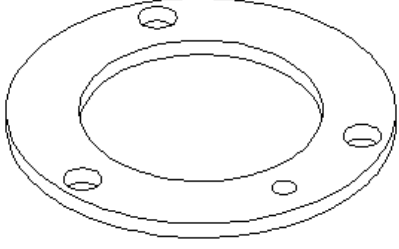
# FK94

## FORD RANGER PX3

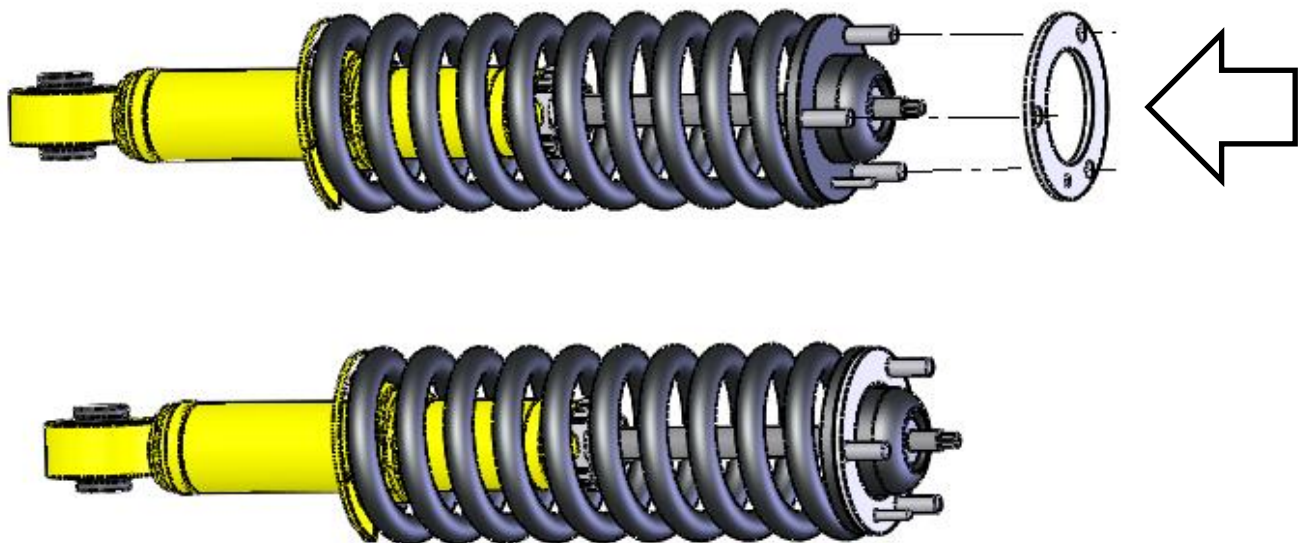
### PACKER STRUT 5MM

- Allows vehicle side to side trim or economical 10mm lift at the wheel when fitted to both sides
- Limit of one packer per side.

### KIT CONTENTS

Part No.	Description	Qty	Picture
5848485	PACKER STRUT PX3 RANGER	1	

Place trim packer on top of Strut Assembly Top Hat as shown below



27/09/2018