



Installation Instructions

Receiver Rack (Part # 7700)
Universal Application

NOTE: Carefully read entire instructions thoroughly before attempting to install this part.

Parts Included	Qty
2 " Draw Bar	1
Racks	2
Curved Support Bars	2
Connecting Plates	2
(Large) 10mm x 75mm Bolt	3
(Medium) 10mm x 25mm Bolt	4
(Large) 10mm Flat Washer	7
(Large) 10mm Lock Nut	7
(Small) 6mm x 18mm Bolt	12
(Small) 6mm Flat Washer	12
(Small) 6mm Lock Nut	12

Tools Needed
Ratchet
Socket Set
Wrench Set



**CAUTION: Never exceed the tongue weight capacity of your hitch.
Never exceed the weight limit of the Receiver Rack (500 LB's evenly distributed).**



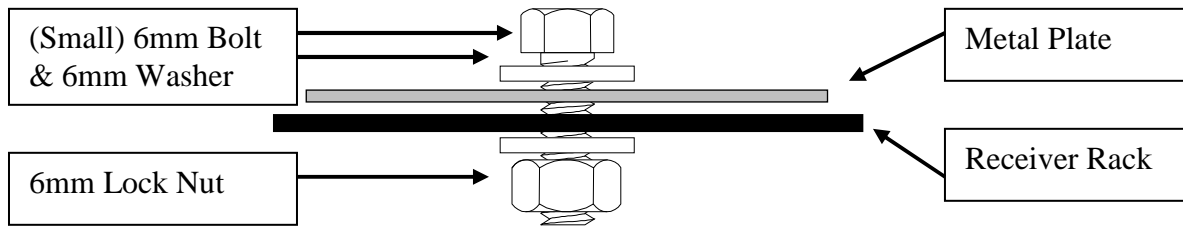
For Technical Support/Warranty Information please call 310-762-9944



Installation Instructions

Receiver Rack (Part # 7700)
Universal Application

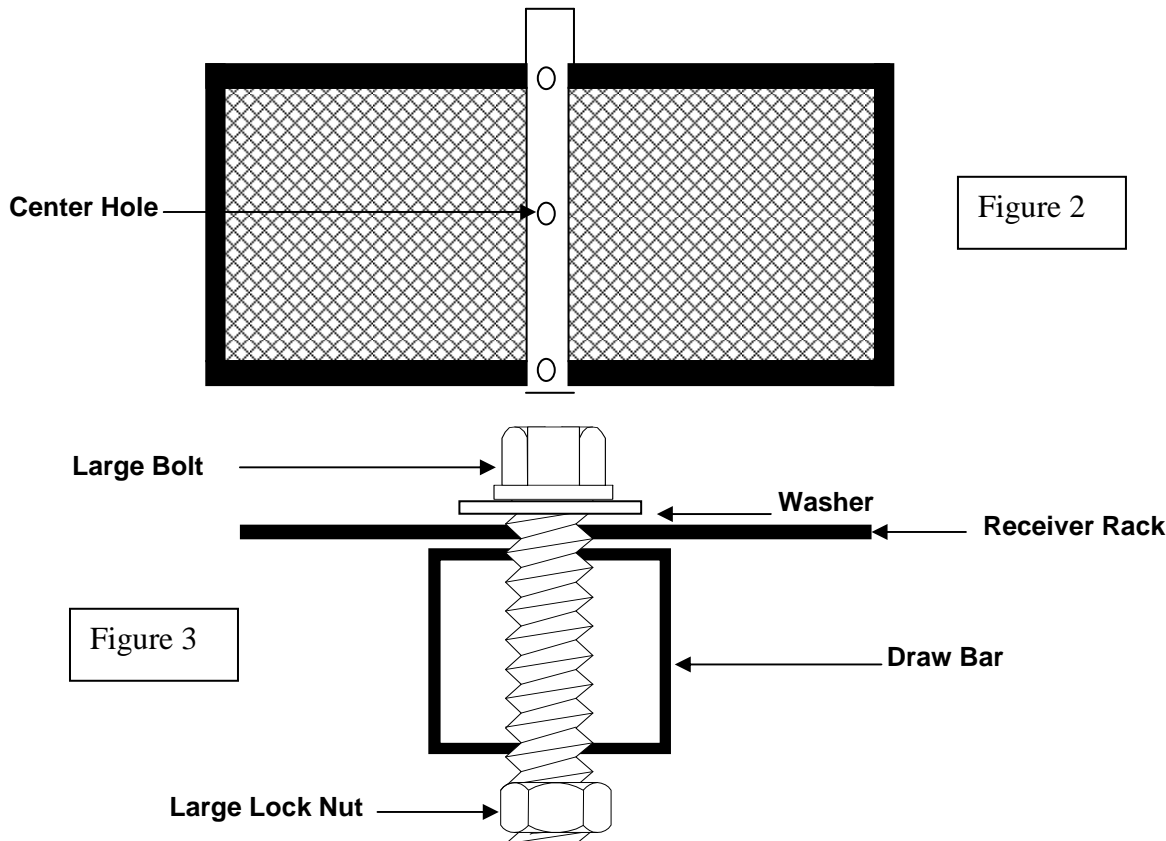
Step 1: Connect the two racks together by attaching the two plates to the outside of the racks using the (12) 6mm “Small” bolts, (12) 6mm flat washers and (12) 6mm lock nuts. (Fig 1)



(Figure 1)

Step 2: Tighten all bolts installed in Step1. Now locate the (3) holes down the center of the rack.

Step 3: Slide the drawbar under the rack and attach by inserting (1) “Large” 10mm x 75mm bolt, washer and lock nut into the center hole only. (Fig 2, 3)



For Technical Support/Warranty Information please call 310-762-9944



Installation Instructions

Receiver Rack (Part # 7700)
Universal Application

Step 4: Place the curved support bars on both sides under the drawbar. Insert the “Large” bolts through the remaining two outside holes through the rack, drawbar and the curved support bars. (Fig 4) Attach using the “Large” washers and nuts. Do not tighten completely at this time. (You may refer to Figure 3 for proper attachment.)

Step 5: Insert the “Medium” 10mm x 25mm bolt through the rack and ends of the curved support bar. Attach with “Large” washer and lock nut. Repeat this step at each location. (Fig 4)

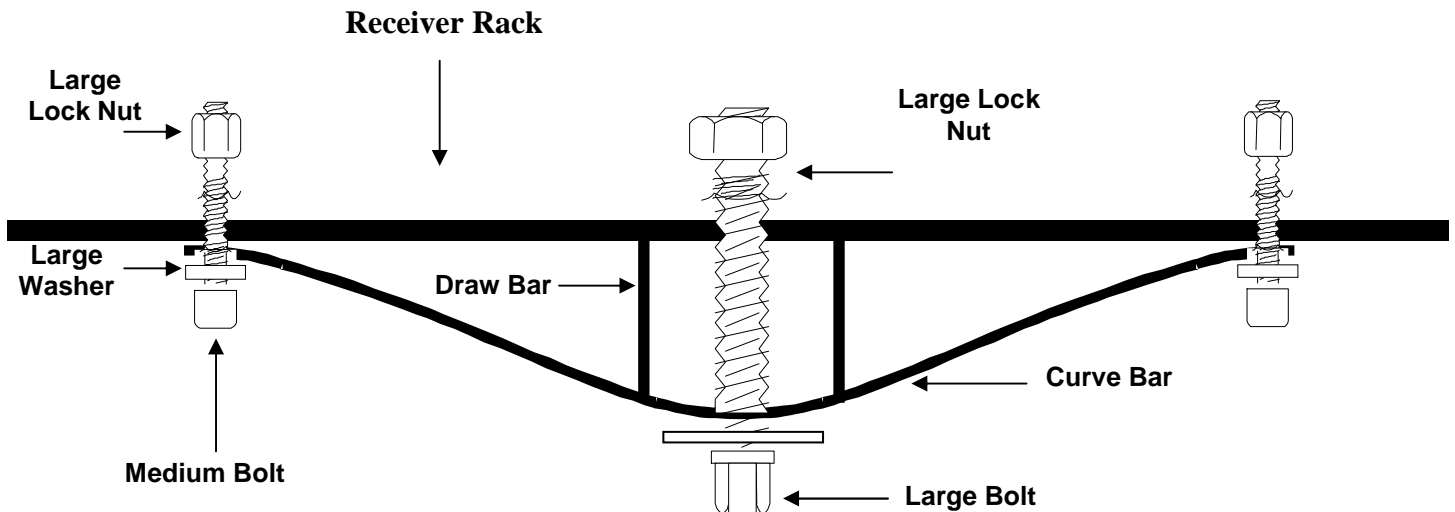


Figure 4

Step 6: Tighten all bolts at this time. Installation is now complete.



CAUTION: Ensure all Bolts and Nuts are secure and tightened prior to departure. Always secure your cargo with some type of tie down system to ensure that cargo does not fall off the Receiver Rack. Do not put valuables or any other items on the Receiver Rack that could be damaged by adverse weather or road debris.

For Technical Support/Warranty Information please call 310-762-9944

Smittybilt, 400 West Artesia Blvd, Compton CA 90220



Installation Instructions

Receiver Rack (Part # 7700)

Universal Application

Receiver Rack Installation

Step 1: Insert the Receiver Rack into the receiver hitch of the vehicle.

Step 2: Use a certified Hitch Pin and Clip (not included) to mount the Receiver Rack to your hitch receiver.
WARNING: You must secure the Receiver rack to the receiver hitch of your vehicle with a certified hitch pin and clip. Failure to do so may cause injury and damage to your vehicle, other vehicles and cargo.

WARRANTY

Smittybilt (The Company) warrants to the original purchaser of this product that should the product or any part thereof, under normal use and conditions, be proven defective in material or workmanship within the warranty period of 90 DAYS from the date of purchase, such defect(s) will be repaired or replaced (At the Company's option) without charge for parts or labor. To obtain repair or replacement within the terms of the warranty, the product is to be delivered with proof of warranty coverage (e.g. dated bill of sale, receipt), specification of defect, freight pre-paid with Returns Good Authorization Number from Smittybilt to place of purchase. Items returned to Smittybilt Automotive without an Returns Authorization Number will be refused and returned to sender at the senders expense.

This warranty does not apply to any product or part thereof which, in the opinion of the Company, has suffered or been damaged through alteration, improper installation, mishandling, misuse, neglect accident or acts of nature. **THE EXTENT OF THE COMPANY'S LIABILITY UNDER THIS WARRANTY IS LIMITED TO THE REPAIR OR REPLACEMENT PROVIDED ABOVE AND, IN NO EVENT, SHALL THE COMPANY'S LIABILITY EXCEED THE PURCHASE PRICE PAID BY THE PURCHASER FOR THIS PRODUCT.**

This warranty is in lieu of all expressed warranties and liabilities. ANY IMPLIED WARRANTIES, INCLUDING ANY IMPLIED WARRANTY OF MERCHANTABILITY SHALL BE LIMITED TO THE DURATION OF THIS WRITTEN WARRANTY. ANY ACTION FOR BREACH OF ANY WARRANTY HEREUNDER INCLUDING ANY IMPLIED WARRANTY OF MERCHANTABILITY MUST BE BROUGHT WITHIN A PERIOD OF 90 DAYS FROM DATE OF ORIGINAL PURCHASE. IN NO CASE SHALL THE COMPANY BE LIABLE FOR ANY CONSEQUENTIAL OR INCIDENTAL DAMAGES FOR BREACH OF THIS OR ANY OTHER WARRANTY, EXPRESSED OR IMPLIED, WHATSOEVER. No person or representative is authorized to assume for the company any liability other than expressed herein in connection with the sale of this product. Some states do not allow limitations on how long an implied warranty lasts or the exclusion or limitation of incidental or consequential damage, therefore above limitations may not apply to you. This warranty gives the purchaser specific legal rights. The purchaser may have additional rights, which vary from state to state.

For Technical Support/Warranty Information please call 310-762-9944

Smittybilt, 400 West Artesia Blvd, Compton CA 90220



Installation Instructions
Receiver Rack (Part # 7700)
Universal Application

Some states do not allow limitations on how long an implied warranty lasts or the exclusion or limitation of incidental or consequential damage, therefore above limitations may not apply to you. This warranty gives the purchaser specific legal rights. The purchaser may have additional rights, which vary from state to state.

For Technical Support/Warranty Information please call 310-762-9944

Smittybilt, 400 West Artesia Blvd, Compton CA 90220



Installation Instructions
Receiver Rack (Part # 7700)
Universal Application

For Technical Support/Warranty Information please call 310-762-9944

Smittybilt, 400 West Artesia Blvd, Compton CA 90220