



Installation Instructions

License plate bracket

Product Number: M2250 AND M2350

For application with the Vengeance bumper line

SAFETY

Your safety and the safety of others is very important.

- In order to help you make informed decisions about safety, we have provided installation instructions and other information.
- These instructions alert you to potential hazards that could hurt you or others.
- Please do a job safety analysis (JSA) before each task to identify potential hazards for your situation and remove/protect against them.
- You must use your own good judgment, and take your time.

Read and understand all safety precautions and instructions before installing this product.

THIS PRODUCT IS FOR OFFROAD USE ONLY. ALL LIABILITY FOR INSTALLATION AND USE RESTS WITH THE OWNER.

CARELESS INSTALLATION AND OPERATION CAN RESULT IN SERIOUS INJURY OR EQUIPMENT DAMAGE.

Injury hazard

Failure to observe these instructions could lead to severe injury or death.

- Always** remove jewelry and wear eye protection.
- Always** use extreme caution when jacking up a vehicle for work. Set emergency brake and use tire blocks. Locate and use the vehicle manufacturers designated lifting points. Use jack stands.
- Always** use appropriate and adequate care in lifting components into place.
- Always** insure components will remain secure during installation and operation.
- Always** wear safety glasses when installing this kit. A drilling operation will cause flying metal chips. Flying chips can cause serious eye injury.
- Always** use extreme caution when drilling on a vehicle. Thoroughly inspect the area to be drilled (on both sides of material) prior to drilling, and relocate any objects that may be damaged.
- Always** use extreme caution when cutting and trimming during fitting.
- Always** tighten all nuts and bolts securely per installation instructions.
- Always** route electrical cables carefully. Avoid moving parts, components that become hot and rough or sharp edges.
- Always** insulate and protect all exposed wiring and electrical terminals.
- Always** perform regular inspections and maintenance on mounts and related hardware.





Installation Instructions

License plate bracket

Product Number: M2250 AND M2350

For application with the Vengeance bumper line

Overview

Congratulations on your new purchase of the Vengeance License plate bracket accessory. This license plate bracket was designed in conjunction with the Vengeance line to provide a stylish and strong solution to mount your front license plate.

Your license plate bracket was designed in 3-D from digitized data, CNC laser cut, fabricated, and powder coated... all in the U.S.A. Enjoy the fit and finish of a quality Vengeance front bumper and License plate bracket from Fab Fours, Inc.

WARNING: This product was designed to be used with the Fab Fours Vengeance front bumpers ONLY.

I. Tools Required

- 3/4" Wrenches and sockets
- Socket wrench and short extension
- Phillips head screwdriver

II. License plate bracket Installation

1. Using the provided 1/2" hardware, attach the License plate bracket using the provided holes in the bottom flange of the bumper. Space the top of the bracket 1/8" off the front bumper.
2. Mount your License plate and use the two provided 1/4" hardware to attach it.



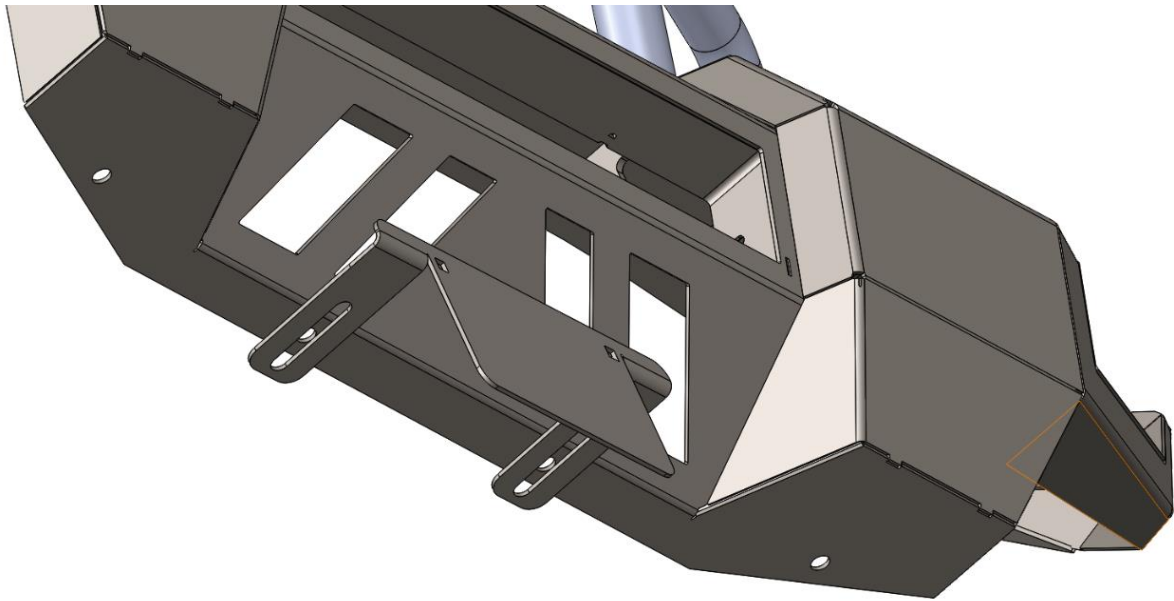
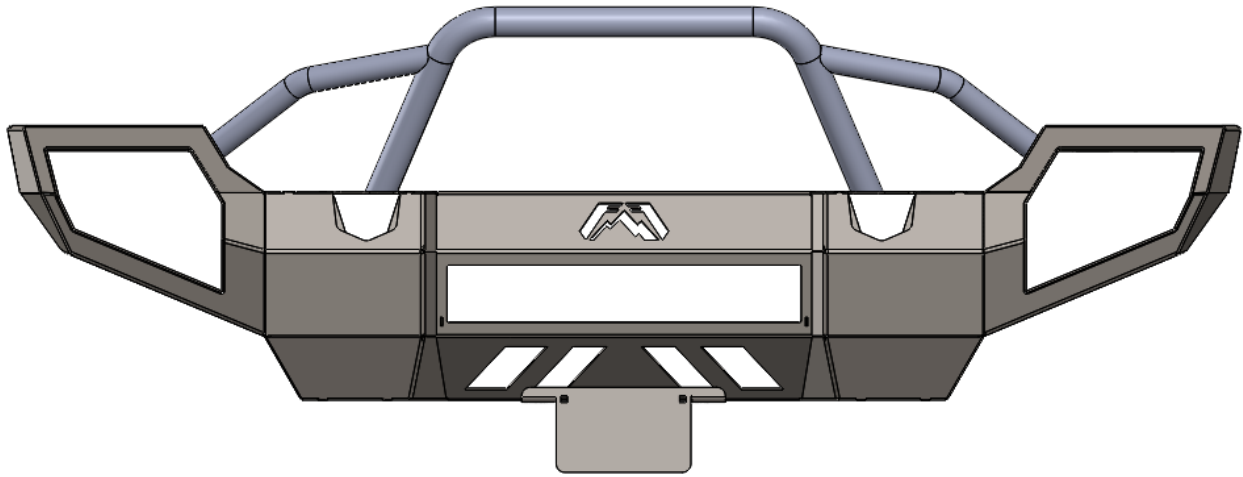


Installation Instructions

License plate bracket

Product Number: M2250 AND M2350

For application with the Vengeance bumper line





Installation Instructions

License plate bracket

Product Number: M2250 AND M2350

For application with the Vengeance bumper line

Maintenance/Care

- Periodically check and tighten all nuts.
- Stripped, fractured, or bent bolts or nuts need to be replaced.
- Periodically grease the tire carrier pivot.
- Periodically check the tension of the latch hook..

III.Contact Information

Fab Fours Inc.
1312 Camp Creek Rd.
Lancaster, SC 29720

Phone (866)-385-1905
Fax (970)-385-1914
Email Support@fabfours.com



More than expected... Better than expected.

