



Installation Instructions

Vengeance Front Bumper

Product Number: D3951, D3952
Application: 2016 GMC 1500

SAFETY

Your safety and the safety of others is very important.

- In order to help you make informed decisions about safety, we have provided installation instructions and other information.
- These instructions alert you to potential hazards that could hurt you or others.
- Please do a job safety analysis before each task to identify potential hazards for your situation and remove/protect against them.
- You must use your own good judgment, and take your time.

Read and understand all safety precautions and instructions before installing this product.

**THIS PRODUCT IS FOR OFFROAD USE ONLY. ALL LIABILITY FOR
INSTALLATION AND USE RESTS WITH THE OWNER.**

**CARELESS INSTALLATION AND OPERATION CAN RESULT IN SERIOUS INJURY
OR EQUIPMENT DAMAGE.**

**SENSORS' FIELD OF VIEW WILL BE ALTERED WITH USE OF THE
REPLACEMENT BUMPER.**

Injury hazard

Failure to observe these instructions could lead to severe injury or death.

- Always remove jewelry and wear eye protection.
- Always use extreme caution when jacking up a vehicle for work. Set emergency brake and use tire blocks. Locate and use the vehicle manufacturers designated lifting points. Use jack stands.
- Always use appropriate and adequate care in lifting components into place.
- Always insure components will remain secure during installation and operation.
- Always wear safety glasses when installing this kit. A drilling operation will cause flying metal chips. Flying chips can cause serious eye injury.
- Always use extreme caution when drilling on a vehicle. Thoroughly inspect the area to be drilled (on both sides of material) prior to drilling, and relocate any objects that may be damaged.
- Always use extreme caution when cutting and trimming during fitting.
- Always tighten all nuts and bolts securely per installation instructions.
- Always route electrical cables carefully. Avoid moving parts, components that become hot and rough or sharp edges.
- Always insulate and protect all exposed wiring and electrical terminals.
- Always perform regular inspections and maintenance on mounts and related hardware.





Installation Instructions

Vengeance Front Bumper

Product Number: D3951, D3952

Application: 2016 GMC 1500

I. Overview

Congratulations on your new purchase of the industries' best and most stylish front bumper available for the 2016 GMC 1500. This bumper has been engineered for strength while keeping the weight down.

Your front bumper designed in 3-D from digitized data, CNC laser cut, fabricated, and powder coated... all in the U.S.A.

Enjoy the fit and finish of a quality GMC 1500 Front Bumper from Fab Fours Inc.



Parts List

- D385X replacement bumper
- Instruction Manual

Tools Required

- Socket Wrench with Extension (Ratcheting wrenches may also be convenient)
- 7mm, 15mm, & 18mm Sockets and Box End Wrenches
- T15 torx
- Flathead Screwdrivers
- Floor jack and wood block.
- Panel clip removal tool ('Christmas tree fastener removal tool')

II. Removal of OEM Bumper

Note: Save all OEM parts until installation is complete!

- A. Open hood and locate push pins on radiator cover. Using a panel clip removal tool, pull the head of the push pins up, remove push pin and lift radiator cover off. This will allow access to top grille bolts. (Ref. Figure 1).

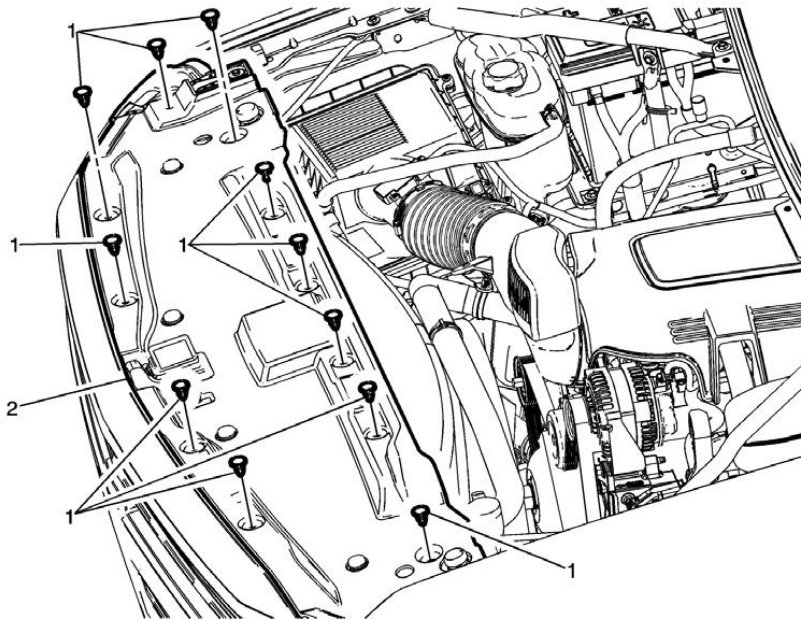


Figure 1

- B. Remove 6 bolts holding front wheel molding.**

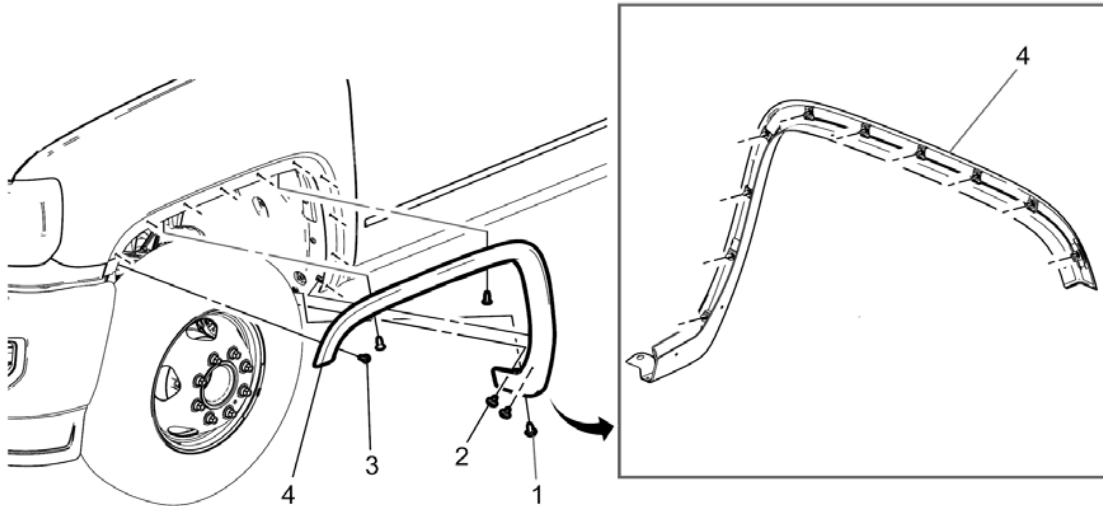


Figure 2

- C. Remove Front Bumper Fascia Trim Cap Bolts (indicated in Figure 3 callout 1) and then using a pick free front fascia (indicated in Figure 3 callout 2) and pull back wheel liner.**

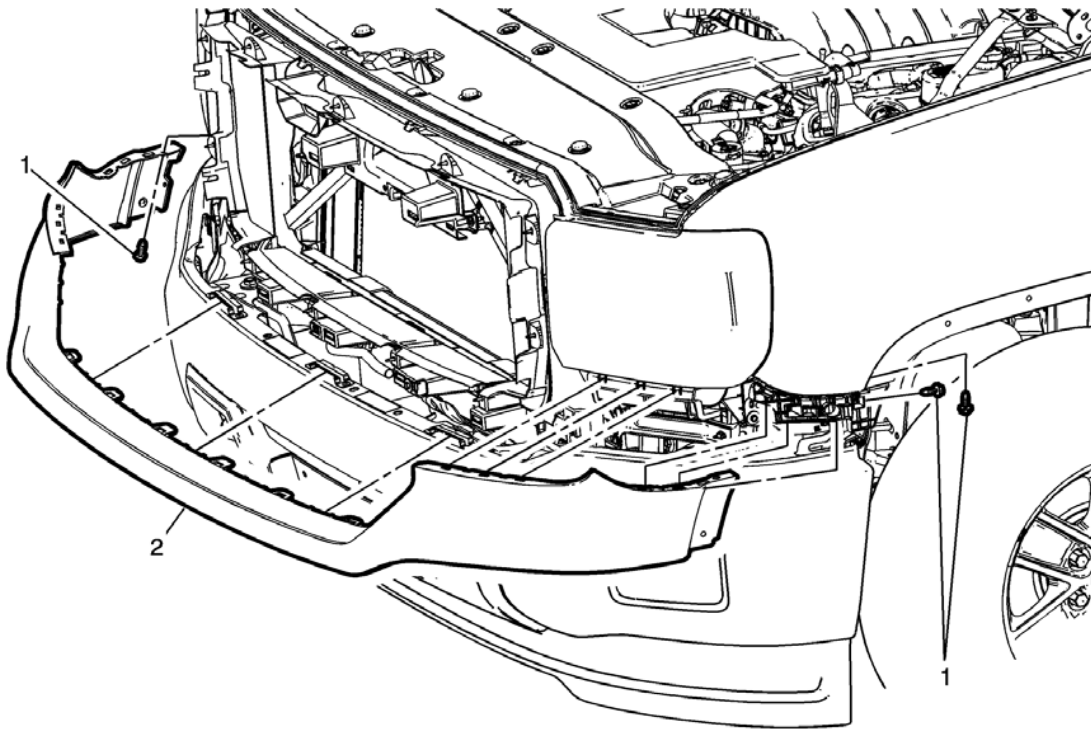


Figure 3

- D. Remove the fasteners connecting the grille to the frame. 8x15mm bolts, indicated by callouts 1. At this point 8 clips are holding the grille in place. Starting around either end of the grille carefully pull grille away from truck (Ref. Figure 4).

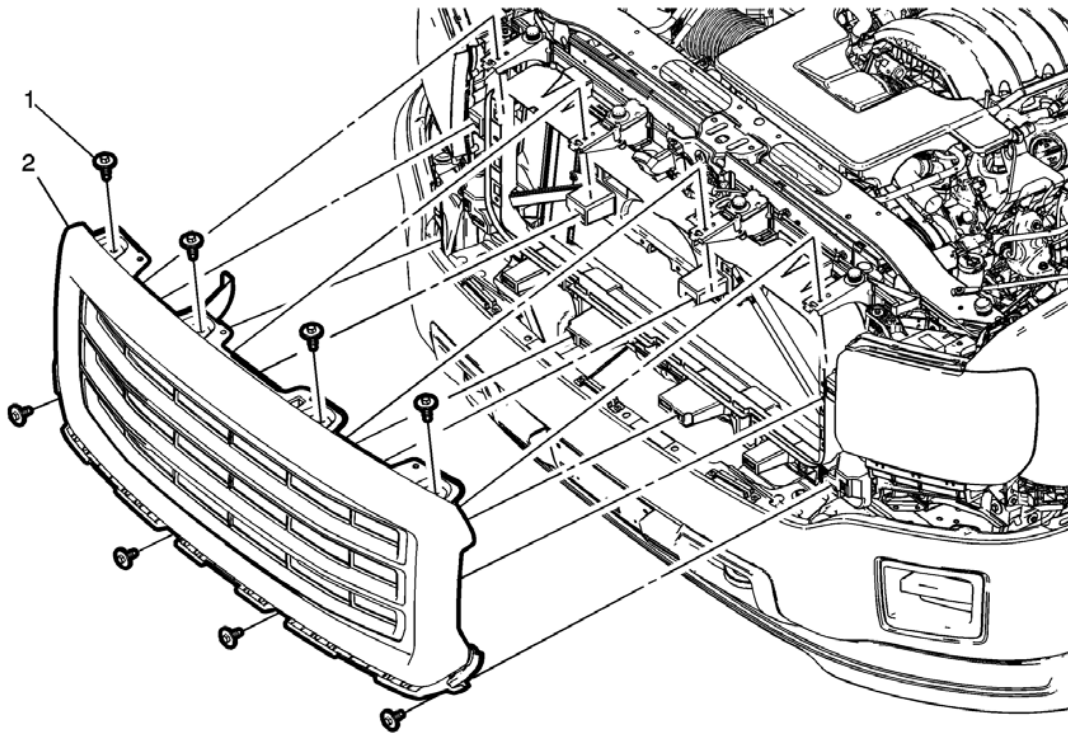


Figure 4

- E. Remove bumper support bar (ref 5a-c). Using 18mm socket remove the single bolt connecting bar to bumper and 15mm socket to remove 2 bolts connecting bar to frame. Remove the fasteners connecting the bumper to the bracket. Using a 18mm socket/wrench remove bolts from the top and bottom of bracket connected to the bumper (ref 3c). Pull bumper away from vehicle. Using 22mm socket remove forward facing bolts holding bracket to frame. Repeat process on each side of vehicle.



Figure 5a



Figure 5b



Figure 5c

- F.** Remove bolts securing tow hooks to frame. Location is indicated in image below by green rectangle (Ref. 4b).



Figure 4a

Figure 4b

- G.** Remove OEM electrical harness from bumper. Disconnect harness from fog lights and sensors. Pop out plastic clips holding harness to bumper on both sides and carefully pull away.

III. Pre-Installation

NOTE: PLEASE READ THE ENTIRE MANUAL BEFORE ATTEMPTING INSTALLATION! Ignoring these steps will increase your probability of scratching the vehicle during product installation.

- A. Remove the bumper from the shipping carton. Lay all items out on a blanket to prevent damage to the powder coating.

- B. Remove the sensors and sensor housings from your stock bumper. The sensors are removed by pressing outward on the tabs of the sensor housing (Figure 10, red arrows) and pulling away from the bumper. The sensor housing is then removed by pressing the **THREE** clips circled and push through the front of the bumper.



Figure 5a



Figure 5b

- K. Insert your stock housings into your Fab Fours bumper. Each sensor position **may change**. Sensors housing protrusion should match images below (Fig. 6a-d). Failure to insert these properly may result in errors with the parking assist features of your truck.



Figure 6A Inner Sensor Orientation



Figure 6B Inner Sensor Orientation



Figure 6C Outer Sensor



Figure 6D Outer Sensor



Installation Instructions

Vengeance Front Bumper

Product Number: D3951, D3952

Application: 2016 GMC 1500



- L. **After ensuring sensors work** in current orientation, epoxy should be applied to the housing on inside of bumper and allow to dry.

IV. Front Bumper Installation

- A. Mount bracket to truck frame. Three OEM bolts pass through the front of the frame and are indicated by the red boxes (Ref. 7a-b). All bolts should be hand tight to allow for adjustment.

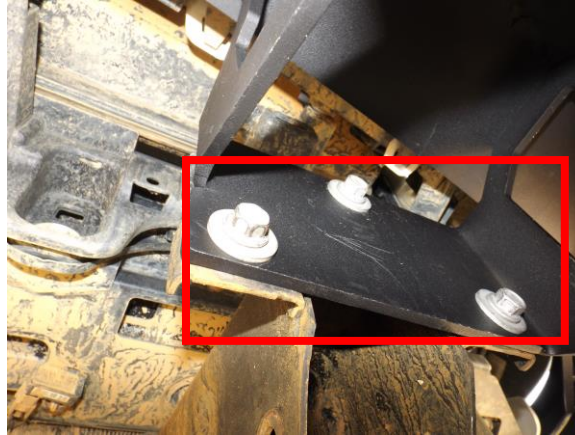


Figure 10a

- B. Mount bracket to bumper. With the help of at least two others, and possibly a floor jack, to support the center of the bumper, lift the Fab Fours bumper into place Do Not Fully Tighten, Hand Tighten Only!
- C. Align the bumper side to side and top to bottom to ensure a perfect fit to the truck. Allow greater than 1/4" of clearance to all painted surfaces if possible. This is to allow for frame flex!
- D. Fully tighten all fasteners between bumper and brackets as well as brackets and frame.
- E. Enjoy your new front replacement bumper from Fab Fours!



Installation Instructions

Vengeance Front Bumper

Product Number: D3951, D3952

Application: 2016 GMC 1500

Maintenance/Care

- Periodically check and tighten all fasteners.
- Stripped, fractured, or bent bolts or nuts need to be replaced.
- After washing of the vehicle make sure to fully dry all surfaces.

V. Contact Information

Fab Fours Inc.
1312 Camp Creek Rd
Lancaster, SC 29720

Phone (866)-385-1905
Fax (866)-574-1424
Email Support@fabfours.com



More than expected... Better than expected

