

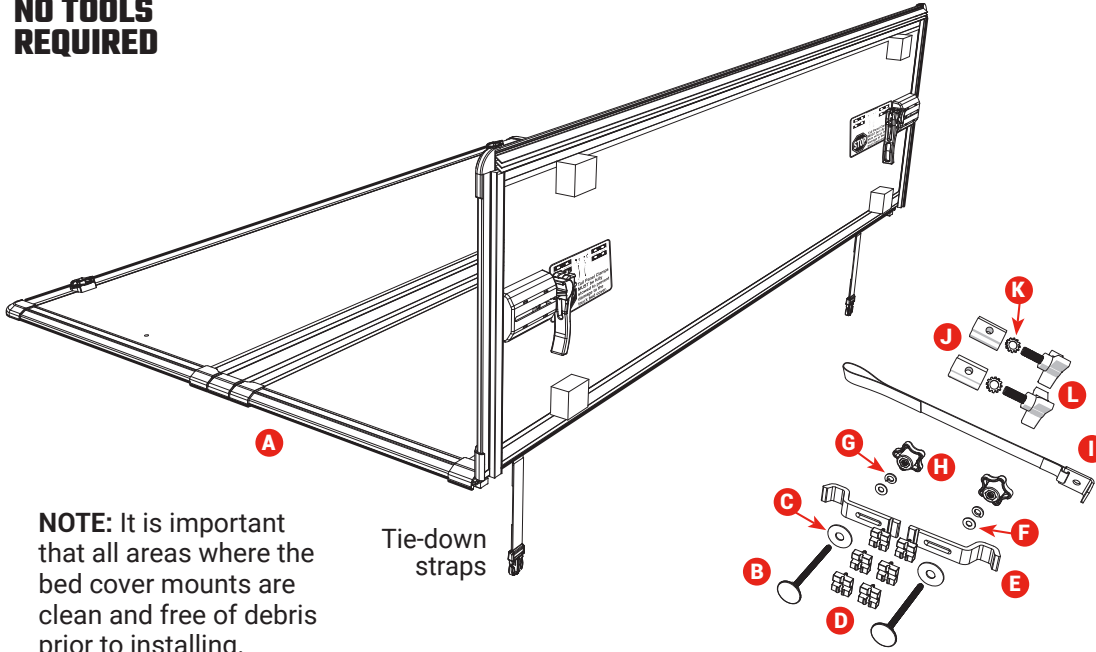


# INSTALLATION SHEET

**Any damaged or missing parts?**

Parts will be shipped to you directly. Call 800-222-7023 or visit [www.roughcountry.com](http://www.roughcountry.com)

**NO TOOLS  
REQUIRED**

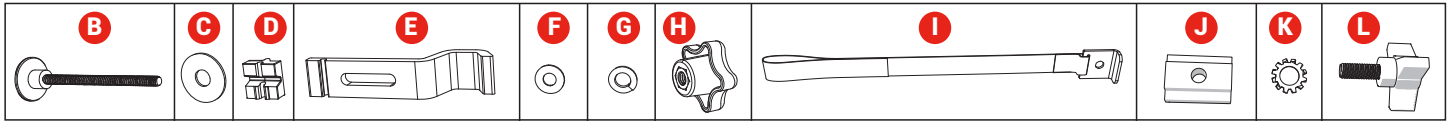


**PARTS INCLUDED  
IN YOUR KIT**

- A** Hard fold cover
- B** 2x Bolts
- C** 2x Rubber washers
- D** 6x Risers
- E** 2x Cab clamps
- F** 2x Steel washers
- G** 2x Split washers
- H** 2x Lock knobs
- I** 2x Tethers
- J** 2x Slide block
- K** 2x Lock washers
- L** 2x Tether knobs

**NOTE:** It is important that all areas where the bed cover mounts are clean and free of debris prior to installing.

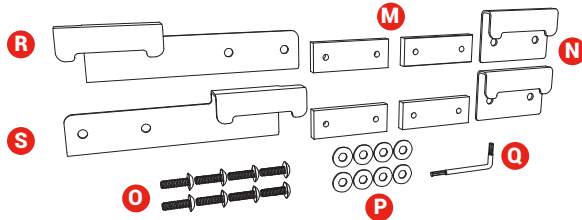
Tie-down straps



**NOTE:** Below is a supplemental installation kit needed for this specific vehicle application. Please follow the appropriate steps of this install sheet for your vehicle.

**TOYOTA TACOMA BRACKET KIT**

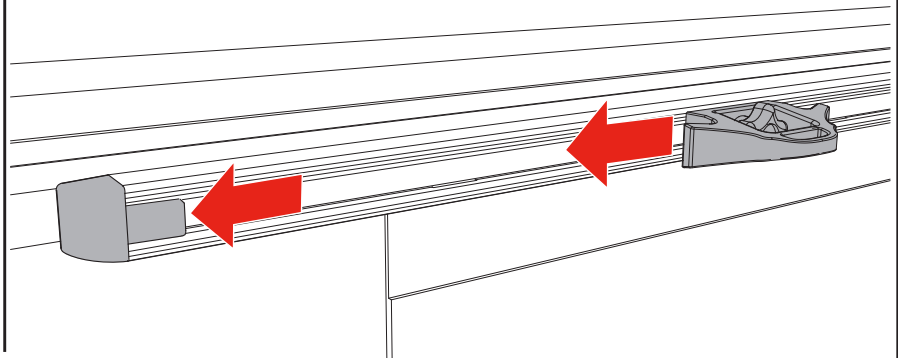
● 2016-2022 Tacoma

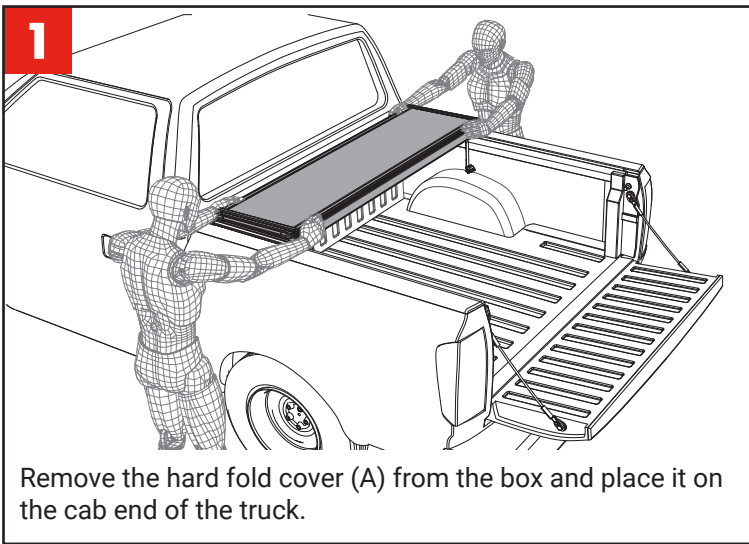


**PARTS INCLUDED  
IN YOUR HARDWARE KIT**

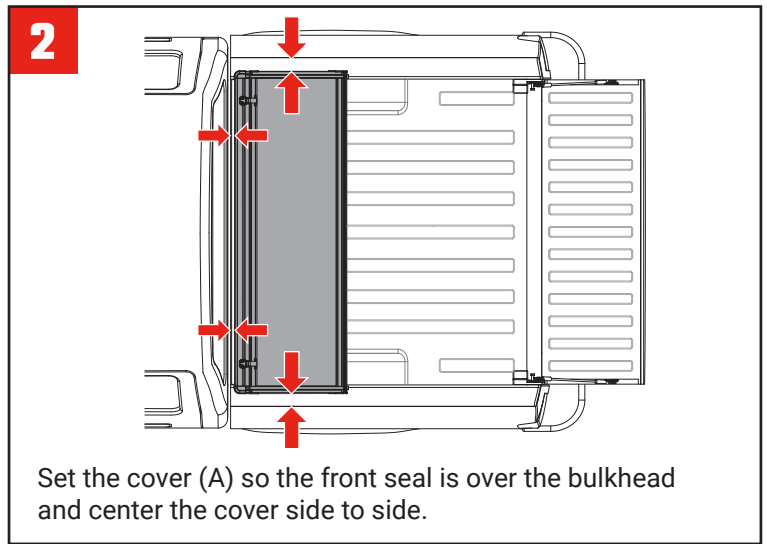
- M** 4x Slide nuts
- N** 2x Clamp brackets
- O** 8x Screws
- P** 8x Flat washers
- Q** 1x T27 Torx Key
- R** 1x Rear clamp bracket - driver side
- S** 1x Rear clamp bracket - passenger side

Before installing the cargo rail brackets, the factory rail end cap and any tie-down cleats need to be removed.

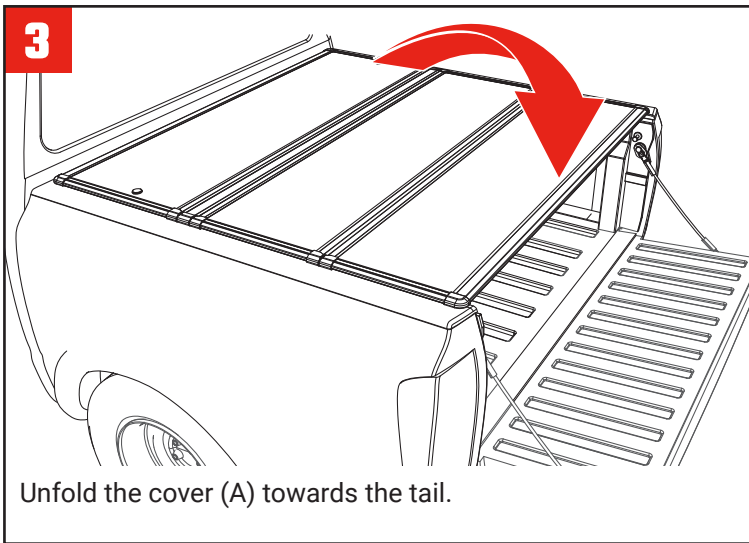




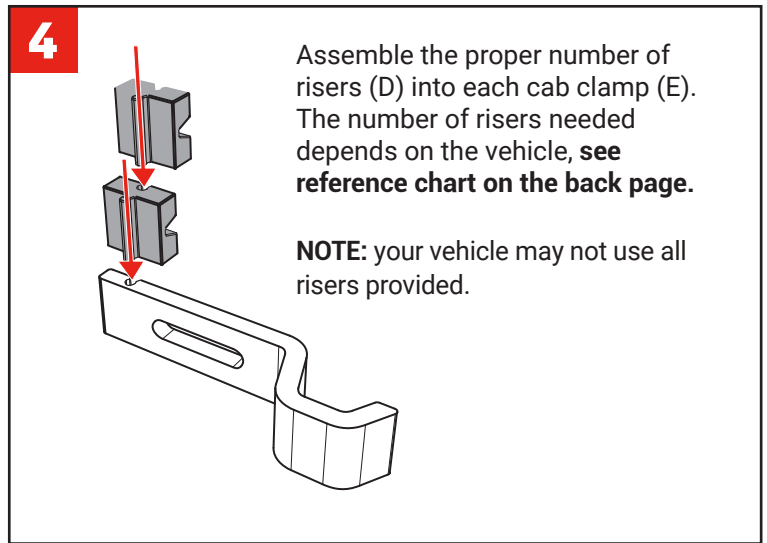
**1** Remove the hard fold cover (A) from the box and place it on the cab end of the truck.



**2** Set the cover (A) so the front seal is over the bulkhead and center the cover side to side.

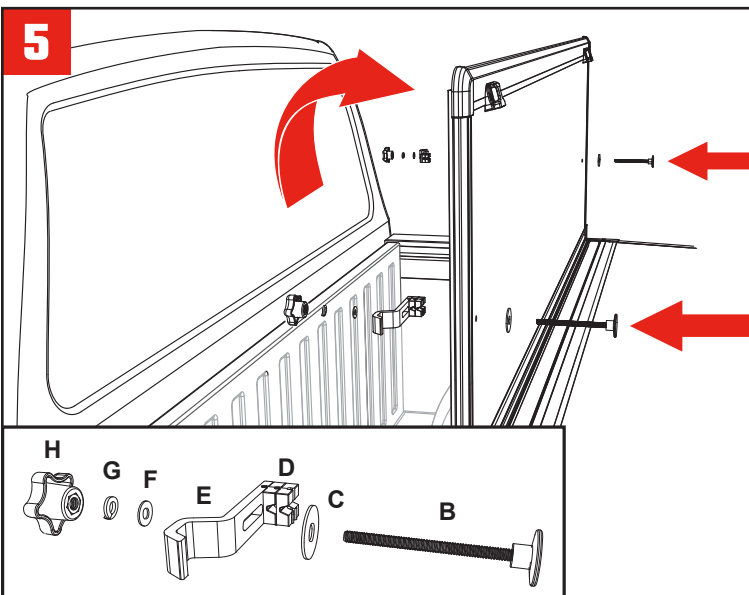


**3** Unfold the cover (A) towards the tail.

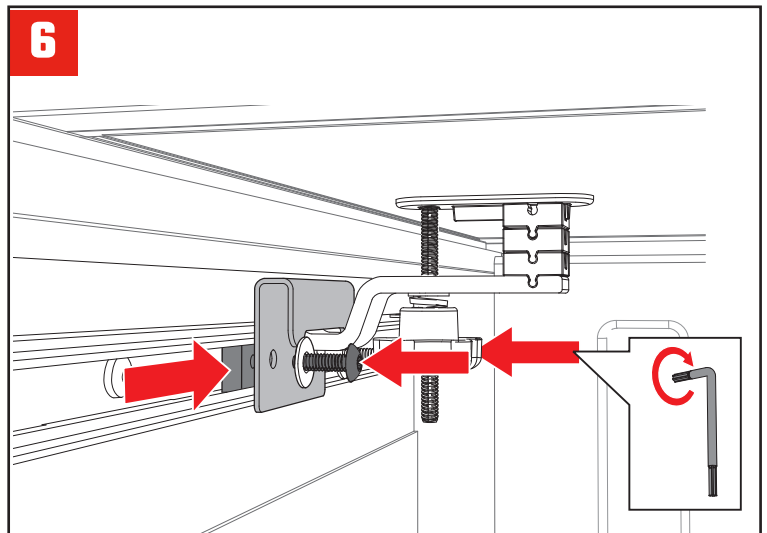


**4** Assemble the proper number of risers (D) into each cab clamp (E). The number of risers needed depends on the vehicle, **see reference chart on the back page.**

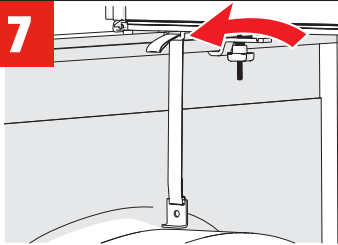
**NOTE:** your vehicle may not use all risers provided.



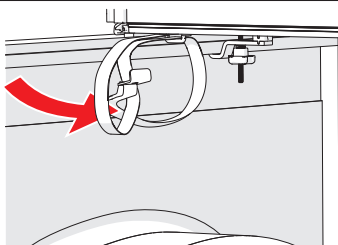
**5** Fold back the cab panel and assemble the cab clamp (E) through the lifted panel. Start with the bolt (B) and rubber washer (C) through the top side of the panel. Followed by the cab clamp (E) with risers, then the steel washer (F), split washer (G), and finally the lock knob (H) through the underside. Repeat on the opposite side of the truck bed.



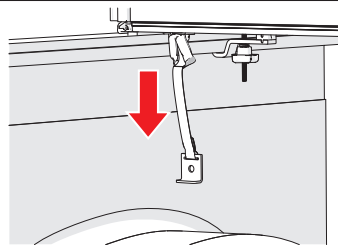
**6** Fold the cover open to access the cab clamps (E). Insert the slide block (J) into the end of the factory cargo rail, slide it to the front. Attach the front clamp bracket (N) to the slide block (J) using the screws (O) and washers (P). Align the clamp bracket (N) with the cab clamp (E) and tighten the screws (O) with the T27 Torx wrench (Q). Tighten the lock knob (H). Repeat the steps on both sides of the bed. **Snug firmly but do NOT overtighten.** Reinsert any tie-down cleats in desired positions.

**7**

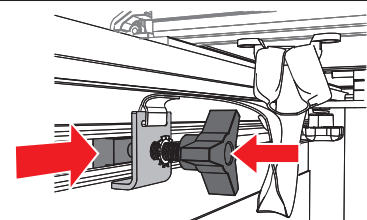
Attach the tether (I) by threading the loop end of the tether through the cleat under the cab panel.



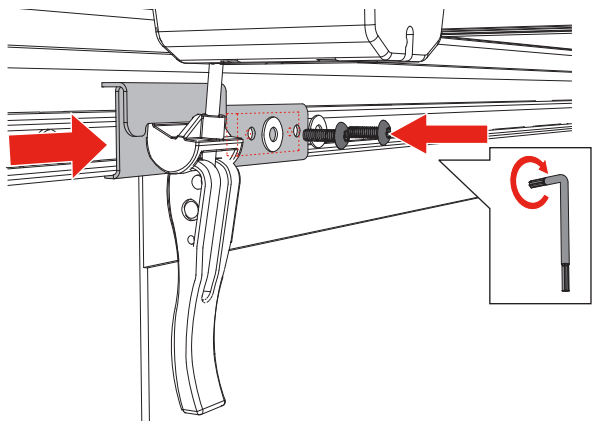
Then thread the clamp end of the tether through the loop end of the tether.



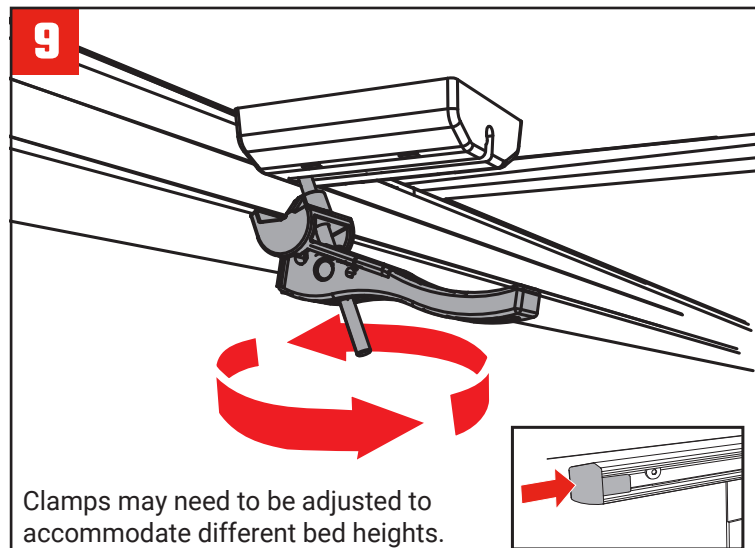
Pull the clamp down to tighten the knot. Make sure that the tether strap is tight around the cleat.



Slide the slide block (J) into the end of the factory cargo rail, slide it to the front. Attach the bracket on the end of the tether strap (I) to the slide nut (M) with a lock washer (K) and the knob (L). Tighten the knob. Repeat these steps on both sides of the bed.

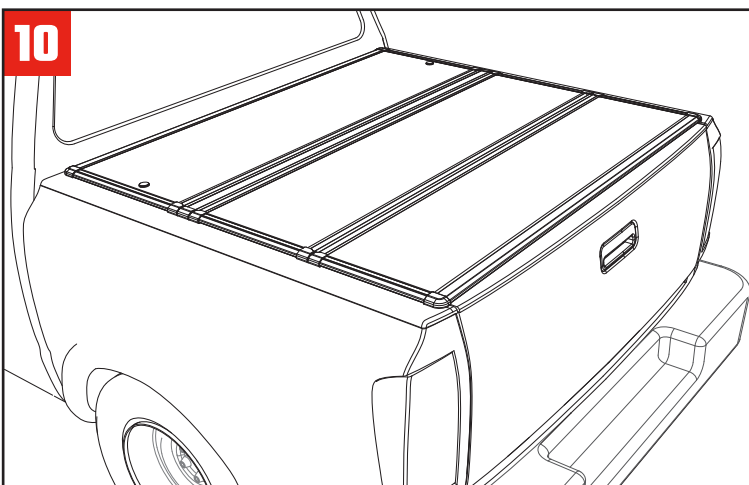
**8**

Fully close the cover. Slide the slide block (J) into the end of the factory cargo rail, align the clamp bracket (N) with the tail clamp. Attach the rear clamp brackets (R & S) to the slide block (J) using the screws (O) and washers (P), tighten the screws (O) with the T27 Torx wrench (Q). Swing the tail clamp down to lock it to the clamp bracket (N). Repeat the steps on both sides of the bed.

**9**

Clamps may need to be adjusted to accommodate different bed heights. Clamp height can be adjusted by turning the clamps clockwise or counter-clockwise to move the clamp higher or lower as needed.

**NOTE:** Reinstall any factory rail end caps that were removed.

**10**

Close tailgate to check how cover fits and adjust as needed. To make changes, loosen the cab clamps (E) and shift the cover into the appropriate spot, then retighten the cab clamps.

**Snug firmly but do NOT overtighten.**

# IMPORTANT SAFE OPERATION AND USE

While driving, the cover must be completely flat with all latches and tethers secured  
OR completely folded up (all panels) and secured at the cab.  
**DO NOT DRIVE** with cover partially opened.

## TONNEAU COVER POSITIONS WHILE OPERATING VEHICLE

Prior to vehicle operation, the tonneau cover MUST be properly secured.

### CLOSED POSITION (FIG 1)

All panels must be closed and FULLY LATCHED ON BOTH SIDES of the cover.

### OPEN POSITION (FIG 2)

To drive with the cover in the open position, use the tie-down straps. Fold the cover forward and insert the clips into the cover clasps. Ensure that BOTH straps are fully inserted into the clasps, pull on the end of the strap to tighten.

## DO NOT ATTEMPT TO DRIVE WITH THE TAIL PANEL IN THE PARTIALLY OPEN POSITION!

## ADDITIONAL IMPORTANT OPERATING TIPS

- Tonneau cover MUST be free of foreign material including snow and ice before opening panels.
- Do NOT tow your vehicle from the rear with the tonneau on your truck.
- Do NOT operate vehicle with objects on top of cover.



Remove any snow or foreign matter before folding cover.



Do NOT tow your vehicle from the rear with this cover on your truck.

## FAILURE TO FOLLOW THESE CAUTIONS MAY RESULT IN SEVERE DAMAGE AND WILL VOID YOUR WARRANTY!

## WARRANTY

Rough Country warrants your hard folding cover to be structurally free from defects in material and workmanship for 3 years from the retail date of purchase. Warranty registration must be on file and/or proof of original purchase (detailed and dated receipt) required for warranty service. Warranty is nontransferable and applies to the original purchaser of the Rough Country product only.

Rough Country reserves the right to determine whether a product needs to be repaired or replaced. No labor or service allowance is given or implied. The warranty will be void if the product has been damaged by accident, unreasonable use, neglect, improper service/installation/removal, modifications, acts of God or normal wear and tear or other causes not arising out of defective materials or workmanship. Rough Country assumes no liability for injury, loss, incidental or consequential damages. Rough Country reserves the right to substitute an entire replacement system or provide other remedies than those listed in this warranty for discontinued products or other reasons. Shipping charges will apply for any repair or replacement.

Rough Country is committed to providing you with our best service at all times. Please feel free to contact us should you require any assistance with your Rough Country product.

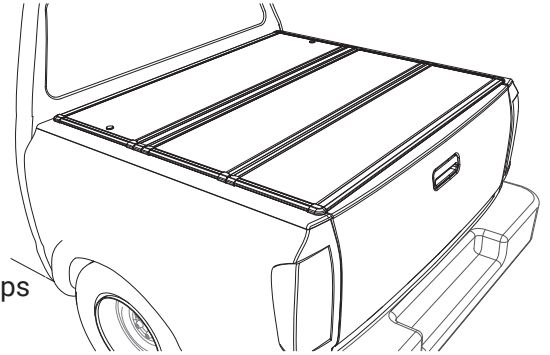


FIG 1 - CLOSED POSITION

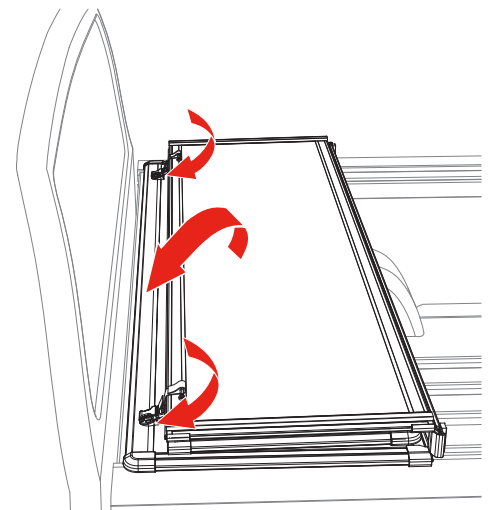


FIG 2 - OPEN POSITION

## CARE AND MAINTENANCE

This tonneau is made from durable materials and requires simple care to ensure a long life of performing well and looking great.

### CLEANING THE TOP (WASHING)

Standard automotive soap and water with a soft sponge or cloth is recommended for cleaning. Shabby dry to keep the finish polished and brilliant. Wax is NOT recommended as it tends to fill in cracks and crevices, which may affect the panel finish. Do NOT use any harsh cleaners or abrasives.

### MAINTENANCE

It is recommended that you periodically check your cover is securely attached to your truck bed. Inspect the clamps and tethers to ensure they were properly installed and have not come loose or knocked out of adjustment during operation. Covers that are used with high frequency or that are subject to the vibrations and impact from rough roadways can cause the cover to require adjustment.

## RISER CHART - FROM STEP 4

The number of risers needed depends on the vehicle, see the chart below for reference. *Please note your vehicle may not use all the risers provided.*

MAKE/MODEL	YEAR	QUANTITY OF RISERS PER SIDE
<b>CHEVY</b>		
Silverado/ Sierra 5.8' Bed	99-13	2
Silverado/ Sierra 6.5' Bed	99-13	2
Silverado / Sierra 5.8 Bed	14-19	3
Silverado / Sierra 6.5 Bed	14-19	3
Silverado / Sierra 5.8 Bed	19-22	3
Silverado / Sierra 6.5 Bed	19-22	3
Silverado / Sierra HD 6.9 Bed	20-22	3
<b>FORD</b>		
F-150 5.5 Bed	04-14	3
F-150 6.5 Bed	04-14	3
F-150 5.5 Bed	15-20	2
F-150 6.5 Bed	15-20	2
F-150 5.5 Bed	21-22	2
F-150 6.5 Bed	21-22	2
Super Duty 6.9 Bed	08-16	3
Super Duty 6.9 Bed	17-22	2
Maverick	2022	3
<b>JEEP</b>		
Gladiator	20-22	1
<b>NISSAN</b>		
Frontier 5 ft Bed W/ Factory Cargo Management System	05-22	3
Frontier 6 ft Bed W/ Factory Cargo Management System	05-22	3

MAKE/MODEL	YEAR	QUANTITY OF RISERS PER SIDE
<b>RAM</b>		
Ram 5.7 Bed (Classic for 19-21 only. Does not fit RamBox)	09-22	1
Ram 6.4 Bed (Classic for 19-21 only. Does not fit RamBox)	02-22	2
Ram New Body 1500 Crew Cab 5.7 ft Bed (Does not fit RamBox) Fits W/ Multifunction Tailgate	19-22	2
Ram New Body Quad/Mega Cab 6.4 ft Bed (Does not fit RamBox)	19-22	2
<b>TOYOTA</b>		
Tundra 5.5 Bed W/O Factory Toyota Cargo Mgmt System	07-22	1
Tundra 5.5 Bed W/ Factory Toyota Cargo Mgmt System	07-22	3
Tundra 6.5 Bed W/O Factory Toyota Cargo Mgmt System	07-22	1
Tundra 6.5 Bed W/ Factory Toyota Cargo Mgmt System	07-22	3
Tacoma Double Cab 5 ft Bed	16-22	3
Tacoma Reg/ Ext Cab 6 ft Bed	16-22	3