



OPEN FENDER MANUAL

2018

INSTALLATION INSTRUCTIONS

OPEN FENDER SYSTEM

PRODUCT NUMBER: TF3000

APPLICATION: 2016-2018 CHEVY HD 2500-3500



IMPORTANT SAFETY GUIDE

Your safety and the safety of others is very important.

In order to help you make informed decisions about safety, we have provided the following warnings, safety precautions, installation instructions, and other important information to alert you to potential hazards that could hurt you or others.

Please do a job safety analysis before each task to identify potential hazards for your situation and remove/protect against them. Use own good judgment and take your time. Check packaged materials immediately upon arrival to ensure that all listed parts are included and undamaged.

Read and understand all warnings, safety precautions, and instructions before installing this product

WARNINGS

FAILURE TO OBSERVE THE FOLLOWING WARNINGS AND INSTRUCTIONS PROVIDED IN THIS MANUAL COULD LEAD TO SEVERE INJURY AND/OR DEATH.

FOR PROFESSIONAL INSTALLATION ONLY. CARELESS INSTALLATION AND/OR OPERATION CAN RESULT IN SERIOUS INJURY, DEATH, AND/OR EQUIPMENT DAMAGE. ALL LIABILITY FOR INSTALLATION AND USE RESTS WITH THE USER OR CONSUMER.

FAB FOURS, INC. ONLY APPROVES INSTALLING THIS PRODUCT ACCORDING TO THESE WRITTEN INSTRUCTIONS WITH THE HARDWARE PROVIDED. FAILURE TO INSTALL ACCORDING TO THESE INSTRUCTIONS WILL INVALIDATE THE WARRANTY. THIS INCLUDES, BUT IS NOT LIMITED TO, USING ALTERNATIVE INSTALLATION METHODS, HARDWARE, OR MATERIALS.

THIS PRODUCT IS FOR OFF ROAD USE ONLY.

SAFETY PRECAUTIONS

- Always remove jewelry and wear eye protection.
- Always use extreme caution when jacking up a vehicle for work. Set emergency brake and use tire blocks. Locate and use the vehicle manufacturers designated lifting points. Use jack stands.
- Always use appropriate and adequate care in lifting components into place.
- Always ensure components will remain secure during installation and operation.
- Always wear safety glasses when installing this kit. A drilling operation will cause flying metal chips.
- Flying chips can cause serious eye injury.
- Always use extreme caution when drilling a vehicle. Always disconnect power before welding.
- Thoroughly inspect the area to be drilled (on both sides of material when possible) prior to drilling, and relocate any objects that may be damaged.
- Always use extreme caution when welding a vehicle. Thoroughly inspect the area to be welded (on both sides of material when possible) prior to welding, and relocate any objects that may be a fire hazard. When welding in a cab, make sure the interior surfaces are covered (e.g., welding blanket) and a fire extinguisher is at hand.
- Always use extreme caution when cutting and trimming during fitting.
- Always tighten all nuts and bolts securely per installation instructions.
- Always route electrical cables carefully. Avoid moving parts, components that become hot, and rough or sharp edges.
- Always insulate and protect all exposed wiring and electrical terminals.
- Perform regular inspections and maintenance on mounts and hardware.
- Tire may rub at max turn or articulation.

TABLE OF CONTENTS

| | |
|---|----|
| SAFETY | 2 |
| DISCLAIMER | 2 |
| TABLE OF CONTENTS | 3 |
| A WORD FROM THE OWNER..... | 4 |
| HOW TO USE THIS MANUAL | 5 |
| CHAPTER 1: BEFORE WE START | 6 |
| PARTS LIST | 11 |
| TOOLS REQUIRED | 11 |
| ORGANIZATION | 11 |
| EASE OF ACCESS | 11 |
| CHAPTER 2: DISASSEMBLY & PREPARATION | 12 |
| CHAPTER 3: TEMPLATE MOUNTING | 20 |
| CHAPTER 4: CUTTING | 32 |
| CHAPTER 5: INSTALLATION - FENDER BASES..... | 40 |
| CHAPTER 6: INSTALLATION - ROCKER CHANNEL PLATES.... | 44 |
| CHAPTER 7: INSTALLATION - INNER FENDER..... | 46 |
| CHAPTER 8: INSTALLATION - FENDER FLARES | 48 |
| APPENDIX: APPLYING SEAL..... | 50 |
| CONTACT INFORMATION | 51 |



OWNER'S MESSAGE



Thank you for purchasing our Fab Fours "Open Fender Kit"... You are not just modifying your vehicle, but participating in evolving the future of all truck and Jeep customization with us! You chose this method of tire fitment for the same reason that I invested so much to create it - we both believe that the ultimate lift truck should have no lift at all! Low slung, wide stance, optimal CG, all come together to make the baddest looking, best riding, biggest tire fitting trucks on the planet! We have gone to great lengths to perfect this system, knowing the risks in cutting a brand new vehicle - please follow the instructions and videos carefully to ensure proper execution and you will be on your way soon with a #40sNolift truck!

Welcome to the family!

Ereg Higgs

FOUNDER, FAB FOURS

HOW TO USE THIS MANUAL



This technical manual is meant to be a comprehensive companion to online video resources. Few manuals offer a similar combination of hands-on information, color images, and video instruction. Our goal is to provide this comprehensive instruction in bite-sized and manageable chunks that an individual will feel comfortable using.

THIS IS NOT A REPLACEMENT FOR THE PROFESSIONAL SKILLS AND EXPERIENCE REQUIRED, BUT A SUPPLEMENTAL REFERENCE.



VIDEO GUIDED

Where ever this icon is located there are supplementary videos. These video will be given at the head of every section by an accompanying path name for locating them on the web site.



UNIQUE TOOLS & HARDWARE

Where ever this icon is located there are special tools required for installation.



MEASUREMENT

Where ever this icon is located it indicates a measurement or adjustment that is required at this stage in installation.



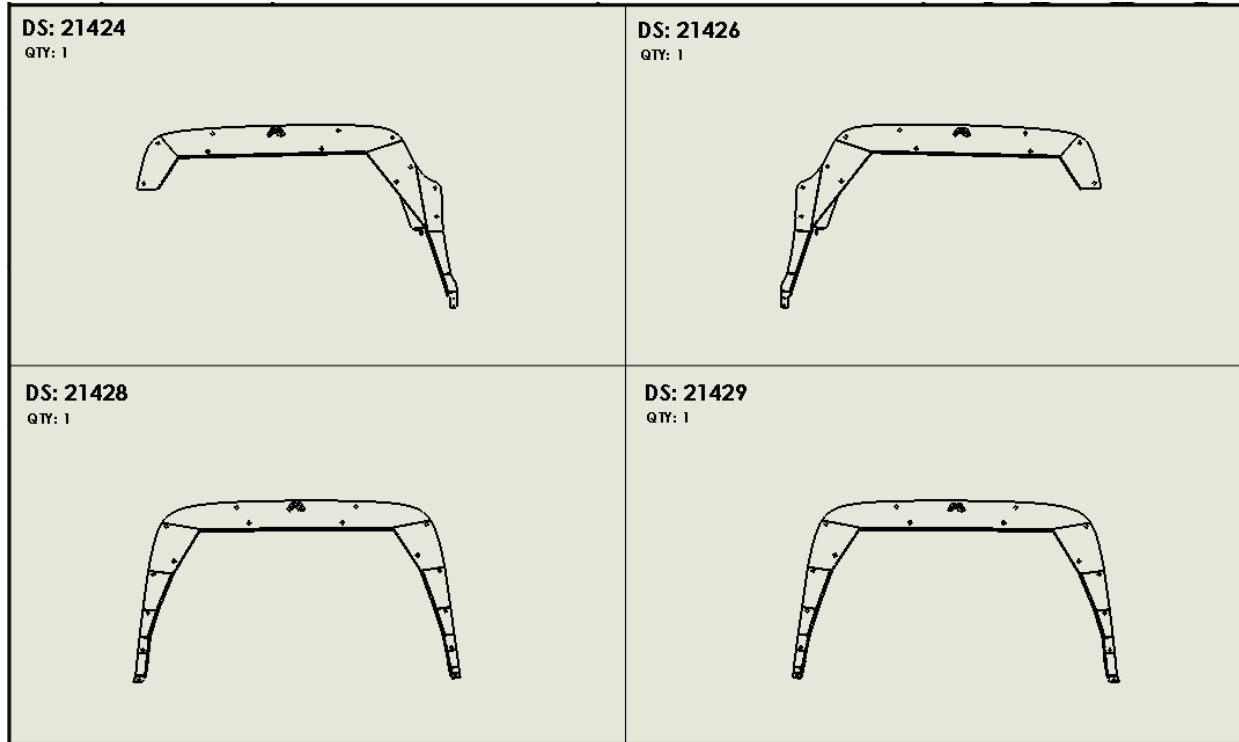
EXTRA CARE REQUIRED

Take care when executing the steps in this manual. Damage to part or vehicle could make installation more difficult and time consuming.

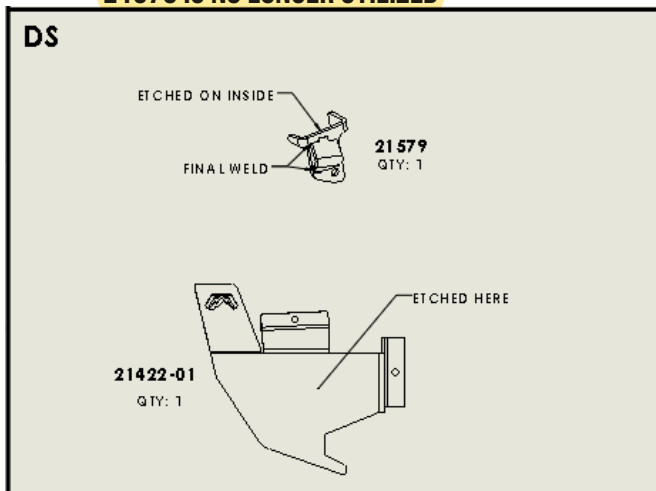
CHAPTER 1

BEFORE YOU START

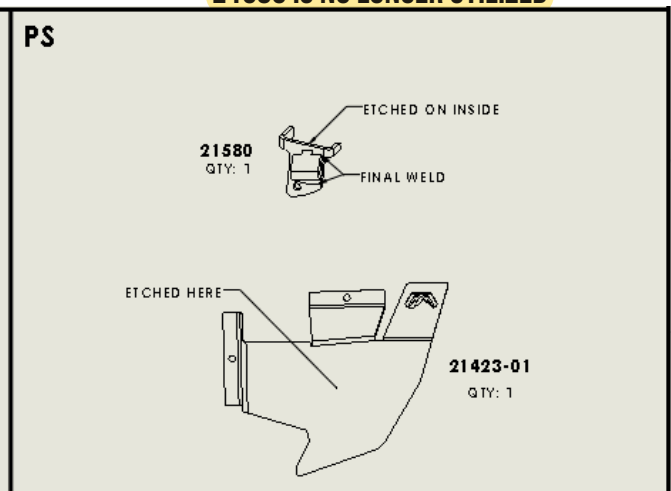
TF3000 OPEN FENDER BASE



21579 IS NO LONGER UTILIZED



21580 IS NO LONGER UTILIZED



INSTALLATION INSTRUCTIONS

OPEN FENDER SYSTEM

Product Number: TF3000

Application: 2016-2018

Chevy HD 2500 -3500

TF3000 HW-KIT

Fully layout and account for all hardware and accessories.

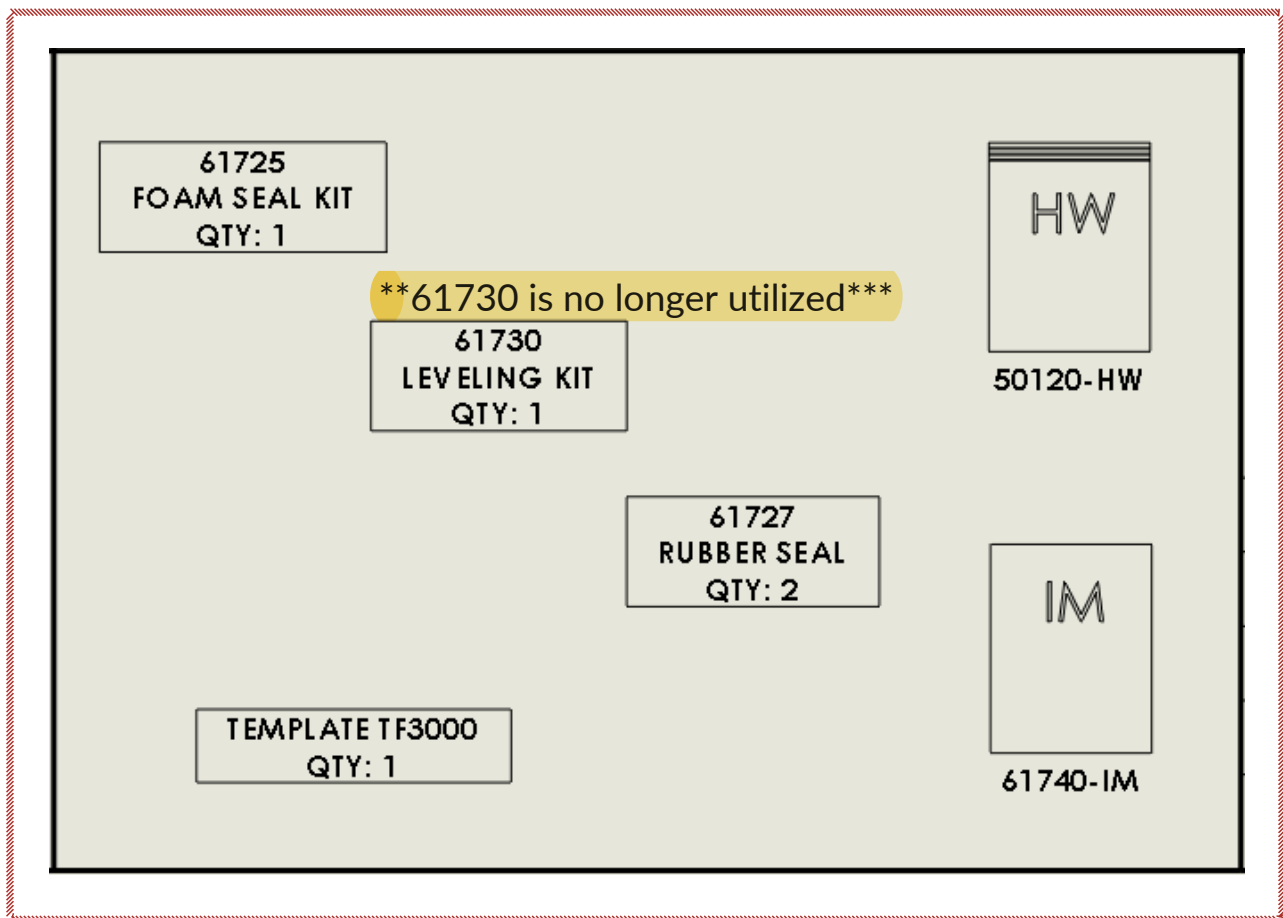
| Component Description | BOM Qty |
|--|---------|
| 5/16-18 RIVET NUTS | 24 |
| 5/16" BONDED-SEALING WASHERS (SS) - 0.75" OD | 54 |
| 5/16-18 x 1.0" BHCS (SS) | 54 |
| 5/16-18 HEX NUTS (SS) | 16 |
| 5/16" FLAT WASHERS (SS) | 16 |
| 5/16" LOCK WASHERS (SS) | 16 |
| 5/16-18 X 1.0" GRADE 8 | 8 |
| 5/16 SAE FLAT WASHER GRADE 8 | 16 |
| 5/16 SPLIT WASHER GRADE 8 | 8 |
| 5/16-18 FINISHED HEX NUT GRADE 8 | 8 |
| 1/4" x 1.0" SHTMTL SCREW (18-8 SS) | 10 |
| 1/4" BONDED SEALING WASHERS (SS) | 10 |
| 17/32" DRILL BIT w/ 1/2" SHANK | 1 |
| 5/16-18 RIVET NUT INSTALL TOOL | 1 |
| 3/8"-16 Hex Head Screw Grade 8 | 2 |
| 3/8"-16 Nylock Nut Grade 8 | 2 |
| 3/8"-SAE, Flat Washer, Zinc, GR8 | 4 |
| Christmas Tree Plug | 4 |
| 3/8" Loop Clamp | 1 |

CHAPTER 1

BEFORE YOU START

TF3000 HW-KIT

Fully layout and account for all hardware and accessories.

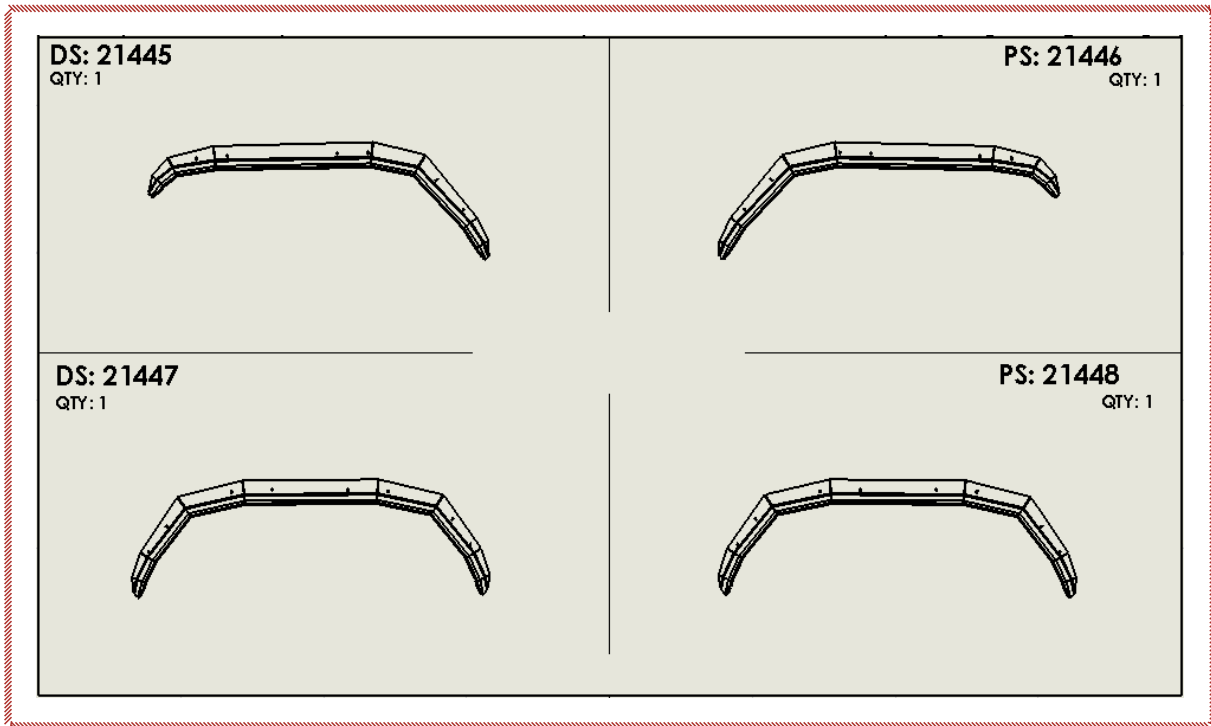


INSTALLATION INSTRUCTIONS

OPEN FENDER SYSTEM

Product Number: TF3000
Application: 2016-2018
Chevy HD 2500 -3500

TF30 10 OPEN FENDER FLARE



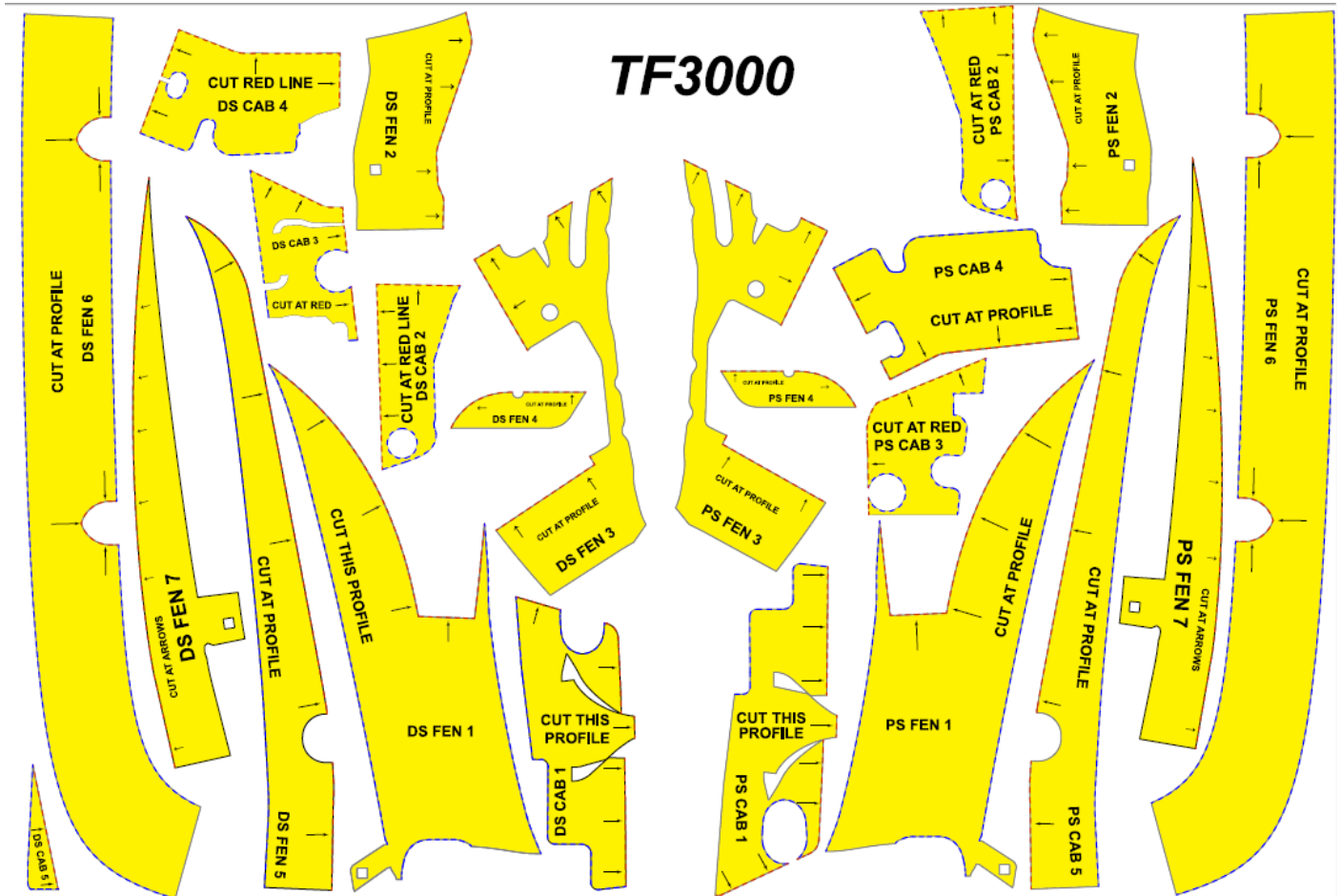
| Component Description | BOM Qty |
|---------------------------|---------|
| 5/16-18 X 1.0" GRADE 8 | 14 |
| 5/16 FLAT WASHER GRADE 8 | 14 |
| 5/16 SPLIT WASHER GRADE 8 | 14 |

INSTALLATION INSTRUCTIONS OPEN FENDER SYSTEM

Product Number: TF2900

Application: 2016 DODGE RAM 2500

TF3000 OPEN FENDER TEMPLATES



INSTALLATION INSTRUCTIONS

OPEN FENDER SYSTEM

Product Number: TF3000

Application: 2016-2018

Chevy HD 2500 -3500

Using pads or other protective surface, lay out all the parts provided by Fab Fours. Failure to fully account for all components before beginning installation may leave vehicle immobile until part is acquired. Refer to following list.

TOOLS REQUIRED:

- Socket wrench with extension (ratcheting wrenches may also be convenient)
- Full set of sockets metric and standard
- Full set of wrenches and ratchet wrenches
- Flat and Phillips head screw drivers
- Electric Drill with full set of drill bits
- Plastic Fastener Remover
- Reciprocating saw
- Cutting wheel
- Grinding wheel
- T15 torx
- Hex key sets
- Flat head screw drivers
- Floor jack and jack stands
- Step bit
-

EASE OF ACCESS:

Removing the tires and raising the vehicle is recommended at this time. We recommend the use of an appropriately rated lift when installing.

ORGANIZATION:

Keeping your surroundings both clean and organized is paramount. Disassemble the vehicle where you can catalog and store everything. One good example is labeling and bagging all the OEM bolts when removing the front clip of the vehicle. Failure to keep track of parts could lead to an inability to properly reinstall components.

TEMPLATES:

Blue dotted lines follow body lines of truck. Red dotted lines indicate cut lines. Drawn holes with center mark indicate drill locations. Holes and slots cut in template indicate locating features that must be matched.

CHAPTER 2

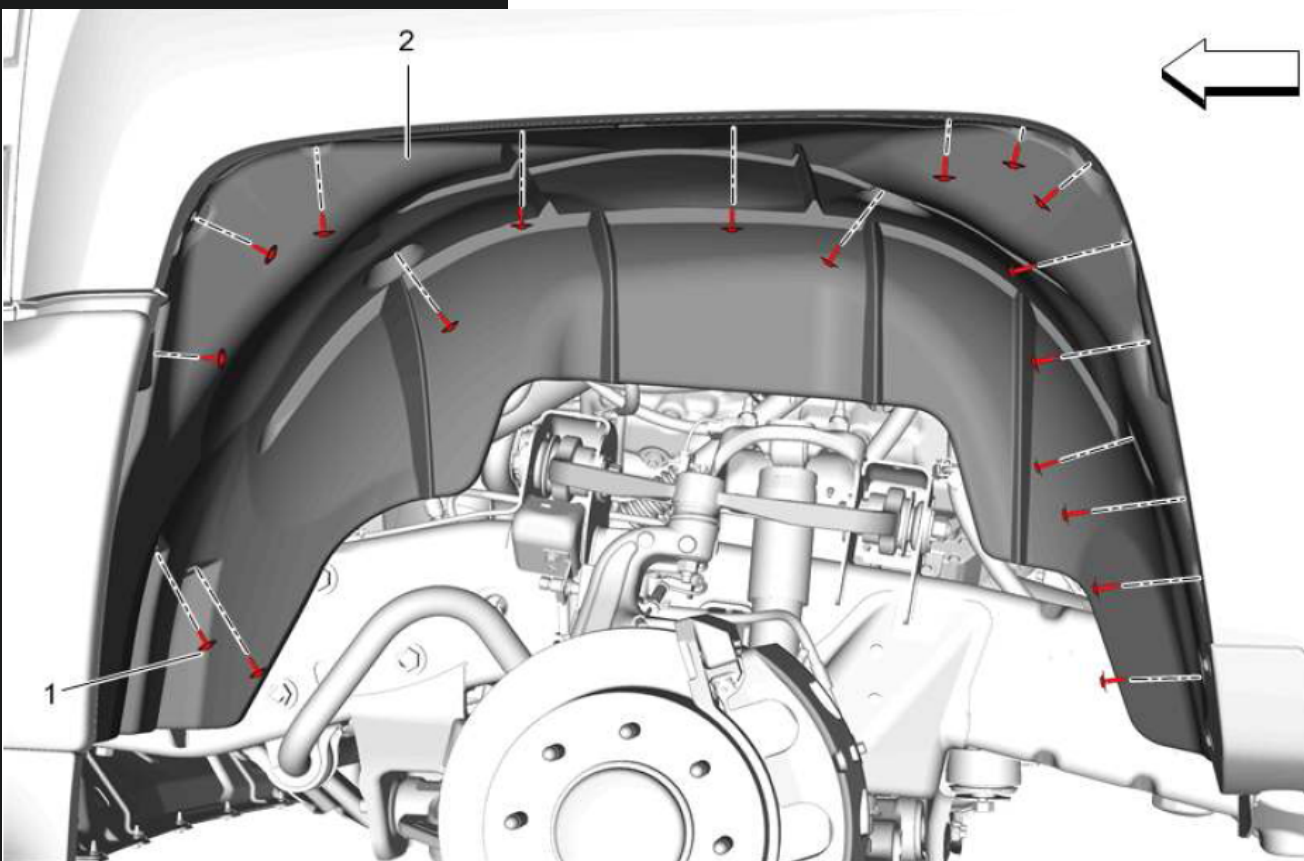
DISASSEMBLY & PREPARATION

FRONT CLIP DISASSEMBLY.

Note: the following steps are to be executed on both sides of the vehicle.

1

Removing inner fenders (if equipped).



Using a T15 Torx bit locate and remove the fasteners attaching the OEM inner fender coverings to the fender. Bag and tag hardware, it will be reused. Repeat process on other side of the vehicle.

INSTALLATION INSTRUCTIONS OPEN FENDER SYSTEM

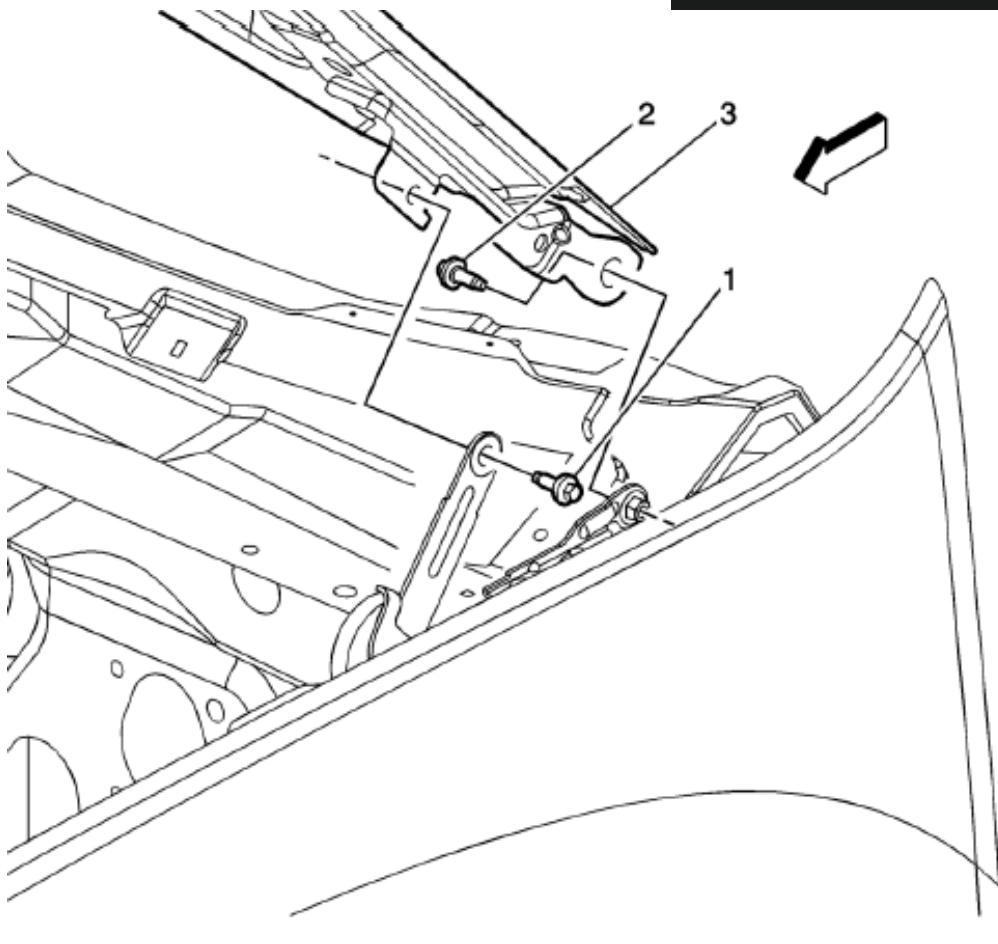
Product Number: TF3000

Application: 2016-2018

Chevy HD 2500 -3500

2

Removing the hood.



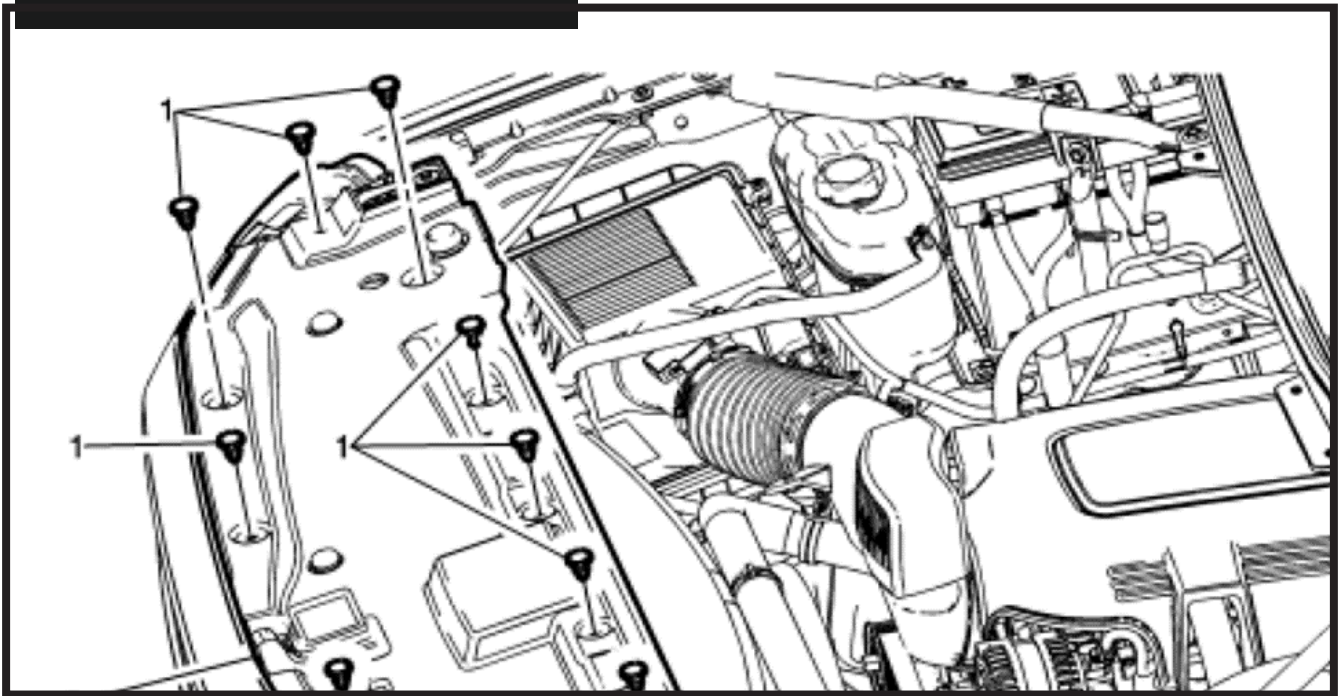
Locate and remove the (2) bolts that attach the hood brackets to the hinge. Bag and tag bolts. Place hood in a safe padded location.

CHAPTER 2

DISASSEMBLY & PREPARATION

3

Removing the under hood cowl.



Locate and remove the (11) push pins using a body panel tool. Bag and tag the pins and cowl.

INSTALLATION INSTRUCTIONS OPEN FENDER SYSTEM

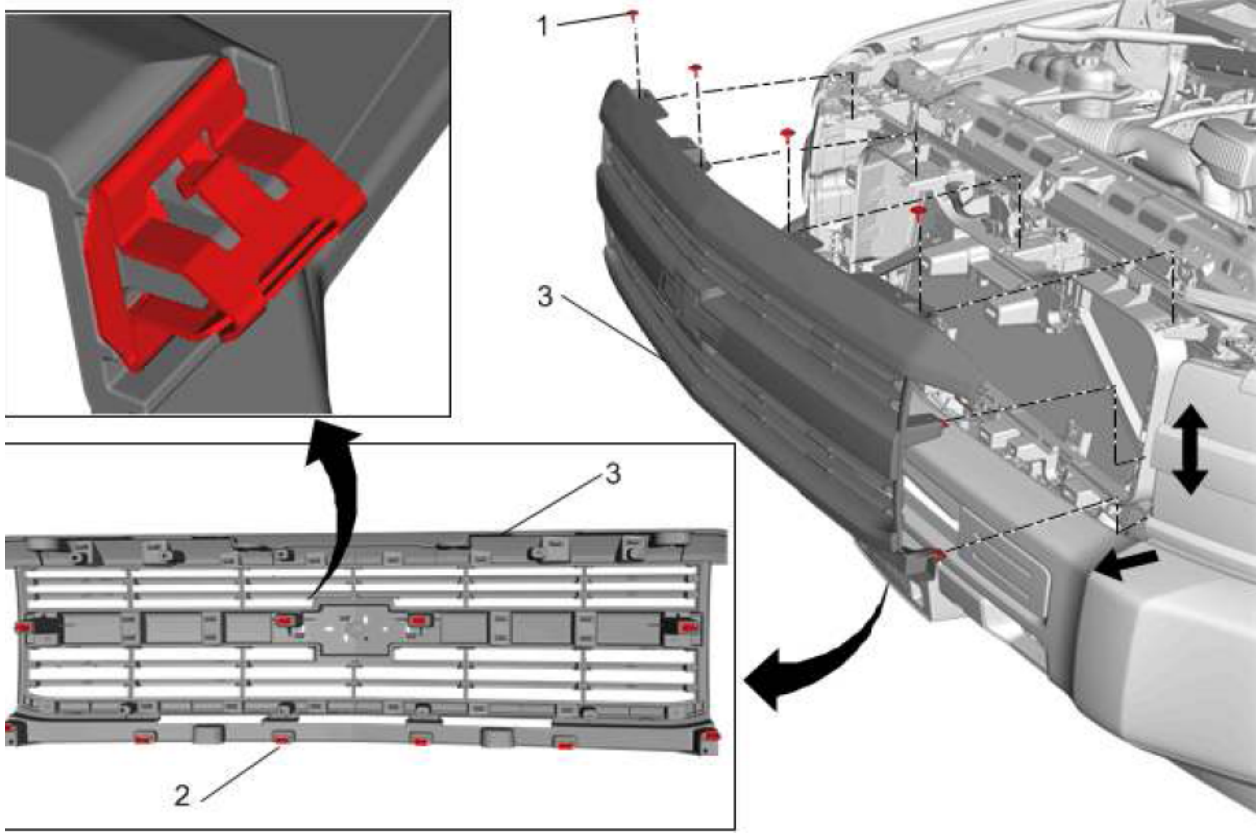
Product Number: TF3000

Application: 2016-2018

Chevy HD 2500 -3500

4

Removing the OEM grille.



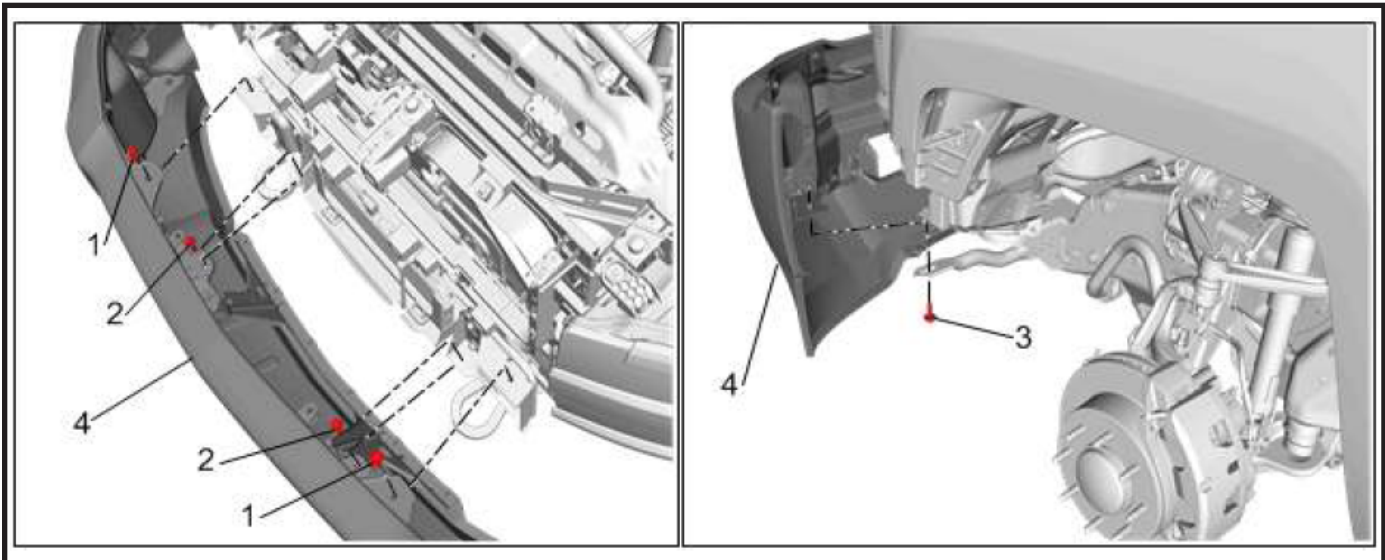
To remove the OEM grille, remove the (4) fasteners along the top of the grille. With firm pressure, starting on one side and moving toward the other, pull out on the grille.

CHAPTER 2

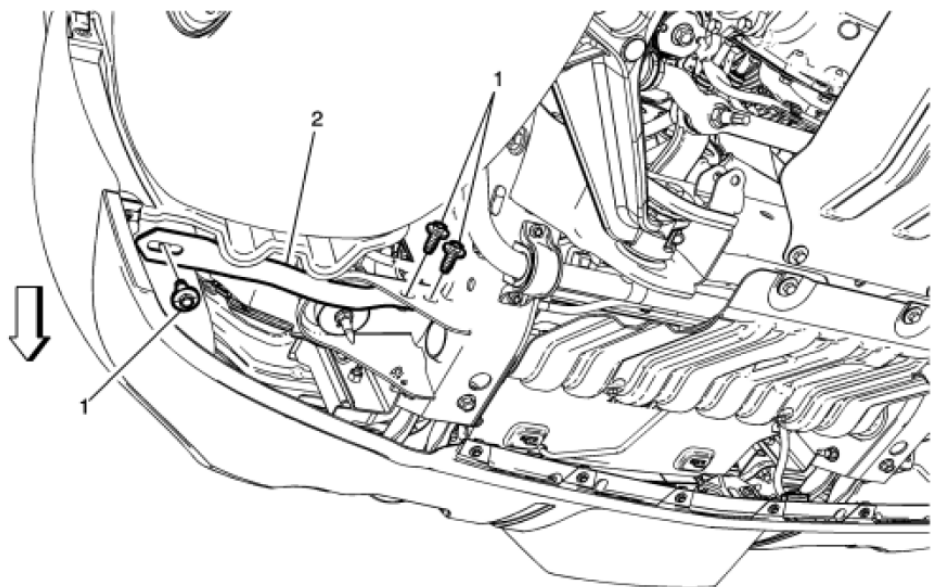
DISASSEMBLY & PREPARATION

5

Removing the bumper.



Looking down from the top of the bumper, locate and remove the (6) fasteners that attach the bumper to the frame horns. From under the bumper locate and remove the (3) fasteners per side that attach the bumper support brackets to the bumper and frame.

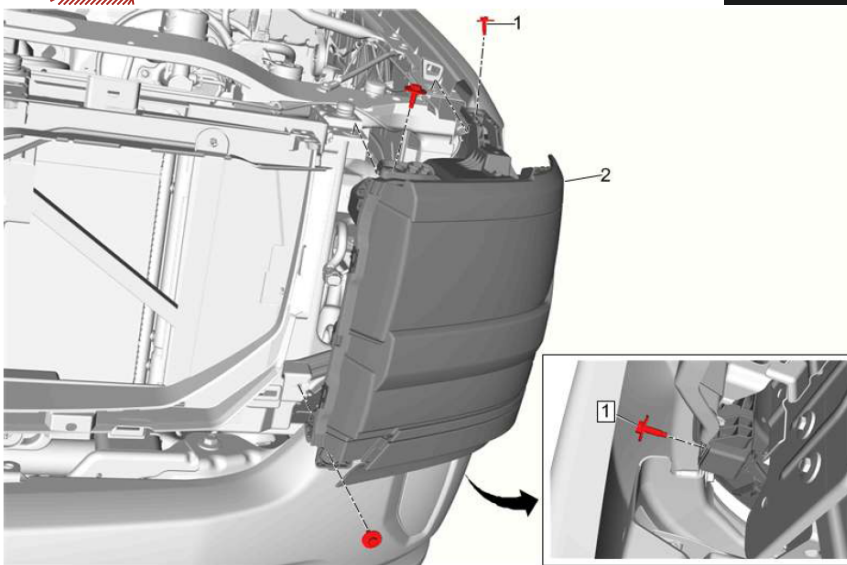


INSTALLATION INSTRUCTIONS OPEN FENDER SYSTEM

Product Number: TF3000
Application: 2016-2018
Chevy HD 2500 -3500

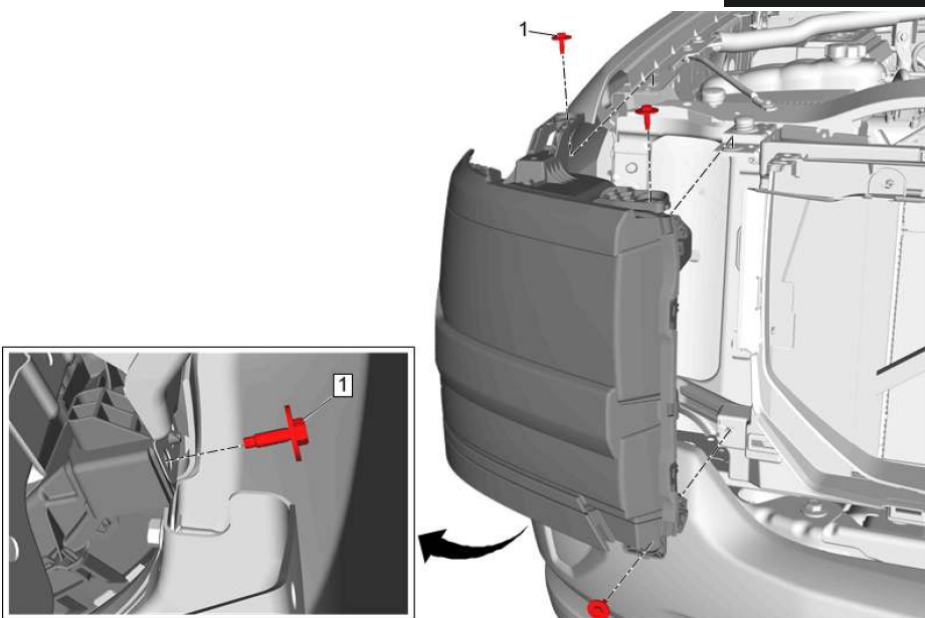
6

Removing the headlights.



Locate and remove the (4) fasteners that attach the headlights to the core support and fender.

Bag and tag hardware. You will reuse them



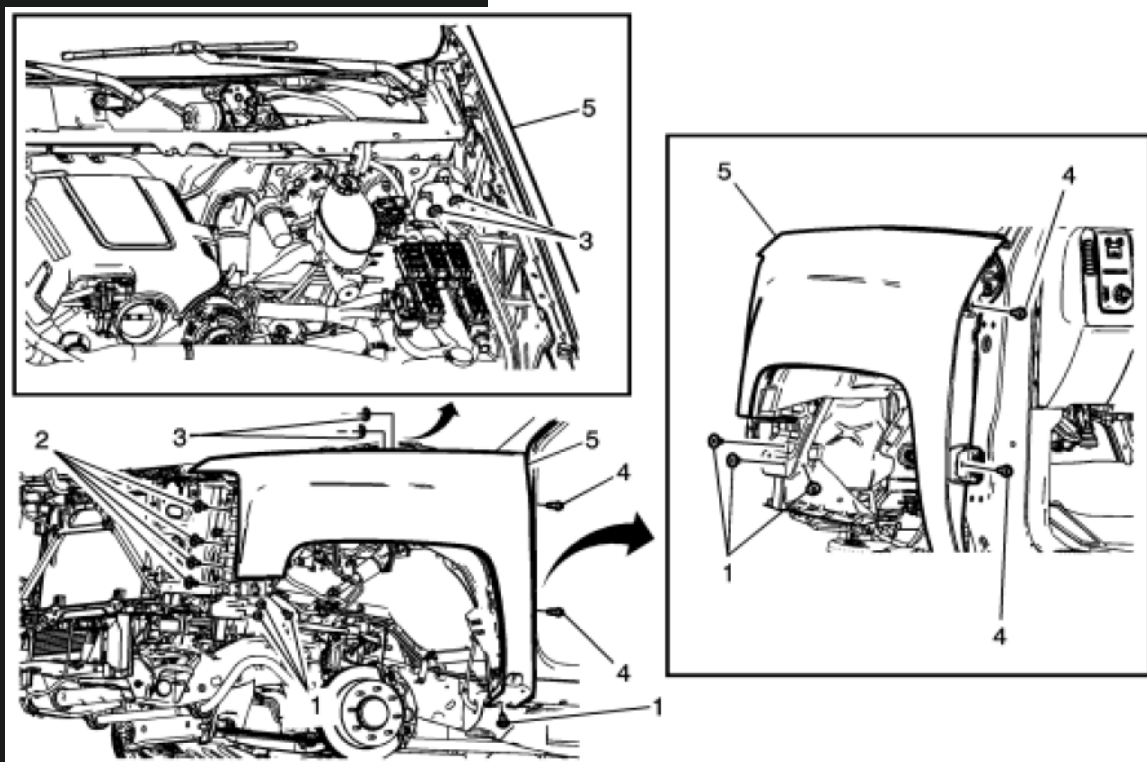
CHAPTER 2

DISASSEMBLY & PREPARATION

7

Removing the front fenders.

Locate and remove the (21) fasteners that hold the driver side fender on the truck. There are (13) fasteners in the fender sheet metal, (3) fasteners are under the battery, (2) fasteners on either side of the fuse box, (2) fasteners holding the forward fender support rod, and (1) fastener attaching the rear fender support rod at the fender. To remove the passenger side fender, locate and remove (14) fasteners. There are (11) fasteners holding the fender sheet metal, (2) fasteners under the electrical panel, and (1) fastener in the fender side of the fender support bracket.

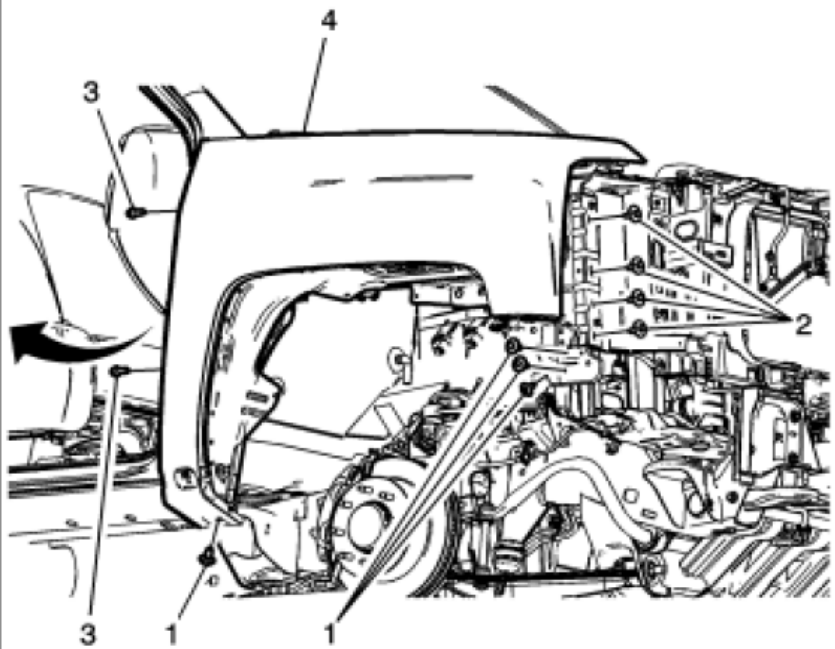
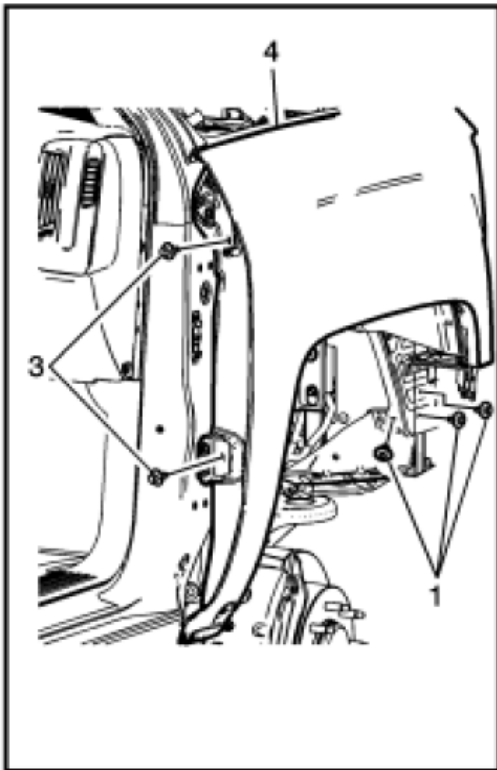


INSTALLATION INSTRUCTIONS OPEN FENDER SYSTEM

Product Number: TF3000

Application: 2016-2018

Chevy HD 2500 -3500



CHAPTER 3

TEMPLATE MOUNTING



CHAPTER 3, STEP 1

Note: All steps shown below should be repeated on the opposite side of the vehicle unless noted that it does not apply.

Note: all surfaces should be cleaned before installing templates.

1

Installing templates.

Cut Template DS CAB 1 is installed on the outside face of the rocker channel in front of the driver's front door.

Start by applying the template from the bottom and work up following the profiles outlined with the blue dashed lines.

Smooth out the template. Be sure to carefully align the blue dashed lines with the contours. If small bubbles form it will not compromise the effectiveness of the template.



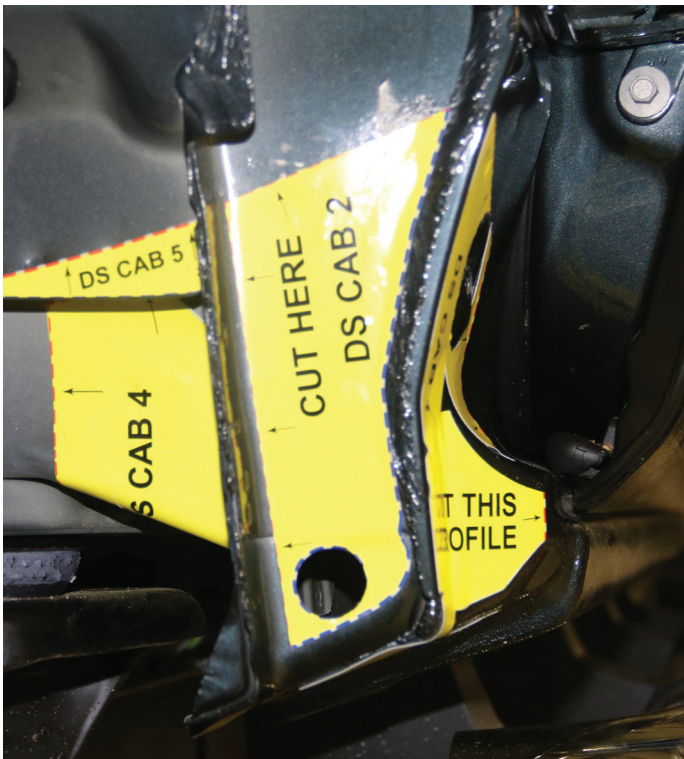
INSTALLATION INSTRUCTIONS

OPEN FENDER SYSTEM

Product Number: TF3000

Application: 2016-2018

Chevy HD 2500 -3500



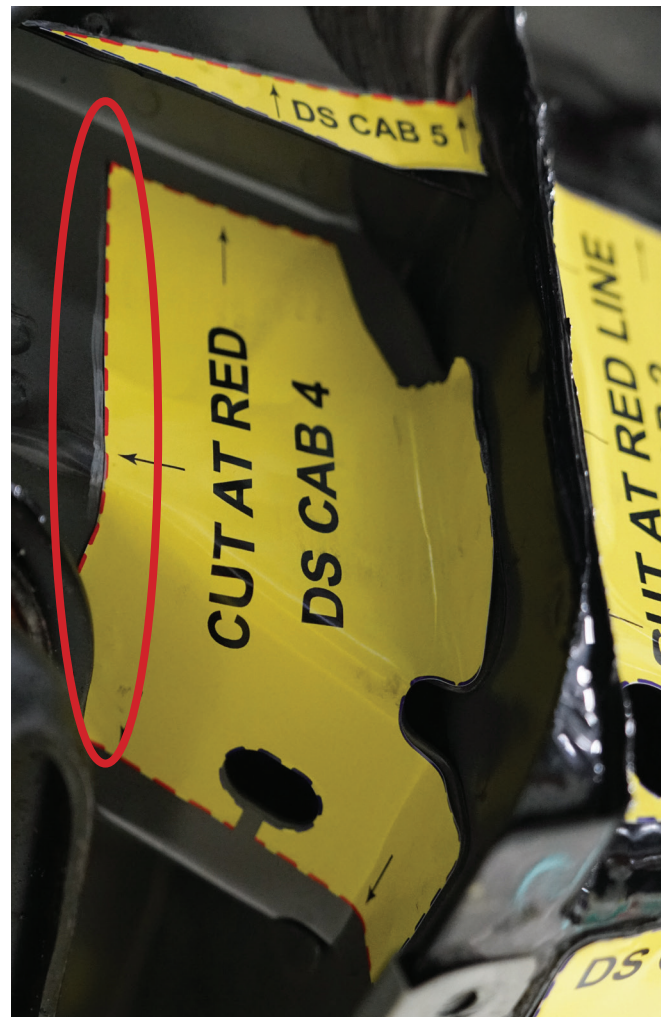
Cut Template DS CAB 2 is applied to the front of the rocker channel as shown. Place the circular cutout over the hole on the rocker surface. Roll the template upwards using the outboard edge of the surface as a guide for the template edge. DO NOT conform the template to the step in the sheet metal, this is NOT necessary.

CHAPTER 3

TEMPLATE MOUNTING

Installing templates cont...

Cut Template DS CAB 4 is applied to the body mount support channel adjacent to DS CAB 2 as shown. Start applying the template by aligning the profiles where the body mount channel attaches to the rocker channel. Then working your way across and down align the lower oval cutout with the oval cutout in the body mount support channel. When applied correctly, the red dashed line on the template should be vertically in line with the edge of the body mount bushing as shown with the red oval.



INSTALLATION INSTRUCTIONS

OPEN FENDER SYSTEM

Product Number: TF3000

Application: 2016-2018

Chevy HD 2500 -3500



Cut Template DS CAB 5 is placed on the pinch seam area above DS CAB 4. Align the blue dashed lines with the lower edge of the pinch seam area and as close to the vertical pinch seam as possible.

*Note: There is only a CAB 5 template for the driver's side.

CHAPTER 3

TEMPLATE MOUNTING



CHAPTER 3, STEP 2

Installing templates cont...

Cut Template DS FEN 1 is placed on the driver's side front fender in front of the door. Start by lining up the tab with the square cutout on the return flange of the fender at the bottom. Then work your way up the fender following the wheel well opening with the blue dashed line.

Cut Template DS FEN 2 is placed on the front driver side fender as shown. Start by placing the locating square hole on the 6th OEM nut insert from the bottom. Next line up the top red cut line with the red cut line on DS FEN 1. Working your way across the template adhere it to the fender lining up the opposite edge with the profile of the fender as shown with the red arrows.



INSTALLATION INSTRUCTIONS

OPEN FENDER SYSTEM

Product Number: TF3000

Application: 2016-2018

Chevy HD 2500 -3500



Cut Template DS FEN 3 is placed on the backside of the driver's side front fender. Start applying the template by lining up the profile shown with the red arrows. Then work the template across matching the locating hole with the one on the fender.



Cut Template DS FEN 4 is applied to the front side of the driver's side front fender ahead of the fender well opening. Align the edge of the template with the fender profile and the locating hole as shown.

CHAPTER 3

TEMPLATE MOUNTING

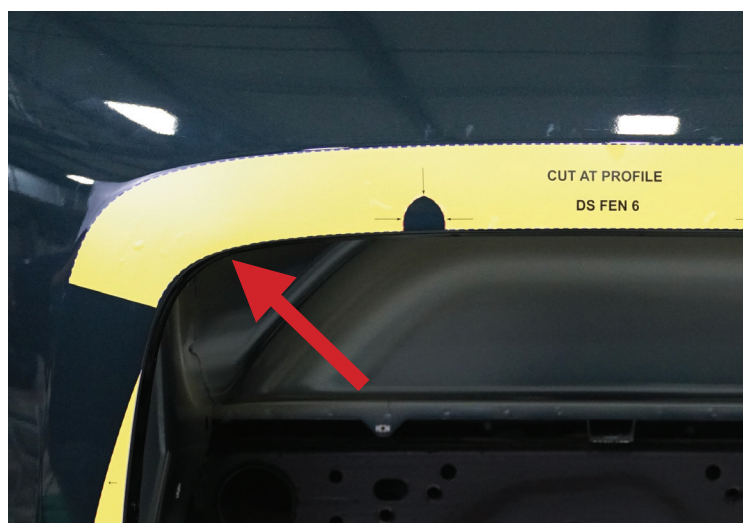


CHAPTER 3, STEP 3

Installing templates cont...

Cut Template DS FEN 5 is placed on the driver's side bed side rear of the wheel well. Apply the template by starting at the bottom working upwards following the inside of the wheel well opening. Align the profile cutout in the template with the indentation in the bedside that surrounds the body trim clip.

Cut Template DS FEN 6 is located at the top of the driver's side rear wheel well. Start by aligning the radius of the template with the radius of the bed side indicated by the red arrow. Then work the template across the bed side following the wheel well opening.



INSTALLATION INSTRUCTIONS

OPEN FENDER SYSTEM

Product Number: TF3000
Application: 2016-2018
Chevy HD 2500 -3500



Cut Template DS FEN 7 is applied to the lower front of the driver's side rear wheel well opening. Starting at the bottom, work your way up the fender with the template aligning the location hole with the nut insert and then the inside edge of the wheel opening.

CHAPTER 4

CUTTING



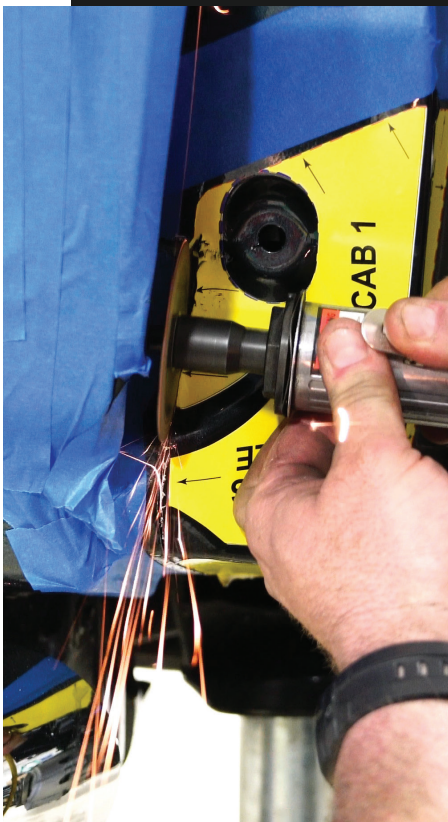
CHAPTER 4, STEP 1

Note: All cuts are mirrors steps should be repeated on both sides of vehicle unless specified.

Note: There is sealing foam in the rocker channel cavity so caution should be taken while cutting in this area with an tools that create excessive amounts of heat or sparks. Precautions should always be taken to be prepared to extinguish a fire should it start.

1

Cutting Cab / Rocker Channel

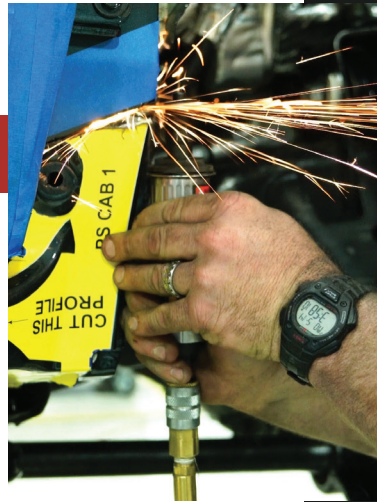
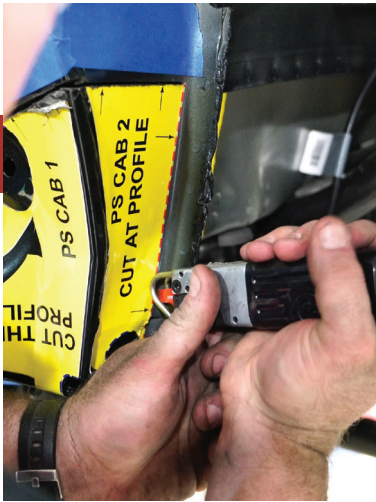


Begin the cutting process with DS CAB 1. Starting from the bottom, working up use a cut-off wheel and follow the red dashed lines on the template and cut through the (2) sides of DS CAB 1. Next, using a large reciprocating saw, cut vertically through the inner structure of the rocker channel. Be careful not to cut above the template line.

NOTE: These cuts will be cutting through multiple layers of material. A larger blade is recommended.

INSTALLATION INSTRUCTIONS OPEN FENDER SYSTEM

Product Number: TF3000
Application: 2016-2018
Chevy HD 2500 -3500

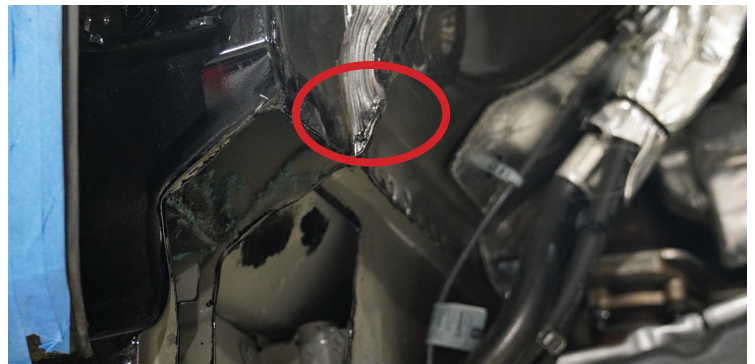
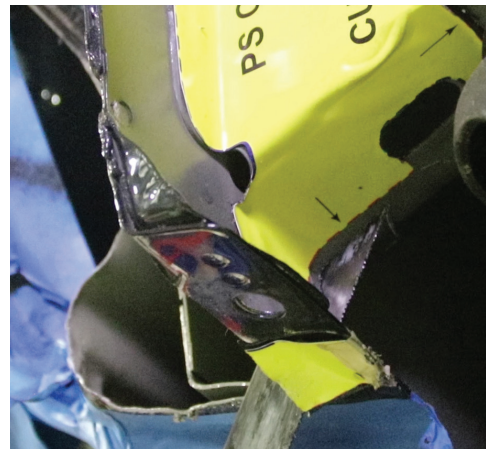


Start cutting DS CAB 2 by cutting upward from the hole in the template. Next cut across the top of the template horizontally using a small reciprocating saw or cut-off wheel. Mark a line connecting the bottom of the cut line of DS CAB 2 to the cut line on DS CAB 1 on the same plane as the cut line on DS CAB 2 as shown. Once cut, pry the corner section of the rocker channel away from the truck. There will be one pinch weld holding this section to the truck. Once removed cut away the inner structure that is left behind making sure that this cut is on plane with or behind the first cut on DS CAB 1 as shown.

CHAPTER 4

CUTTING

Cutting Rocker Channel Cont..



INSTALLATION INSTRUCTIONS

OPEN FENDER SYSTEM

Product Number: TF3000

Application: 2016-2018

Chevy HD 2500 -3500

At this point, clean the inner face of the rocker channel with a flap disk grinder and cleaning solution in preparation for the DS CAB 3 template.

After the area is cleaned, apply DS CAB 3 as shown. With the template in place, continue with the cutting process. Using a large reciprocating saw, start at the bottom of the rocker panel in line with the template cut line and cut up until you reach the bottom of the template.

Switch to a small reciprocating saw or cut-off wheel to finish cutting the rest of DS CAB 3.

Moving to DS CAB 4 start cutting horizontally at the top of the template using a small reciprocating saw or cut-off wheel. Then, using a cut-off wheel make the vertical along the red dashed line as shown. Continue cutting in the vertical position using a large reciprocating saw until the rear underside of the cutline is reached. Next, move to the first cut position on DS CAB 3 and using a large reciprocating saw cut through the lower face of the body mount support structure.

With the cut section removed, grind the vertical pinch seam circled in red at a 45 degree as shown.

CHAPTER 4

CUTTING



CHAPTER 4, STEP 2

2

Cutting Body Mounts



Mark the DS body mount bracket on the frame using tape or a marker as shown. Using a cut-off wheel or other appropriate tool cut along the inside of the tape or mark keeping the tool on a flat plane. Once cut clean up the cut edges to avoid causing injury later.

NOTE: This step may need to be adjusted based on your specific wheel and tire setup after the install is complete. If the tire rubs this at full turn, then up to 0.25" of extra material can be safely removed.



INSTALLATION INSTRUCTIONS OPEN FENDER SYSTEM

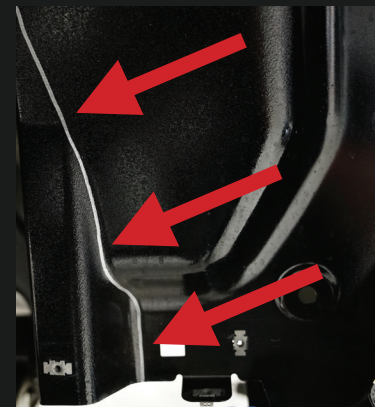
Product Number: TF3000
Application: 2016-2018
Chevy HD 2500 -3500



CHAPTER 4, STEP 3

3

Cutting Rear Fenders



Start cutting DS_FEN_5 by cutting up from the bottom. Cut upwards until you cross the inner structure plane. Stop cutting up and start cutting down from the top of the template making sure to cut through both layers. Cut down along the template until the blade contacts the perpendicular inner face. Stop cutting along the outside of the fender and cut along the inner perpendicular face where it meets the fender. Cut from the bottom up until the template area detaches. Clean up any sharp edges. Repeat this process on the DS_FEN_7 template.

To cut the DS_FEN_6 template, start by cutting outward from the return flange on the OEM fender opening. Make this cut in line with one side of the dome shaped cut line shown. Continue cutting the red profile line up and around then back inwards through the return flange. At this point the cut section should fall out. Repeat this process for the other dome shaped cut line.

CHAPTER 4

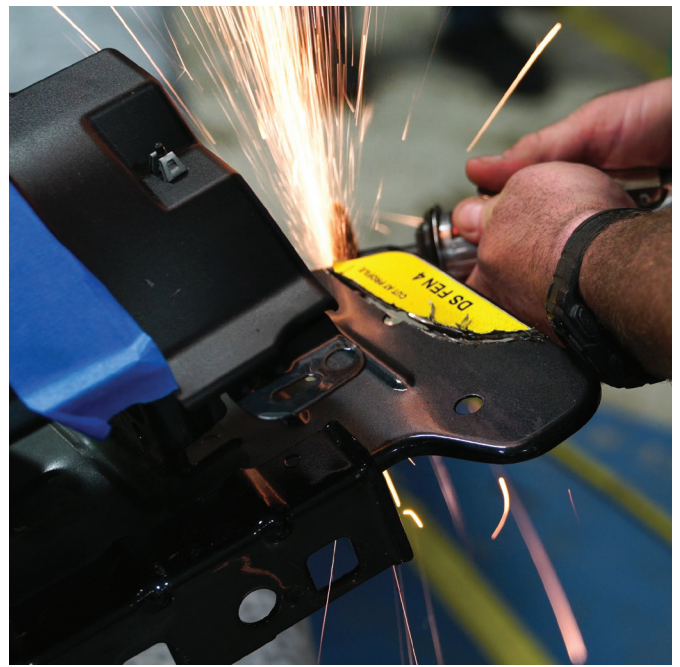
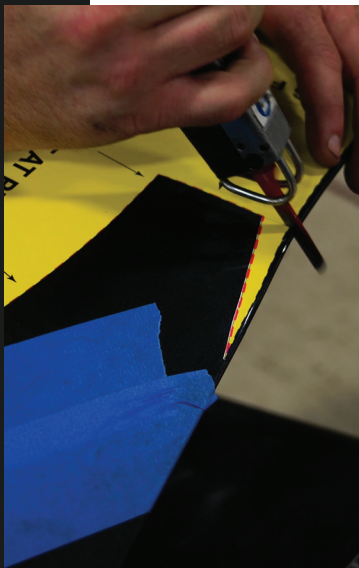
CUTTING



CHAPTER 4, STEP 4

4

Cutting Front Fenders.



INSTALLATION INSTRUCTIONS

OPEN FENDER SYSTEM

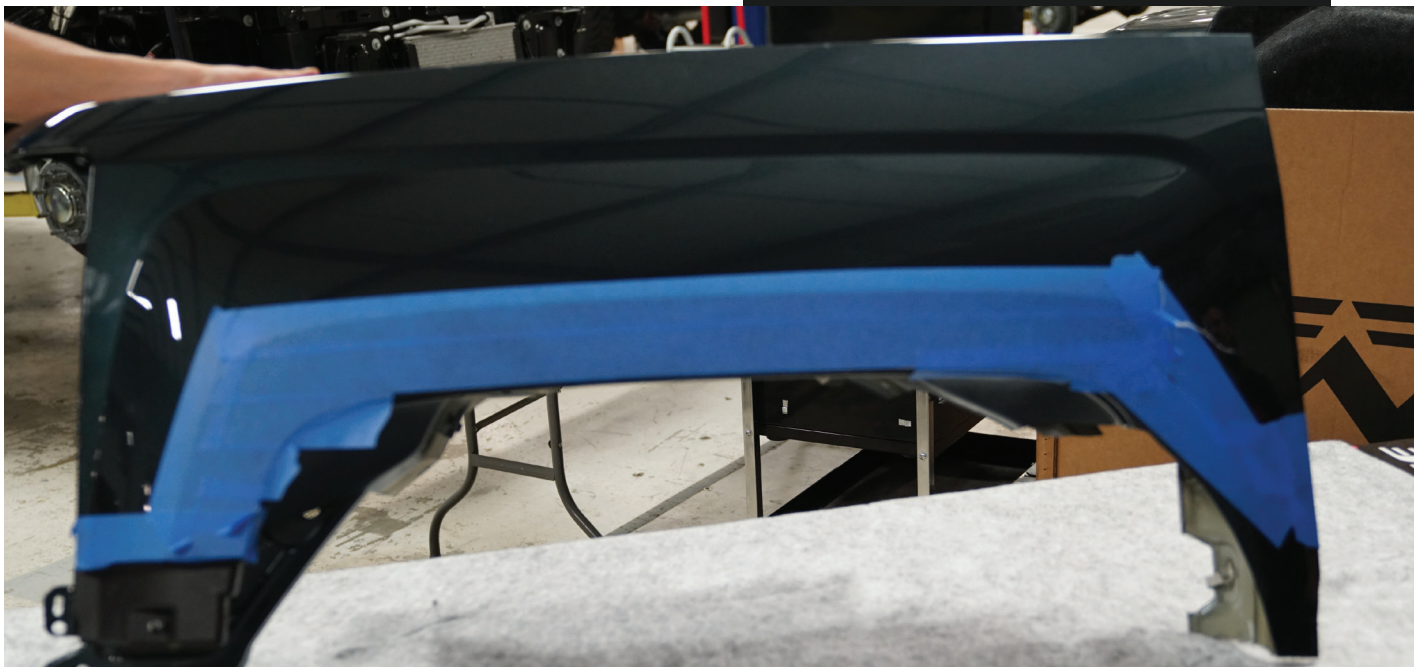
Product Number: TF3000

Application: 2016-2018

Chevy HD 2500 -3500

Start by cutting the DS_FEN_1 template along the red dashed cut line through all layers of material. Then move onto cutting the DS_FEN_2 template. Start DS_FEN_3 by connecting the cuts from DS_FEN_1 and DS_FEN_2. Lastly cut along the red dashed line of DS_FEN_4 to remove the material at the lower front section of the fender. Clean up all cuts to remove any sharp edges or burs.

****At this point return to all cut areas and apply the provided rust trap.****



CHAPTER 5

INSTALLATION - FENDER BASES



CHAPTER 5, STEP 1

1

Installing Rear Base Fenders

Start by installing the OEM fender back on the vehicle completely making sure to align body seams. Apply seal to outside edge of rear base fender as shown in Appendix A.

With the help of another person, hold the base fenders in place on the truck making sure that when clamped tightly to the bed side the bottom edge of the base lines up with the bottom edge of the OEM sheet metal. At this point center punch all mounting hole locations ensuring the base does not move. With all the holes marked remove the base from the truck and pilot drill all of the marked locations. Step up the (4) most upper hole locations to the 17/64" drill bit size. Step up the rest of the locations to a 3/8" drill bit size. Apply rust trap to all of the drill locations.



Using the provided tool, install a rivet nut in each of the (4) 17/64" holes at the top of the base.



INSTALLATION INSTRUCTIONS

OPEN FENDER SYSTEM

Product Number: TF3000

Application: 2016-2018

Chevy HD 2500 -3500



Place fender back on the truck. At this time loosely bolt locations 5,6,7, and 8 using the provided 5/16" hardware. Continue with installing the rest of the hardware in locations 1-4 and 9-12 using the 5/16" hardware provided.

****Note:** All 5/16" Stainless hardware is to be installed in the following order: bolt, bonded washer, (material), flat washer, lock washer, nut. When using the 5/16" hardware with the rivet nuts only a bolt and bonded washer are needed.

****Note:** Anti-seize compound should always be applied to the threads of stainless hardware before being installed.

CHAPTER 5

INSTALLATION - FENDER BASES

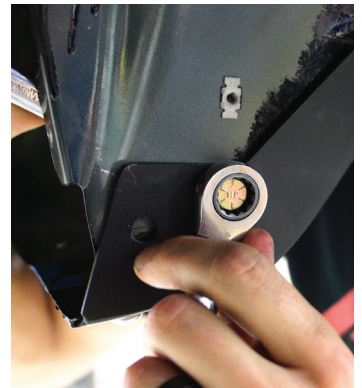
Installing Rear Base Fenders Cont...

With all of the Stainless hardware installed on the outside of the base fender, push inward on the outside of the base and clamp the base fender to the perpendicular inner bed support. Mark and drill the (2) holes at the bottom of the base on the return flange as shown. Rust trap all drill locations at this point. Install the 5/16" grade 8 hardware provided, placing the nut on the backside of the support flange to avoid tire damage.

Repeat this process on the opposite side of the wheel opening.

****Note:** All 5/16" Grade 8 hardware is to be installed in the following order: bolt, bonded

At this point drill out the existing hole in the lower corner of the rear fender. Apply rust trap to the bare metal. Install the provided plastic push pin.



INSTALLATION INSTRUCTIONS

OPEN FENDER SYSTEM

Product Number: TF3000

Application: 2016-2018

Chevy HD 2500 -3500



CHAPTER 5, STEP 2

2

Installing Front Base Fenders



Apply seal to front base fenders as shown in Appendix. To install the front fender bases, have someone hold the base against the front OEM fender aligning the outer profile of the Fab Fours base with the profile on the OEM fender. Mark the center top two holes. Remove the base and drill out the two marked holes in the OEM fender starting with a smaller drill bit and working up to the included 17/32" drill bit.

Rust trap the drilled holes. Install two rivet nuts using the provided rivet nut tool. Temporarily reinstall the base using two of the stainless 5/16" button head screws and bonded washers.

Mark the remaining holes. Remove the base again and finish drilling the rest of the marked holes as before. Rust trap the drilled holes and then install the rest of the rivet nuts and reinstall the fender base.

Finish up the front fender base install by installing the three included self-tapping screws and bonded washers into the lower two holes and inner fender flange.

CHAPTER 6

INSTALLATION ROCKER CHANNEL PLATES

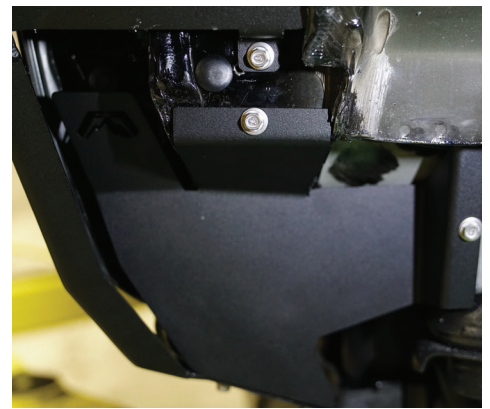
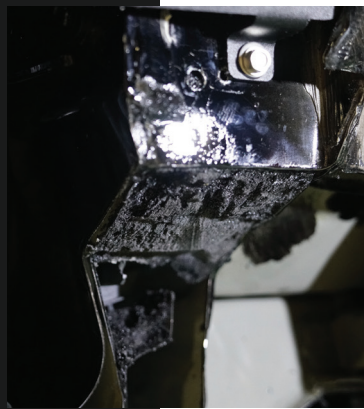
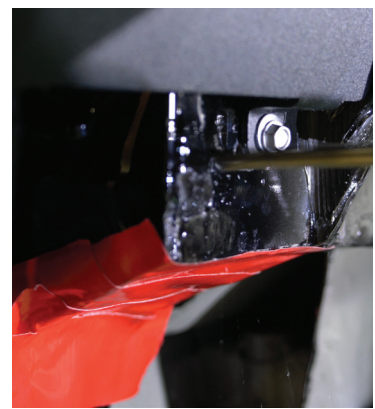
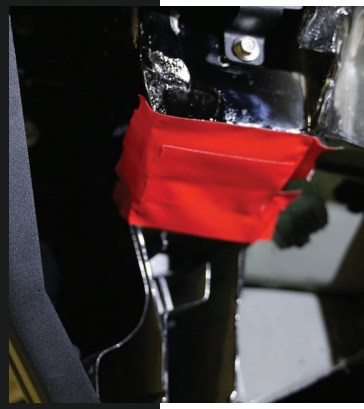
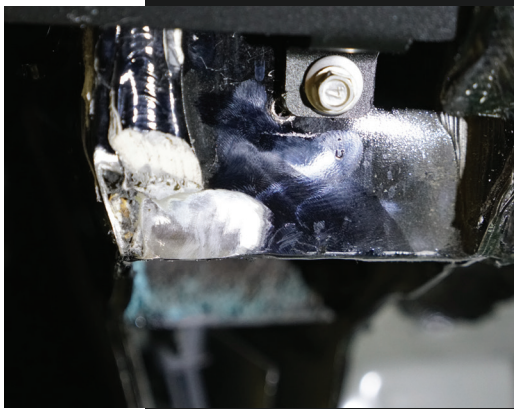


CHAPTER 6, STEP 1

Note: All cuts are mirrors steps should be repeated on both sides of vehicle unless specified.

1

Installing Rocker Channel Cover Plate



To install the rocker channel cover plates, start by grinding the pinch seam and seam sealer flat about 1" up from the cut to allow the cover plate to sit flat as shown. Apply tape to the upper cavity in preparation for foam. Drill a 3/8" hole in the front face next to the fender base fender support bolt. Leave enough clearance around this hole for the head of the included push clip. With the hole drilled fill the cavity with a full tube of the provided foam. If excess escapes the cavity don't worry, let it dry then cut it off with a razor blade. Let the foam sit for at least 5 minutes then remove the tape. Install the cover plate by pressing it up and in towards the center of the vehicle. Install the two provided self-drilling screws with bonded sealing washers as shown.

INSTALLATION INSTRUCTIONS OPEN FENDER SYSTEM

Product Number: TF3000

Application: 2016-2018

Chevy HD 2500 -3500

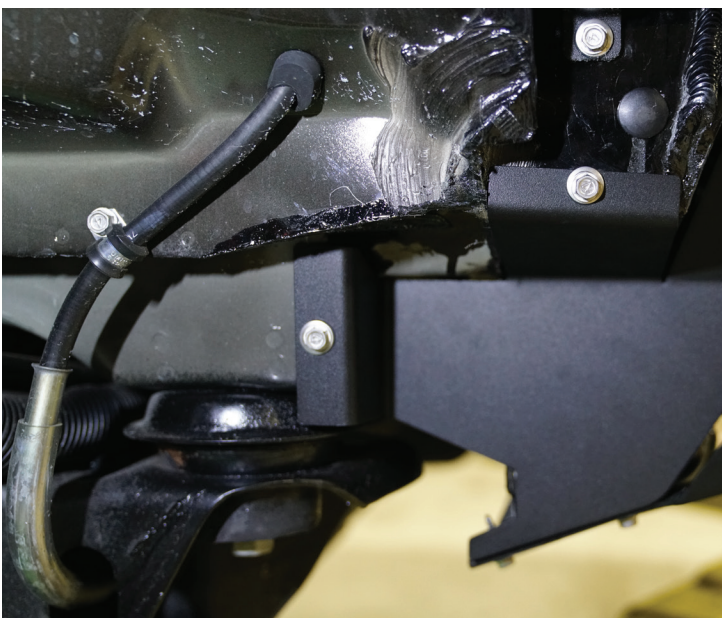
2

Installing Emergency Brake Cable Clamp



To install the emergency brake cable clamp, place the clamp over the cable as shown. Pull the cable towards the center of the vehicle so that the metal elbow on the cable is in a vertical position. Using one of the provided self-drilling screws and bonded washers attach the clamp to the pinch weld.

****DO NOT DRILL ABOVE THE PINCH WELD AREA****



CHAPTER 7

INSTALLATION - INNER FENDER



CHAPTER 7

1

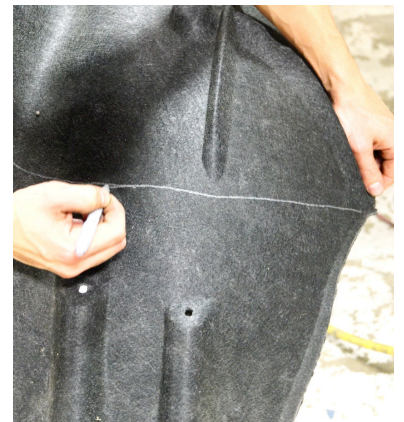
Installing Inner Fenders

To reinstall the OEM inner fenders, they will need to be trimmed.

This process is a suggestion and can be modified based upon the opinion of the installer/customer

Holding the inner fender in place start by tracing a cut line following the contours of the vehicle as shown.

Try to retain as many mounting locations as possible to avoid fluttering of the inner fender while driving.



INSTALLATION INSTRUCTIONS

OPEN FENDER SYSTEM

Product Number: TF3000

Application: 2016-2018

Chevy HD 2500 -3500



To reinstall the OEM inner fenders, they will need to be trimmed.

****This process is a suggestion and can be modified based upon the opinion of the installer/customer****

Holding the inner fenders in place start by tracing a cut line following the contours of the vehicle as shown.

Try to retain as many mounting locations as possible to avoid fluttering of the inner fender while driving.

CHAPTER 8

INSTALLATION - FENDER FLARE



CHAPTER 8

Note: All parts are mirrors steps should be repeated on both sides of vehicle unless specified.

1

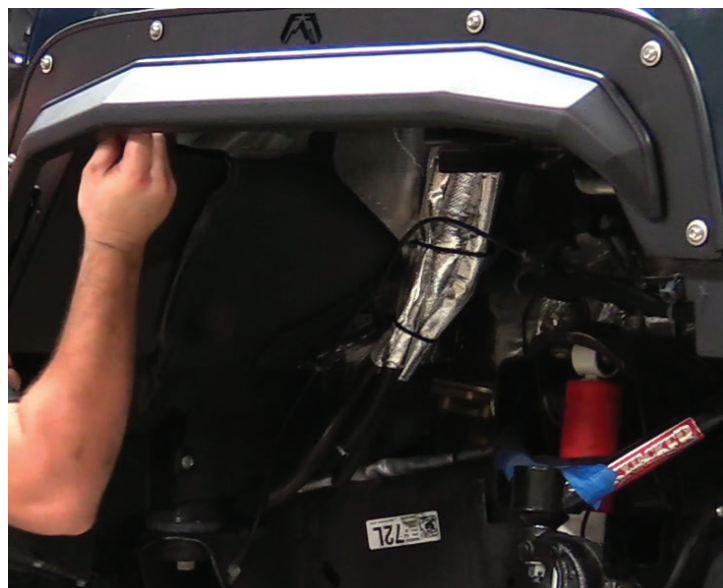
Installing Front Fender Flares

Install seal on mounting edge of all flares. See Appendix for install instructions if necessary.

Insert the provided 5/16" grade 8 hardware included through slots in fender flare mounts and fasten into weld nuts on base fender.

NOTE: The seal may start to pooch as you tighten the flare bolts. Be mindful of this and 'roll' the seal back into the proper position if this occurs.

Note: If you did not purchase flare parts, we have provided extra stainless steel washers and hex cap screws to plug those mounting locations.



INSTALLATION INSTRUCTIONS

OPEN FENDER SYSTEM

Product Number: TF3000

Application: 2016-2018

Chevy HD 2500 -3500

2

Installing Rear Fender Flare



Install seal on mounting edge of all flares. See Appendix for install instructions if necessary.

Insert the provided 5/16" grade 8 hardware included through slots in fender flare mounts and fasten into weld nuts on base fender.

NOTE: The seal may start to pooch as you tighten the flare bolts. Be mindful of this and 'roll' the seal back into the proper position if this occurs.



APPENDIX

APPLYING SEAL

Apply seal to the end of one edge of the part. The seal has adhesive in the groove, so it should adhere firmly to the part. Now, run the seal the rest of the way around the part edge, pressing firmly to fully engage the adhesive and smoothing out any bumps that may occur.

When you reach the end of the part edge, cut the seal with scissors at an angle that roughly matches the geometry of the termination point, as shown. Always err on the side of leaving a bit more seal material to get the termination point cut just right.



CONTACT ---

FAB FOURS INC.

2213 INDUSTRIAL PARK ROAD

LANCASTER, SC 29720

PHONE: (866)-385-1905

FAX: (970)-385-1914

EMAIL: SUPPORT@FABFOURS.COM



*"If you're looking for more
of the same, then you've
come to the wrong place."*

- Greg Higgs

