



# Installation Instructions

Rear Fender Base

SKU: JK4000

2007-2015 Jeep JK 2 Door

---

## SAFETY

---

**Your safety and the safety of others is very important.**

- In order to help you make informed decisions about safety, we have provided installation instructions and other information.
- These instructions alert you to potential hazards that could hurt you or others.
- Please do a job safety analysis (JSA) before each task to identify potential hazards for your situation and remove/protect against them.
- You must use your own good judgment, and take your time.

**Read and understand all safety precautions and instructions before installing this product.**

THIS PRODUCT IS FOR OFFROAD USE ONLY. ALL LIABILITY FOR INSTALLATION AND USE RESTS WITH THE OWNER.

**CARELESS INSTALLATION AND OPERATION CAN RESULT IN SERIOUS INJURY OR EQUIPMENT DAMAGE.**

---

## Injury hazard

---

**Failure to observe these instructions could lead to severe injury or death.**

- Always** remove jewelry and wear eye protection.
- Always** use appropriate and adequate care in lifting components into place.
- Always** insure components will remain secure during installation and operation.
- Always** wear safety glasses when installing this kit
- Always** use extreme caution when cutting and trimming during fitting.
- Always** tighten all nuts and bolts securely per installation instructions.
- Always** perform regular inspections and maintenance on mounts and related hardware.





## Installation Instructions

Rear Fender Base

SKU: JK4000

2007-2015 Jeep JK 2 Door

### Overview

Congratulations on the purchase of your new Fab Fours rear fender base assembly.

Your fenders were designed in 3-D from digitized data, CNC laser cut, fabricated, and powder coated... all in the U.S.A. Enjoy the fit and finish of a quality rear fender from Fab Fours, Inc.





## Installation Instructions

Rear Fender Base

SKU: JK4000

2007-2015 Jeep JK 2 Door

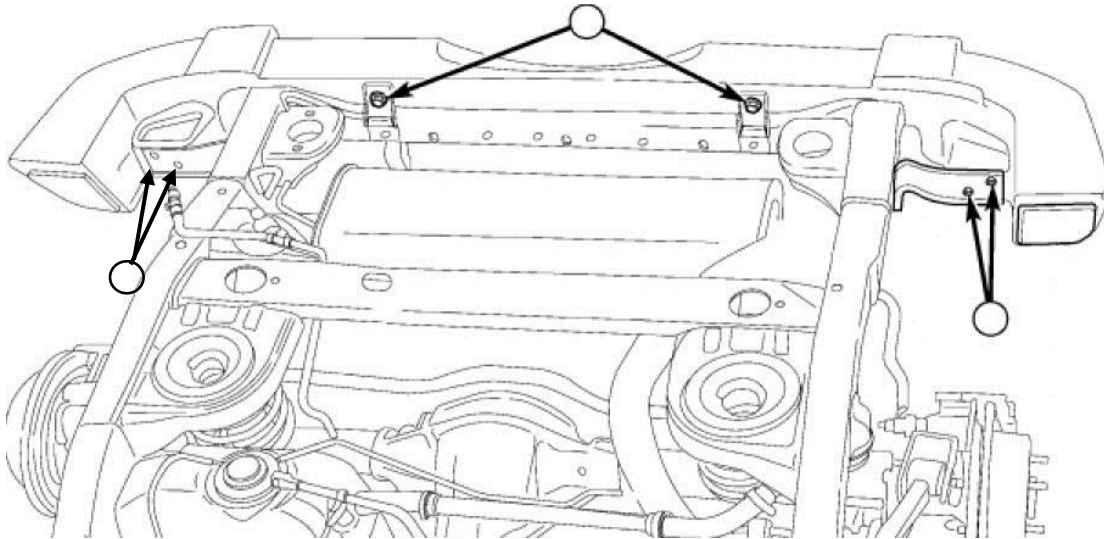
### I. Tools Required

- Allen wrenches
- Socket set and wrenches
- Drill
- ¼" & 17/32" drill bits
- Anti-seize (recommended)

**NOTE: REAR BUMPER MUST BE REMOVED BEFORE YOU PROCEED. REMOVAL INSTRUCTIONS CAN BE FOUND AT [FABFOURS.COM](http://FABFOURS.COM) UNDER Y1251 INSTALLATION MANUAL.**

### II. Factory Fender Removal

1. Take off bumper by removing OEM hardware in indicated locations





## Installation Instructions

### Rear Fender Base

SKU: JK4000

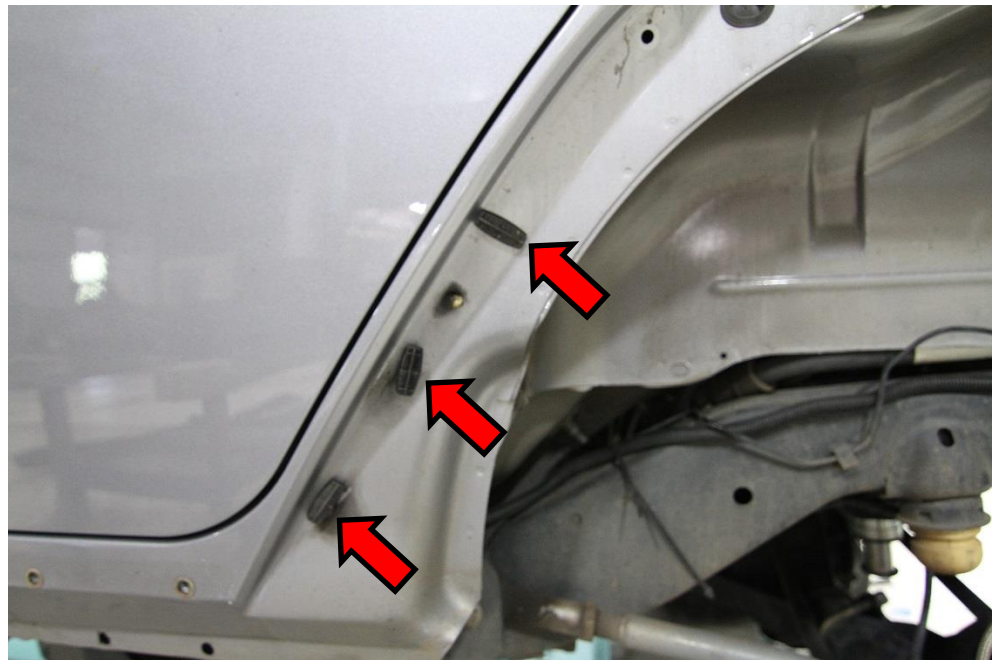
2007-2015 Jeep JK 2 Door

2. Remove Christmas tree clips located in the inner fender. Locations shown below.



3. Once clips are removed. Start by firmly grasping the rear of fender flare and pulling flare outward towards you. (This may take a decent amount of pressure.)

4. Once stock flare is off the vehicle, using a "push pin" tool remove the remaining clips that did not come out with the stock flare.





## Installation Instructions

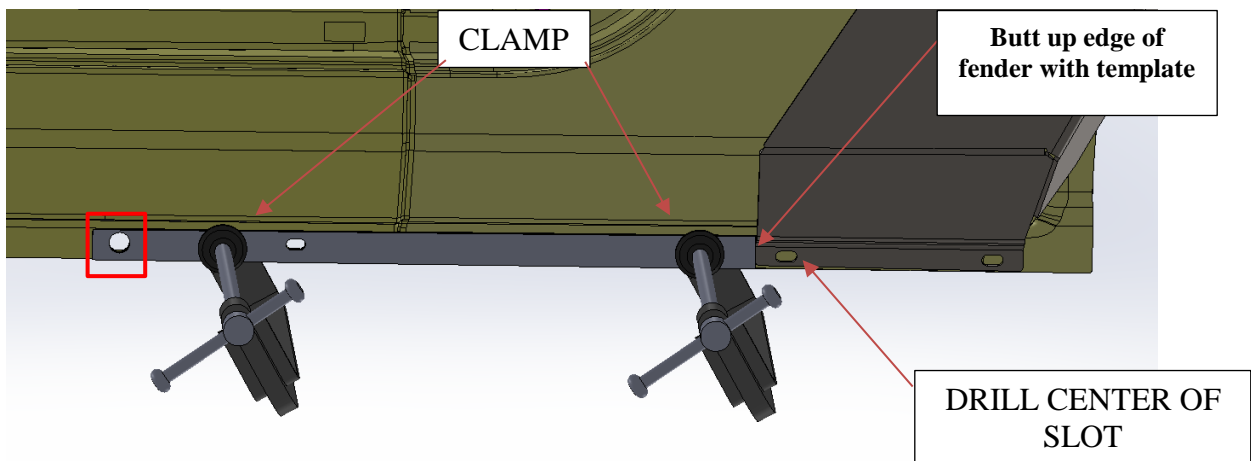
### Rear Fender Base

SKU: JK4000

2007-2015 Jeep JK 2 Door

### III. Fab Fours Fender Base Installation

1. Start by lining the forward most mounting hole of template with existing hole in pinch seam of jeep, indicated by square in image below. Butt up flange with edge of template and make sure top of fender is parallel with vehicle contour, indicated by oval in image below. Holding fender in place; mark center of slots, drill front slot in marked location with  $\frac{1}{4}$ " bit, and secure front slot using provided m6 hardware.





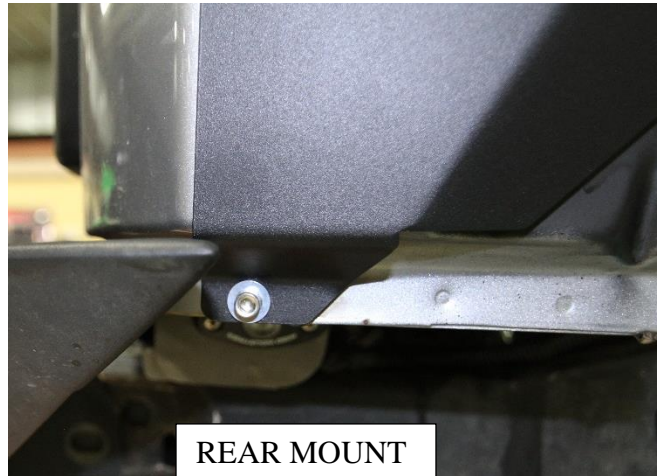
## Installation Instructions

### Rear Fender Base

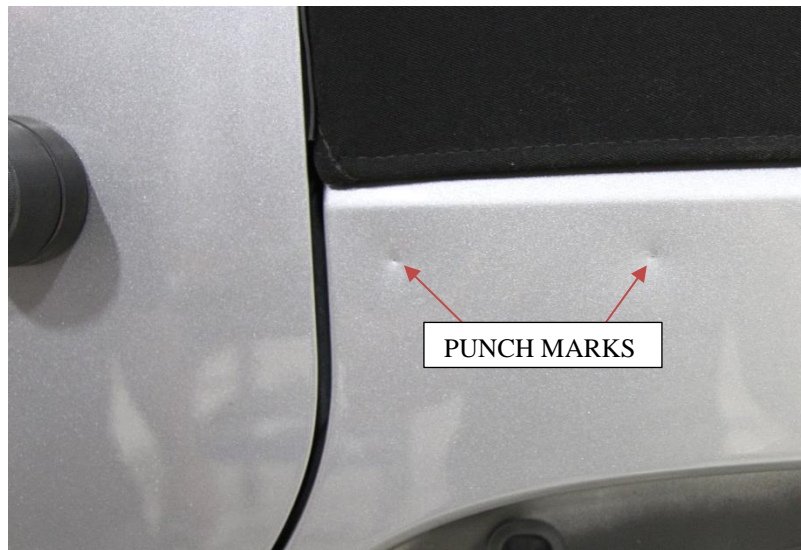
**SKU: JK4000**

2007-2015 Jeep JK 2 Door

2. With front bolt tight, line up the bottom rear mounting point of fender. Making sure fender is still aligned and flush to vehicle using  $\frac{1}{4}$ " drill bit, drill through rear mounting point into pinch seam of jeep first, then drill front. Using provided M6 hardware secure the rear of fender to vehicle.



3. With fender base held in place, using a  $\frac{15}{32}$ " transfer punch, mark the center of the mounting holes. Once holes are marked, remove fender base.





## Installation Instructions

### Rear Fender Base

**SKU: JK4000**

2007-2015 Jeep JK 2 Door

4. Once fender is removed, you can begin drilling. Start out by drilling all punch marks with the 1/4" drill bit. Follow behind that with the 17/32" drill bit.



5. With all the holes drilled out to 17/32" you can now begin installing rivet nuts with provided rivet nut tool. See below.



6. Once all rivet nuts are installed you can install the fender base. Start by re-installing the M-6 hardware into the pinch





## Installation Instructions

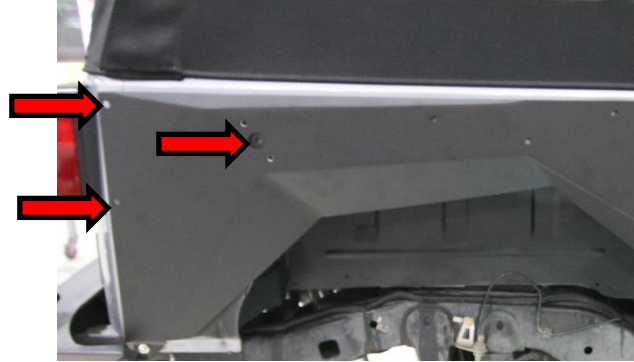
### Rear Fender Base

SKU: JK4000

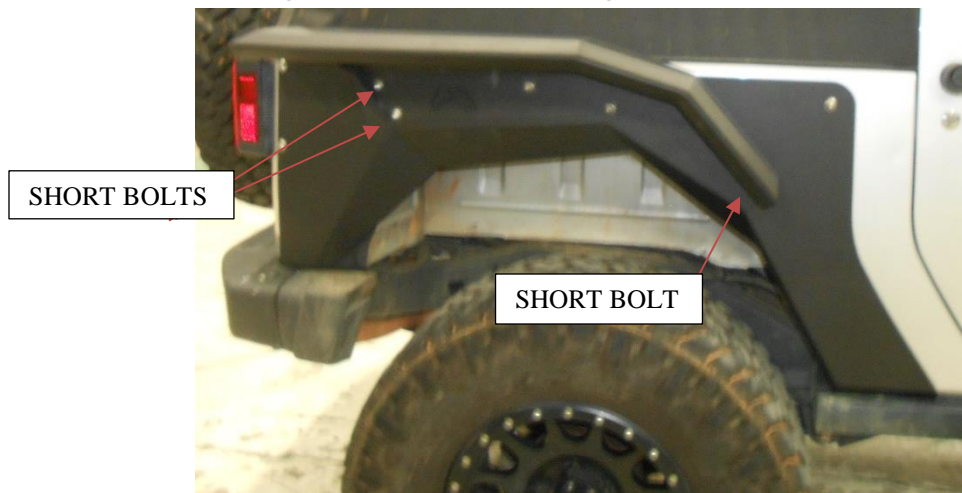
2007-2015 Jeep JK 2 Door

seam of jeep. This will hold the fender on vehicle while you install the rest of the hardware.

7. Install the two rear bolts first, then install the recessed bolt as shown below. Once recessed bolt is installed you must tighten at this time, as the fender skin will cover it.



8. With the recessed bolt tightened you can now install the fender skin and remaining hardware. Start by lining up the mounting holes on the fender skin with the mounting holes on the fender base. Install all short bolts in location shown below to help hold fender skin in place.



9. With fender skin held in place you can now install remaining hardware into fender. Once all hardware is loosely installed you can tighten all hardware securing the fender to the vehicle.

**Repeat steps 1 through 9 to install other side.**







## Installation Instructions

Rear Fender Base

SKU: JK4000

2007-2015 Jeep JK 2 Door

### IV. Maintenance/Care

- Periodically check and tighten all nuts.
- Stripped, fractured, or bent bolts or nuts need to be replaced.

### V. Contact Information

Fab Fours Inc.  
2213 Industrial Park Road  
Lancaster, SC 29720

Phone (866)-385-1905  
Fax (970)-385-1914  
Email [Support@fabfours.com](mailto:Support@fabfours.com)



**More than expected... Better than expected.**

