



Installation Instructions

JK 4 Door Lightweight Rock Sliders

Product Number: G1450
Application: '07-Current Jeep JK 4 Door Unlimited

SAFETY

Your safety and the safety of others is very important.

- In order to help you make informed decisions about safety, we have provided installation instructions and other information.
- These instructions alert you to potential hazards that could hurt you or others.
- Please do a job safety analysis (JSA) before each task to identify potential hazards for your situation and remove/protect against them.
- You must use your own good judgment, and take your time.

Read and understand all safety precautions and instructions before installing this product.

THIS PRODUCT IS FOR OFFROAD USE ONLY. ALL LIABILITY FOR INSTALLATION AND USE RESTS WITH THE OWNER.

CARELESS INSTALLATION AND OPERATION CAN RESULT IN SERIOUS INJURY OR EQUIPMENT DAMAGE.

Injury hazard

Failure to observe these instructions could lead to severe injury or death.

- Always** remove jewelry and wear eye protection.
- Always** use extreme caution when jacking up a vehicle for work. Set emergency brake and use tire blocks. Locate and use the vehicle manufacturers designated lifting points. Use jack stands.
- Always** use appropriate and adequate care in lifting components into place.
- Always** insure components will remain secure during installation and operation.
- Always** wear safety glasses when installing this kit. A drilling operation will cause flying metal chips. Flying chips can cause serious eye injury.
- Always** use extreme caution when drilling on a vehicle. Thoroughly inspect the area to be drilled (on both sides of material) prior to drilling, and relocate any objects that may be damaged.
- Always** use extreme caution when cutting and trimming during fitting.
- Always** tighten all nuts and bolts securely per installation instructions.
- Always** route electrical cables carefully. Avoid moving parts, components that become hot and rough or sharp edges.
- Always** insulate and protect all exposed wiring and electrical terminals.
- Always** perform regular inspections and maintenance on mounts and related hardware.





Installation Instructions

JK 4 Door Lightweight Rock Sliders

Product Number: G1450

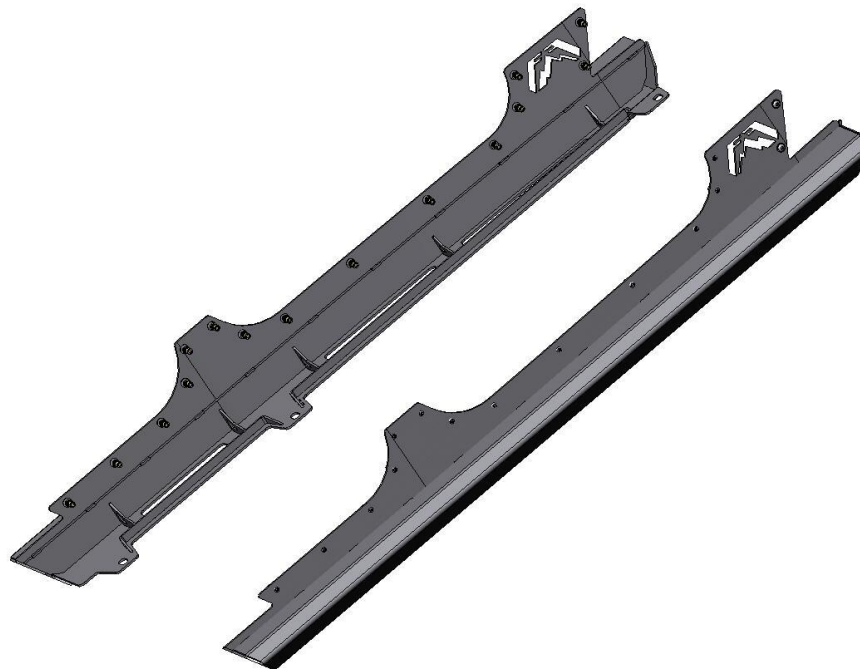
Application: '07-Current Jeep JK 4 Door Unlimited

I. Overview

Congratulations on your new purchase of the industries' best and most stylish set of Rock Sliders available for the Jeep JK! These Rock Sliders have been **engineered** for strength while keeping the weight down.

Your Rock Sliders were designed in 3-D from digitized data, CNC laser cut, fabricated, and powder coated... all in the U.S.A.

Enjoy the fit and finish of a quality Jeep JK Rock Slider from Fab Fours Inc.





Installation Instructions

JK 4 Door Lightweight Rock Sliders

Product Number: G1450

Application: '07-Current Jeep JK 4 Door Unlimited

II. Tools Required

- Socket Wrench with Extension
- 9/16" 10mm, 13mm, & 18mm Sockets
- 7/32" Allen Wrench or Socket Drive(Preferred)
- 9/16" Box End Wrench
- 1/8", 1/4" and 9/16" (17/32" Preferred) Drill Bits
- Sheet Metal Uni-Bit (Step Drill)
- Center Punch
- Floor Jack and wood block.

III. Vehicle Preparation

A. Remove the stock side steps and/or stock rocker guards using 10mm and 13mm sockets. These will not be reused.

B. Clean the entire rocker panel surface of dirt and particles.

IV. Rock Slider Installation

NOTE: The following installation steps apply to the installation of the rock slider to either side of the vehicle. **PLEASE READ THE ENTIRE MANUAL BEFORE ATTEMPTING INSTALLATION!** Ignoring these steps will increase your probability of scratching the vehicle during product Installation!

A. Remove the Rock Sliders from the shipping carton. Lay all items out on a blanket to prevent damage to the powder coating.

B. Remove the three body mount bolts using an 18mm socket.

C. Place Rocker up into place coming into the vehicle from the side (NOT from the bottom!) to clear the fender flares. This can be done easily by using a floor jack.





Installation Instructions JK 4 Door Lightweight Rock Sliders

Product Number: G1450

Application: '07-Current Jeep JK 4 Door Unlimited

D. Install body mount bolts through the sliders into the mounts. Center the slider from front to back and press into the side of the jeep to close the gap. Snug the bolts down do not fully tighten.

E. With slider held into place use a punch to mark the center of all of the holes in the side of the slider.



F. With all hole centers marked with the punch support the slider from below and remove the three body mount bolts.

G. Remove the rock slider from the vehicle.

H. Use the 1/8" drill bit to drill pilot holes in all of the marked locations. Be careful to drill directly perpendicular to the side of the Jeep. Be sure to drill the holes to a depth of 7/8". In some instances this will require drilling through multiple layers of sheet metal.

I. Step up to the 1/4" Drill

J. Final drill out the holes with the 9/16" drill bit (17/32" bit





Installation Instructions JK 4 Door Lightweight Rock Sliders

Product Number: G1450

Application: '07-Current Jeep JK 4 Door Unlimited

is preferred for optimum fit). If available, a sheet metal Uni-Bit or step drill bit can be used after the 1/4" bit.

K. With the expandable tool threaded into the nutsert, insert it into one of the holes making sure that it fits in far enough to flush the collar of the nutsert to rocker panel. (For an exceptional installation, coat the knurls of the Nutsert with Loc-tite.)

L. Place the 9/16" Box end wrench on the body of the expandable tool and the 9/16" socket and ratchet on the bolt head on the back side of the tool. See image below.



M. Tighten the bolt into the nutsert until it becomes snug in the rocker panel. DO NOT OVERTIGHTEN CAUSING THE INSERT TO SPIN!

N. Repeat Steps K-M on the remaining holes.

O. With all nutserts installed, using a floor jack re-install the Rock Slider onto the rocker panel. Install body mount bolts through the Rock Slider and into the Jeep.





Installation Instructions JK 4 Door Lightweight Rock Sliders

Product Number: G1450

Application: '07-Current Jeep JK 4 Door Unlimited

P. Install all 3/8" Stainless button head bolts with washers through the Rock Slider and into the nutserts using the 7/32" Hex key tool.

Optional: If you are installing the skins that are provided with your sliders, do so while performing step "P."

Q. Repeat steps B through P to complete the install of the Rock Slider on the opposite side of the vehicle.





Installation Instructions

JK 4 Door Lightweight Rock Sliders

Product Number: G1450
Application: '07-Current Jeep JK 4 Door Unlimited

V. Maintenance/Care

- Periodically check and tighten all fasteners.
- Stripped, fractured, or bent bolts or nuts need to be replaced.

VI. Contact Information

Fab Fours Inc.
2213 Industrial Park Drive
Lancaster, SC 29720

Phone (866)-385-1905
Fax (866)-574-1424
Email Support@fabfours.com



More than expected... Better than expected

