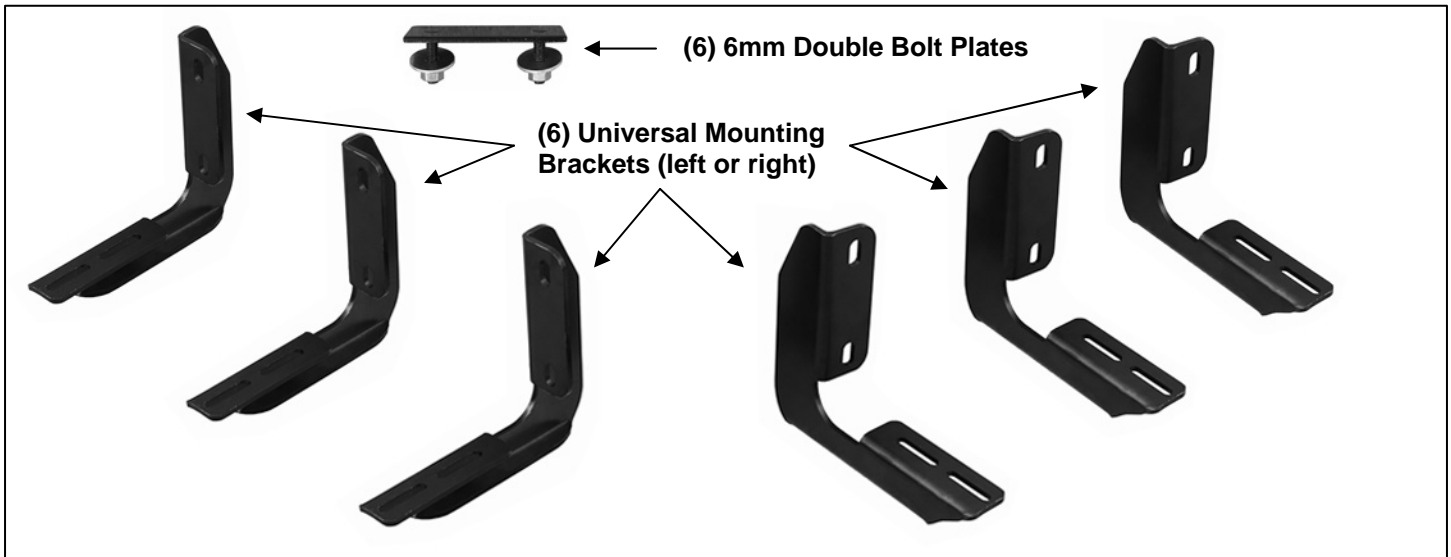


# ROUGH COUNTRY

## SUSPENSION SYSTEMS

Ford 1999-16 F250/350/450/550 Super Duty Crew Cab

2	Steel Steps	6	8-1.25mm Nylon Lock Nuts
6	Universal Mounting Brackets (left of right)	6	6mm Double Bolt Plates
6	8-1.25mm Clip-Nuts	12	6mm x 22mm OD x 2mm Flat Washers
12	8-1.25mm x 25mm Hex Bolts	12	6mm Lock Washers
18	8mm x 24mm x 2mm Flat Washer	12	6mm Hex Nuts
6	8mm Lock Washers		



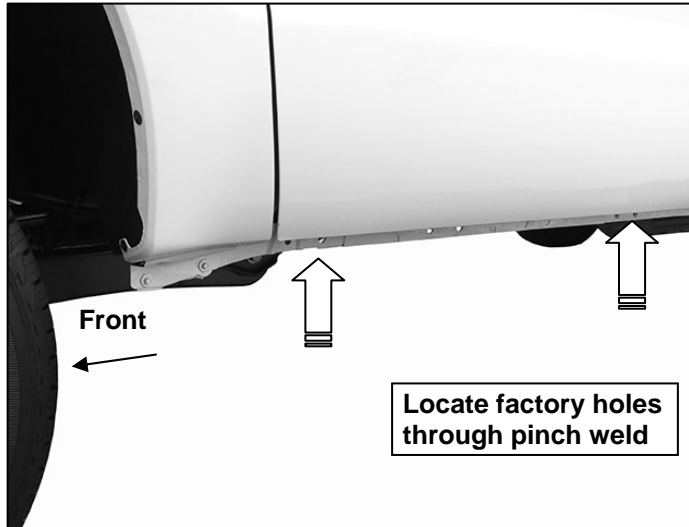
### PROCEDURE:

1. REMOVE CONTENTS FROM BOX. VERIFY ALL PARTS ARE PRESENT. READ INSTRUCTIONS CAREFULLY BEFORE STARTING INSTALLATION.
2. Starting on the front-driver side of the vehicle, locate the (2) holes through the bottom of the body panel, (pinch weld-**Figure 1A**). Next locate the rectangular opening and (2) small holes in the inner body panel directly above the holes in the pinch weld, (**Figures 1B & 2**). **NOTE:** The holes in the inner panel may be covered with sealing tape or insulation, remove as required.
3. Slide (1) 8mm clip nut into the rectangular opening with the nut towards the inside. Line up the threaded nut on the clip with the round hole toward the rear, (**Figure 2**).
4. Select (1) mounting bracket. Attach the top of the bracket to the clip nut with (1) 8mm x 25mm hex bolt, (1) 8mm lock washer and (1) 8mm flat washer, (**Figure 3**). Leave loose at this time. Line up the lower hole in the bracket with the hole through the pinch weld. Bolt the bracket to the pinch weld with (1) 8mm x 25mm hex bolt, (2) 8mm flat washers and (1) 8mm nylon lock nut, (**Figures 3 & 8**). Snug but do not fully tighten bracket hardware.
5. Move to the center mounting location, (**Figure 4**). **NOTE:** There are (4) factory mounting locations along the inner body panel. Installation will use the 1st, 3rd and 4th mounting locations only. Refer to **Figures 1A & 1B** to help identify the correct locations. Repeat **Steps 2—4** to install the center bracket in the rear set of mounting holes, (**Figure 5**).
6. Move toward the rear of the cab. Locate the last pair of holes along the pinch weld. Use **Figure 1B** to determine the correct mounting location for the rear bracket. Repeat **Steps 2—4** to install (1) mounting bracket in the rear pair of holes in the rear location, (**Figure 9**).
7. Once the (3) brackets have been fully installed, select (1) step. Place the step on top of the brackets. Locate the channels in the bottom of the step. Select (3) 6mm double bolt plates, (**Figure 6**). Insert the bolt plates into the channels in the bottom of the step closest to the brackets, (**Figure 7**). Lift the step up and guide the studs through the brackets.

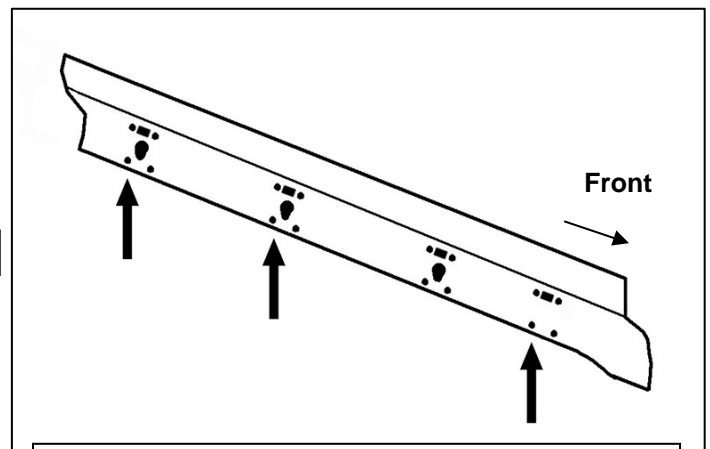
8. Attach the step to the brackets with (6) 6mm flat washers, (6) 6mm lock washers and (6) 6mm hex nuts, **(Figures 8 & 9)**. **NOTE:** The step is designed to fit close to the vehicle. It may be necessary to loosen the bracket hardware slightly and tilt the brackets downward to insert the step between the brackets and the body.
9. Level and adjust the step as necessary and fully tighten all hardware.
10. Repeat **Steps 2—9** for passenger side step installation.
11. Do periodic inspections to the installation to make sure that all hardware is secure and tight.

**To protect your investment**, wax this product after installing. Regular waxing is recommended to add a protective layer over the finish. Do not use any type of polish or wax that may contain abrasives that could damage the finish. Mild soap may be used to clean the Step.

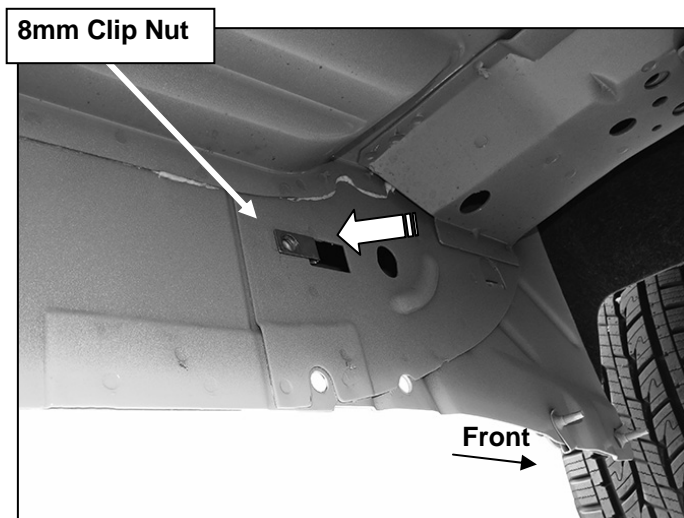
### Driver/left Side Installation Pictured



(Fig 1A) Driver/left front and center mounting locations



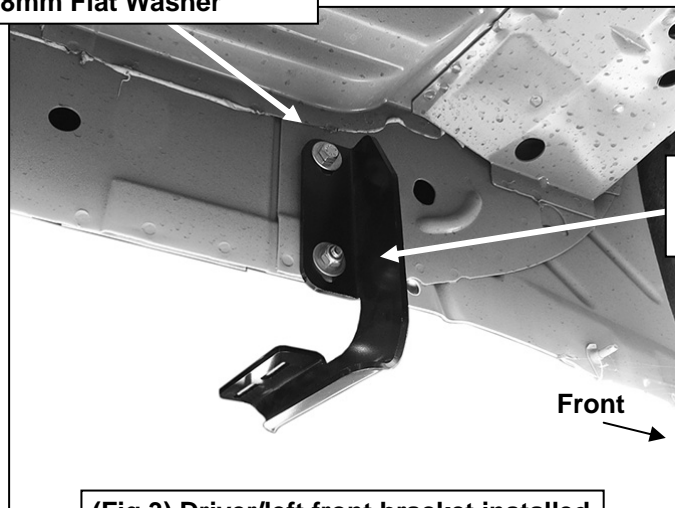
(Fig 1B) Driver/left side mounting area illustrated



(Fig 2) Slide 8mm clip nut into rectangular opening

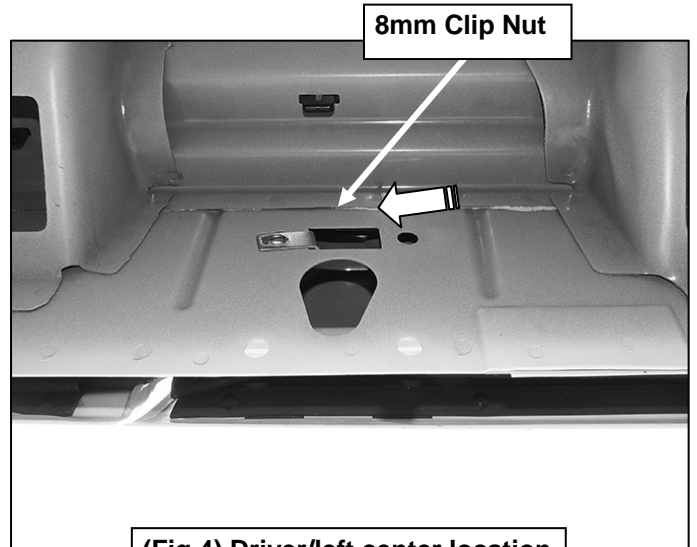
## Driver/left Side Installation Pictured

8mm Clip Nut  
8mm x 25mm Hex Bolt  
8mm Lock Washer  
8mm Flat Washer



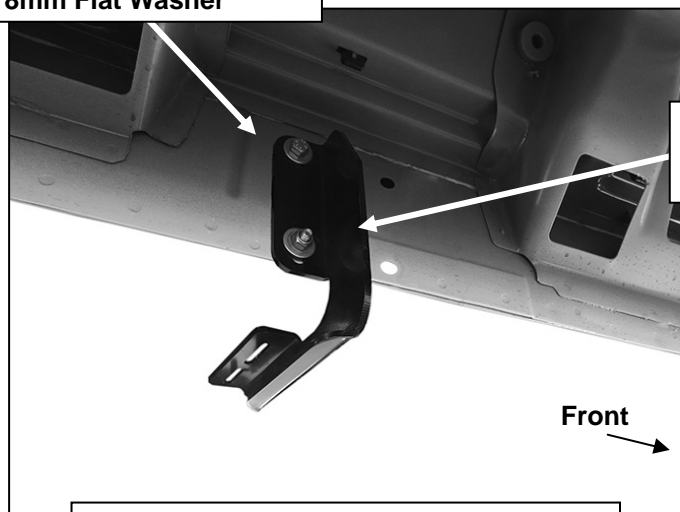
(Fig 3) Driver/left front bracket installed

8mm x 25mm Hex Bolt  
(2) 8mm Flat Washers  
8mm Nylon Lock Nut



(Fig 4) Driver/left center location

8mm Clip Nut  
8mm x 25mm Hex Bolt  
8mm Lock Washer  
8mm Flat Washer



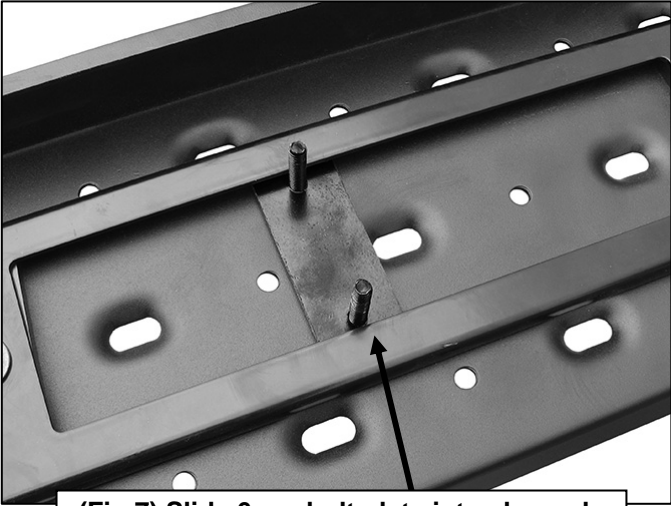
(Fig 5) Driver/left center bracket installed

8mm x 25mm Hex Bolt  
(2) 8mm Flat Washers  
8mm Nylon Lock Nut



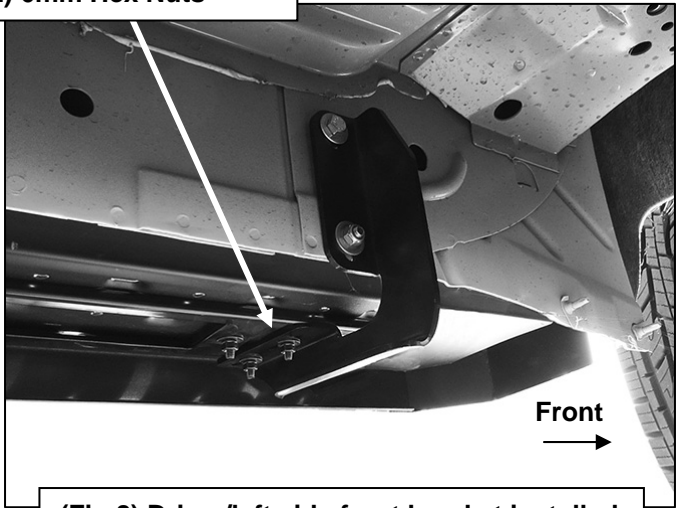
(Fig 6) 6mm Double Bolt Plate

**Driver/left Side Installation Pictured**



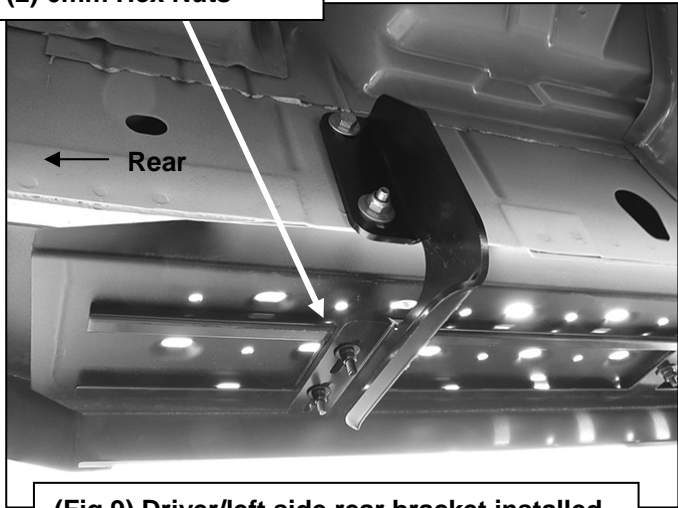
**(Fig 7) Slide 6mm bolt plate into channels**

- (2) 6mm Flat Washers**
- (2) 6mm Lock Washers**
- (2) 6mm Hex Nuts**



**(Fig 8) Driver/left side front bracket installed**

- (2) 6mm Flat Washers**
- (2) 6mm Lock Washers**
- (2) 6mm Hex Nuts**



**(Fig 9) Driver/left side rear bracket installed**

<b>Thread Size</b>	<b>Wrench Size</b>	<b>Torque Spec</b>
6mm	10mm	8 ft/lb
8mm	13mm	18 ft/lb
10mm	17mm	37 ft/lb
12mm	18mm	65 ft/lb

By purchasing any item sold by Rough Country, LLC, the buyer expressly warrants that he/she is in compliance with all applicable, State, and Local laws and regulations regarding the purchase, ownership, and use of the item. It shall be the buyer's responsibility to comply with all Federal, State and Local laws governing the sales of any items listed, illustrated or sold. The buyer expressly agrees to indemnify and hold harmless Rough Country, LLC for all claims resulting directly or indirectly from the purchase, ownership, or use of the items.