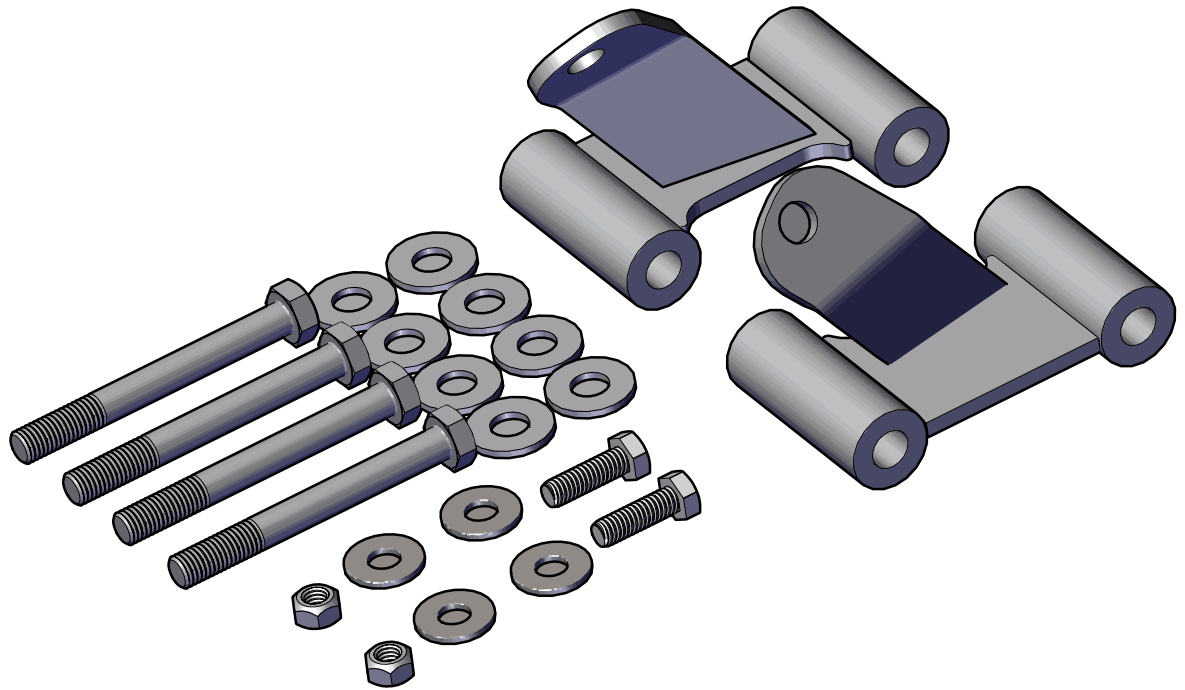


# TERAFLEX

## PRODUCT INSTALLATION GUIDE

### JK Rear Shock Extension Kit

Part #1554800



#### **Important Notes:**

*Prior to beginning this or any installation read these instructions to familiarize yourself with the required steps and evaluate if you are experienced and capable to personally perform these modifications.*

*Refer to the parts list to ensure that all necessary components and hardware has been included. If any parts are missing please contact your local retailer for assistance.*

#### **Tools needed:**

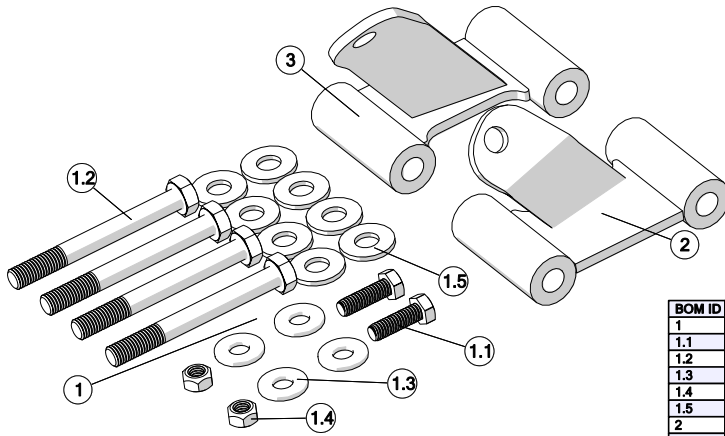
- Basic Mechanics tool set

#### **TeraFlex, Inc.**

5680 W Dannon Way  
West Jordan, UT 84081  
Phone/801.288.2585  
Fax/801.713.2313  
www.teraflex.com

999161

Revised: 16 Dec, 2013 DTB



BOM ID	Part Number	Description	Qty
1	5022	Nut Bolt RR Shock Ext JK 888HRWRSXJK THB	1
1.1	152	Bolt 5/16"-18 x 1" UNC Hex Head Zinc Plated	2
1.2	158	Bolt M10 x 1.5 P x 90mm Long Hex Head Zinc Plated	4
1.3	38	Washer 5/16" Flat Zinc Plated	4
1.4	632	Nut 5/16"-18 UNC Stover Locknut	2
1.5	84	Washer 3/8" FLAT zinc	8
2	554801	Extension Shock Raw JK Rear Upper Driver	1
3	554802	Extension Shock Raw JK Rear Upper Passenger	1

## Installation Instructions:

1. Remove the rear shocks.
2. Locate and install the left rear shock extension. Using the supplied 5/16" bolt and nut, hold the extension bracket into place. Start one of the M10 x 90 mm long bolts. (Figure 1)
3. Slide the shock bar pin into place. Install the other bolt and torque both M10 bolts to 37 ft-lbs. Tighten the 5/16" bolt. (Figure 2)
4. Install the bottom end of the shock into the shock bracket on the axle. Torque the bolt to 56 ft-lbs when the vehicle is sitting at ride height. (Figure 3 & 4)
5. Repeat for the other side.

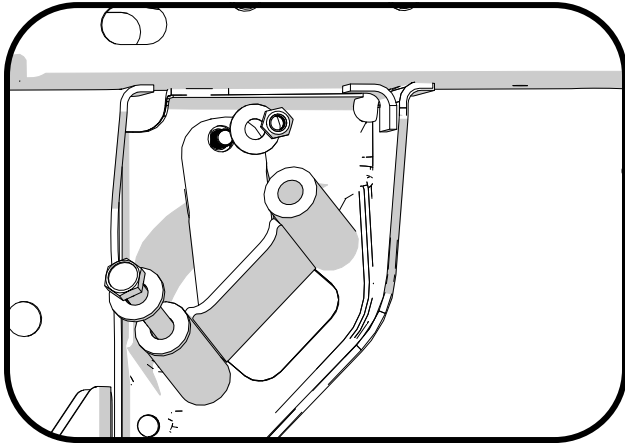


Figure 1

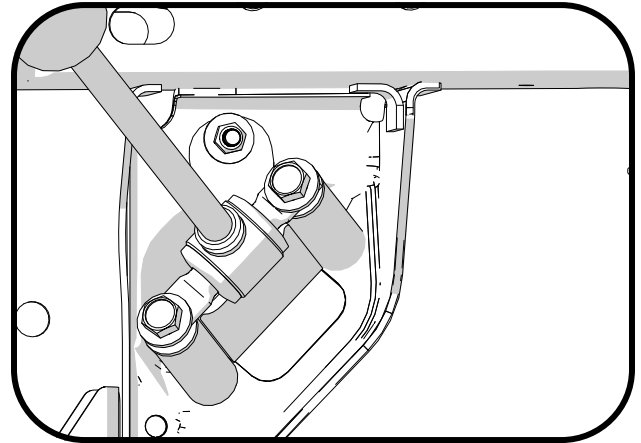


Figure 2

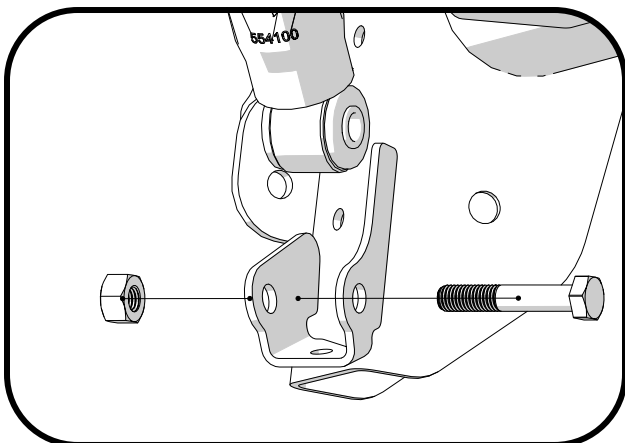


Figure 3

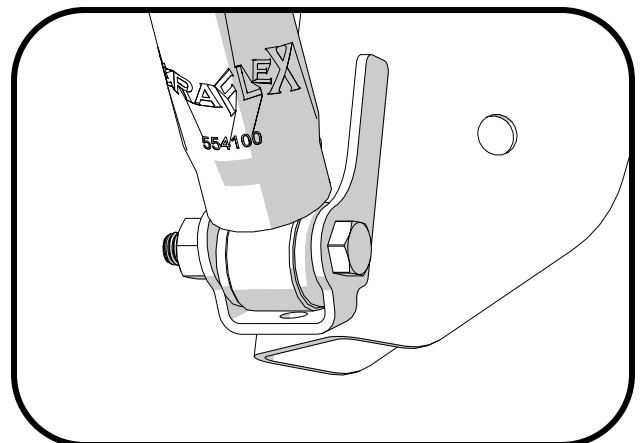


Figure 4

999161

Revised: 16 Dec, 2013 DTB

**TERAFLEX**  
PRODUCT INSTALLATION GUIDE

# **TERAFLEX** **PRODUCT INFORMATION**

## **MAINTENANCE INFORMATION:**

It is the buyer's responsibility to have all suspension, drivetrain, steering, and other components checked for proper tightness and torque after the first 100 miles and every 3000 miles after that.

## **NOTICE TO INSTALLER:**

The enclosed "Warning to Driver" sticker must be installed in the vehicle in driver's view. This sticker is to act as a constant safety reminder when operating the vehicle. It is your responsibility as the equipment installer to install the provided sticker and to forward the product instructions to the vehicle's owner for review. If a "Warning to Driver" sticker or product installation guide were not included in the kit, FREE replacement stickers and instructions are available by request. It is the installer's duty to ensure a safe and controllable vehicle after the modifications have been performed.

## **WARNING:**

Neither the seller nor the manufacturer will be liable for any loss, damage, or injury directly or indirectly arising from the use of or inability to determine the use of these products. Before using, the user shall determine the suitability of the products for its intended use, and the user shall assume all responsibility and risk in connection therewith.

## **WARNING TO DRIVER:**

This vehicle has been modified to enhance off road performance and has unique handling characteristics. Use in harsh environments can cause extreme stress on the components. Vehicle should be inspected after being off road to make sure that all the components are in working order and safe to travel on the highway. All fasteners should be checked so that they are at the correct torque specifications as the vibration and stresses from off-roading may cause critical fasteners to work loose. Extra care should be taken to inspect the critical components, steering, and brake systems. During each oil change components such as arms, tie rod ends, etc. should be greased and checked for excessive wear. Any worn components should be replaced. When returning to the pavement always set or restore tire air pressure to the factory recommendation and connect or engage any disabled sway bar mechanisms. Because of the higher center of gravity and larger tires, this vehicle handles and reacts differently than many passenger cars, both on and off road. You must drive it safely! Extreme care should be taken to prevent vehicle rollover or loss of control, which can result in serious injury or death. Avoid sudden sharp turns or abrupt maneuvers. Generally, braking performance and capabilities are decreased when significantly larger/heavier tires are used, especially when used in combination with transfer case low-range reduction kits. Take this into consideration while driving. Do not add, alter or fabricate any factory or aftermarket parts to increase vehicle height over the intended height of the TeraFlex product purchased. Mixing component brand is not recommended. TeraFlex Inc. will not be responsible for any altered product or any improper installation or use of our products. We will be happy to answer any questions concerning the design, function, and correct use of our products. It is ultimately the buyer's responsibility to have all bolts/nuts checked for tightness after the first 100 miles and then every 3000 miles. Wheel alignment, steering system, suspension and drive line systems must be inspected by a qualified professional mechanic at least every 3000 miles.

## **TERAFLEX PRODUCT WARRANTY:**

Tera Manufacturing warrants TeraFlex Suspension products to the original retail purchaser to be free of defects in material and workmanship for as long as the original purchaser owns the vehicle on which products were originally installed. Failure to complete regular maintenance (grease every 3000 miles) on TeraFlex FlexArms will void this warranty. All other conditions of the standard TeraFlex product warranty apply.

All TeraLow products are covered by TeraFlex's two (2) year warranty to be free of defects in material and workmanship for two years from date purchased.

Tera axles are covered by a 12-month warranty to be free of defects in materials and workmanship. This warranty does not cover or include product finish, improperly installed or applied products, improperly maintained products, products or components used for racing or competition or damage due to abuse or neglect, products that fail due to the use of larger tire and wheel combinations.

All returns must be accompanied by an original invoice. It is the customer's responsibility to remove the product from the vehicle. Shipping charges are the responsibility of the customer. Tera Manufacturing will pay the return freight if the product meets the terms of warranty.