



JK 1.5" Spring Lift

www.TERAFLEX.com

#1351500 4 Door

#1351502 2 Door



Important Notes:

Prior to beginning this or any installation read these instructions to familiarize yourself with the required steps and evaluate if you are experienced and capable to personally perform these modifications. A factory service manual should be used in conjunction with these installation instructions.

Refer to the parts list to ensure that all necessary components and hardware has been included. If any parts are missing please contact your local TeraFlex dealer for assistance.

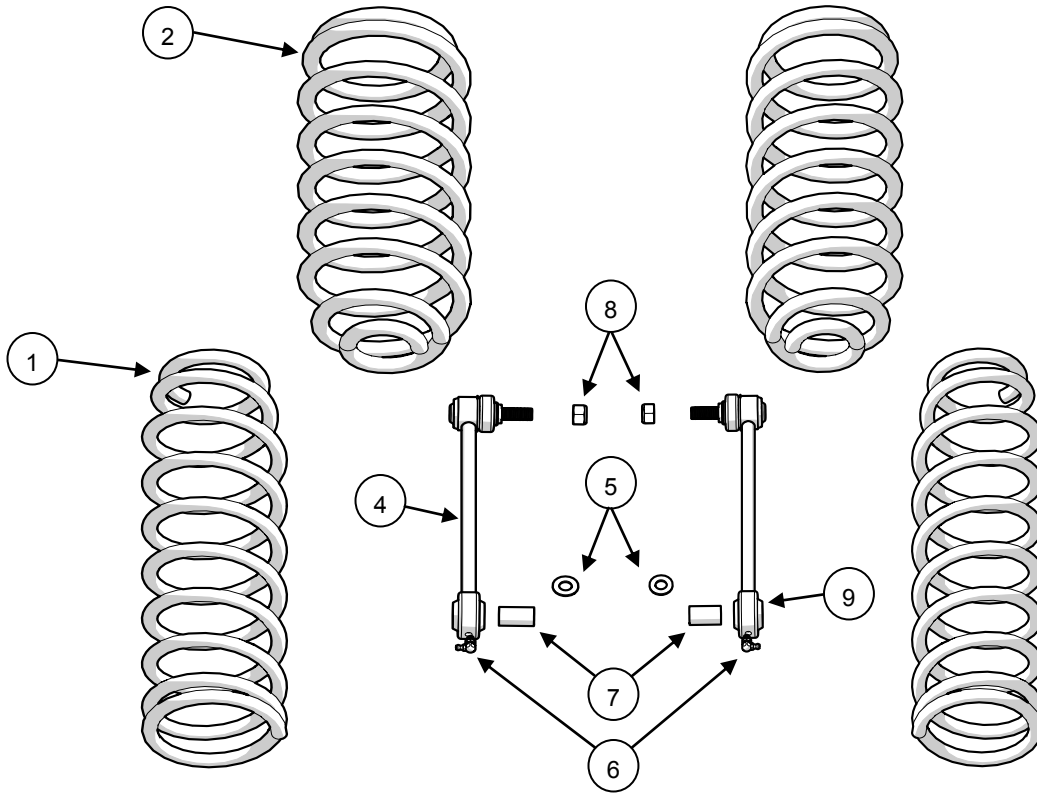
Tools needed:

- Basic Mechanic's Tool Set
- 10, 14, 15, 16, 17, 18, 19, 21mm sockets and wrenches
- 7/16", 5/8", 3/4" sockets and wrenches
- 3/8" & 1/2" drive ratchets
- 3", 6", & 12" extensions
- Ft-lbs torque wrench
- Breaker bar
- Floor jack
- Jack stands
- Wheel chocks
- Hammer
- Pry bars
- Pliers
- Safety glasses

YouTube

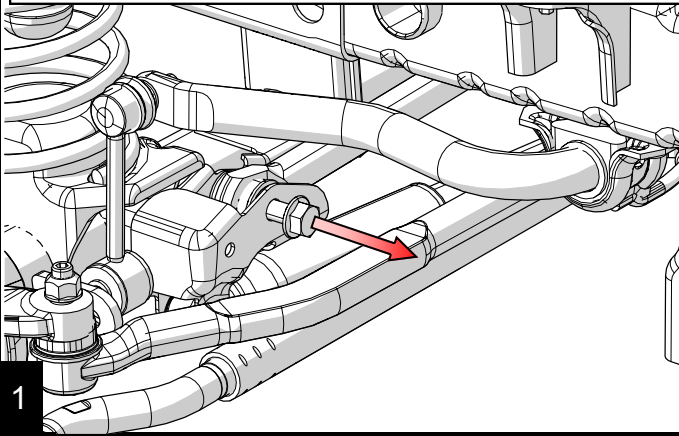


Video shortcut is for the leveling kit but most of the steps are the same and can be useful for reference



Item Number	Part Number	Description	Qty
1	1853020/1853050	JK 2 Door 1.5" Front Spring / JK 4 Door Front Spring	2
2	1854020/1854050	JK 2 Door 1.5" Rear Spring / JK 4 Door Rear Spring	2
3	600057	Hardware Pack for JK Leveling Kits	1
4	753006	JK 0"-3" Front Quick Disconnect Swaybar Link w/ Upper Swivel Stud	2
5	134	Washer 7/16" Flat Zinc Plated	2
6	30890	Grease Zerk 1/4"-28 UNF 90 Degree	2
7	600486	JK Swaybar Link Sleeve 3/4" OD x 12mm ID x 1-1/8 Long	2
8	44	Nut M12 x 1.25 Trivalent Zinc-Plated Hex Nylock Nut for Swivel Studs	2
9	600498	Quick Disconnect Bushing Ball	2
10	600113	Scuff Pad 23-3/4" x 15-1/4" 3 Score	1
11	600196	Warning to Driver Sticker	1
12	5131207	TeraFlex 6"x8" Sticker Sheet	1
13	5131201	TeraFlex Large Windshield Sticker - Silver	1
14	999116	Instructions for JK Wrangler 1.5" Spring Lift	1

With the Jeep still on the ground remove the track bar bolts on both the front and rear axle, using a 21mm socket, and then remove the track bars.



Next, **loosen** all the control arm bolts using a 21mm socket.

CAUTION!

DO NOT REMOVE ARMS OR BOLTS!

Now, lift up the vehicle and support it using jack stands under the frame. Make sure the vehicle is lifted high enough that the axle can drop sufficiently to remove the coil springs. Note: when the wheels are removed the axles will be able to drop more.

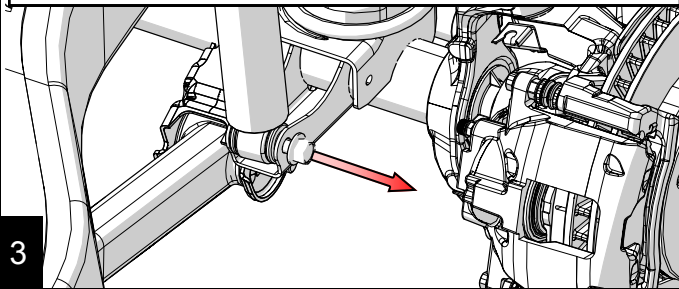
With the Jeep now secure remove the wheels.

2

Front installation:

Support the front axle with a jack. Slightly lift the axle, relieving shock tension, and remove the bottom bolts. Note: Removing the nut from the bolt prior to lifting axle, a slight pressure can be applied to the bolt while lifting the axle making it easier to remove the bolts.

Nut and bolt are 18mm.

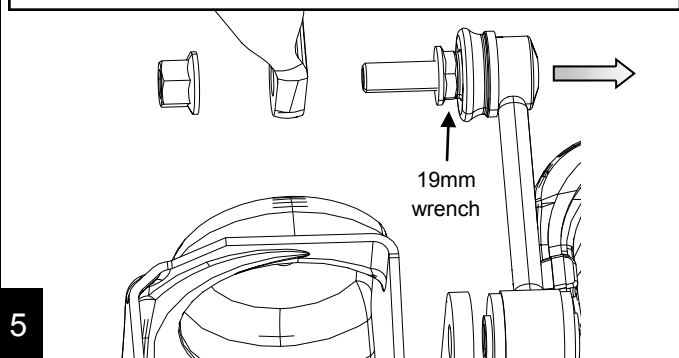


On 2012 and newer remove the 10mm bolt in the brake line retainer bracket and pull it loose. Also free up any other wiring or lines that may restrict axle drop.

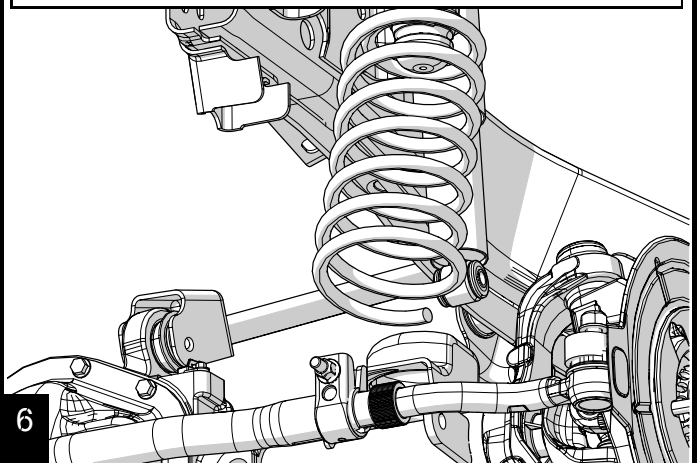
TeraFlex Install: JK Leveling Kit (1155200)



Remove sway bar links, using an 18mm socket and wrench at the axle and an 18mm socket and 19mm wrench at the sway bar. Keeping an eye on wiring and lines lower the jack enough to remove springs. Remove springs starting with the drivers side.

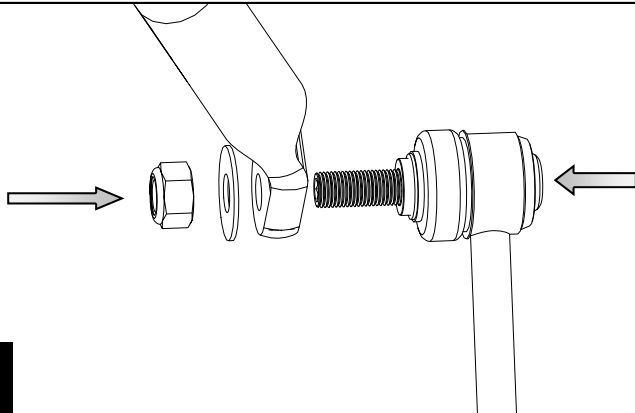


Remove front coil springs. Install new 1.5 inch coil springs, starting with the drivers (left) side first.



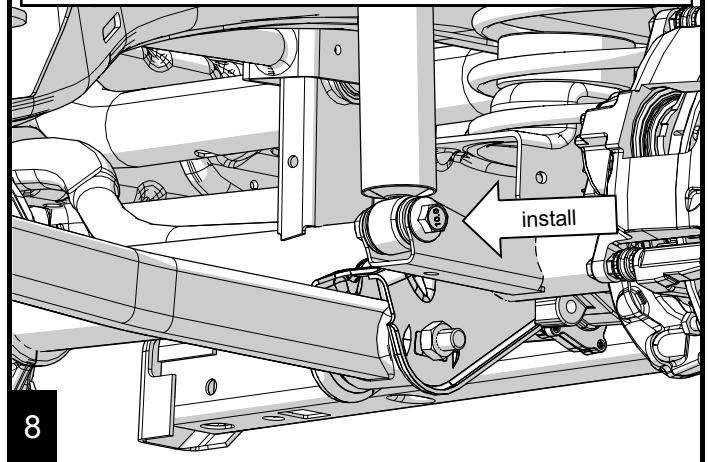
Install the new sway bar links on the outside of the sway bar and inside of the axle mount.

Torque to 75 ft-lbs.



7

Lift the front axle and install the lower shock bolts.
Torque to 56 ft-lbs.



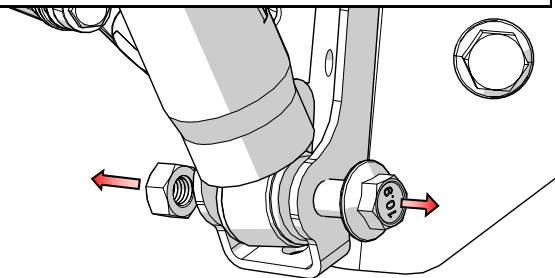
8

Rear Installation:

Support the rear axle with a jack. Slightly lift the axle, relieving shock tension, and remove the bottom bolts.

Note: Removing the nut from the bolt prior to lifting axle, a slight pressure can be applied to the bolt while lifting the axle making it easier to remove the bolts.

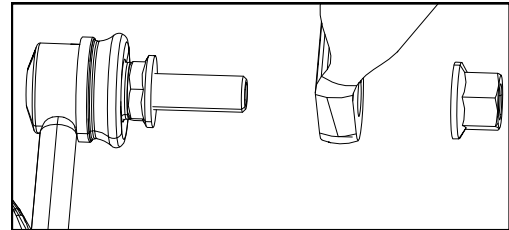
Nut and bolt are 18mm.



9

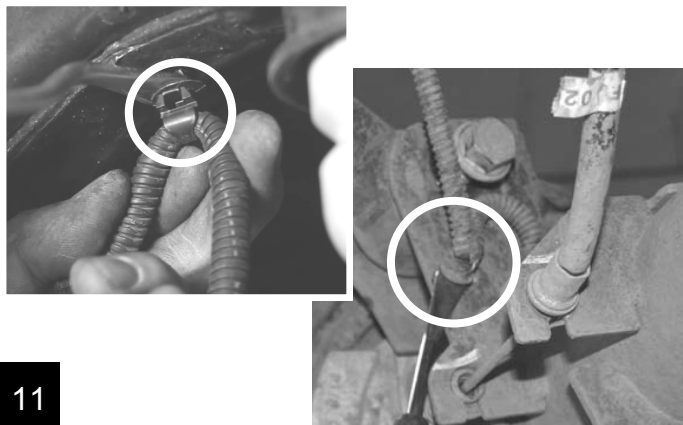
Remove the upper sway bar link from the sway bar arm with an 18mm socket and wrench.

Note: Loosening the bottom bolt of the link, using an 18mm socket and wrench, will help with fitting the wrench between link and sway bar.



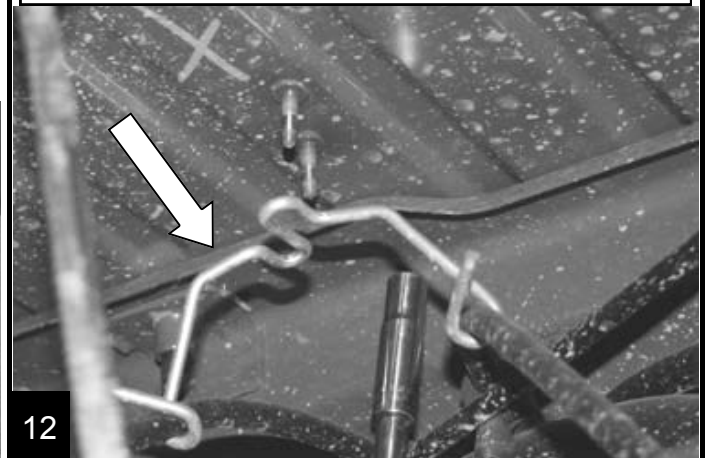
10

Remove the breather tube and the clips that secure the ABS wiring harness at the upper control arm mounts and at the frame.



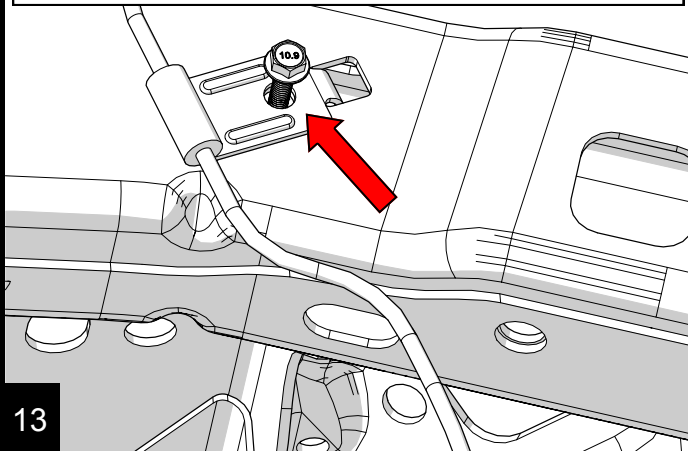
11

Remove the bracket that holds the park brake cables to the body using a 10mm deep well socket.



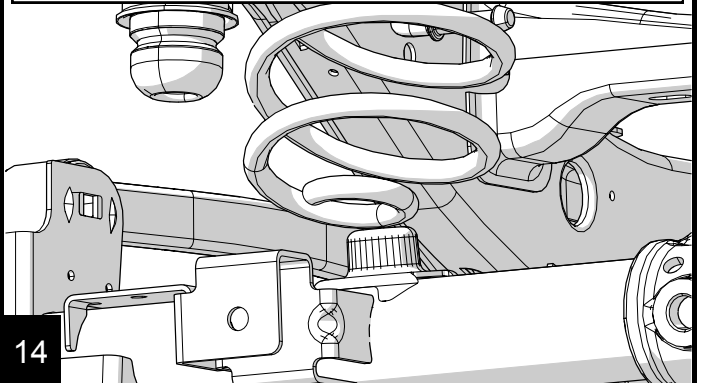
12

Remove the brake line mount at the frame using a 10mm socket.



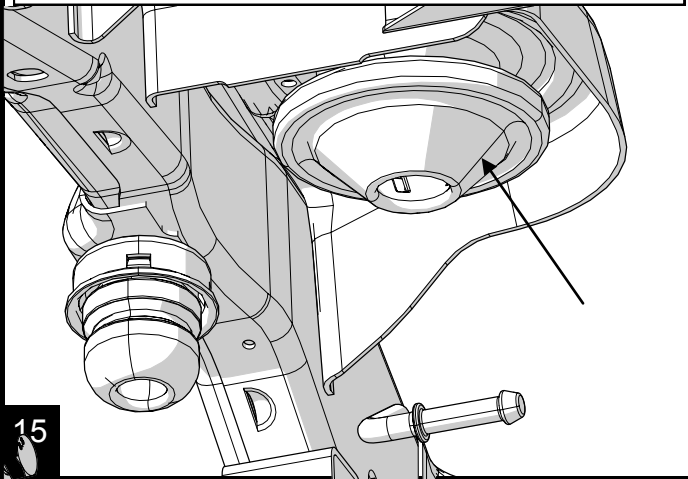
13

Slowly lower the rear axle. Watch carefully not to let the coils fall out and that the brake lines, ABS wires and axle vent hose do not stretch and damage to these vital parts.



14

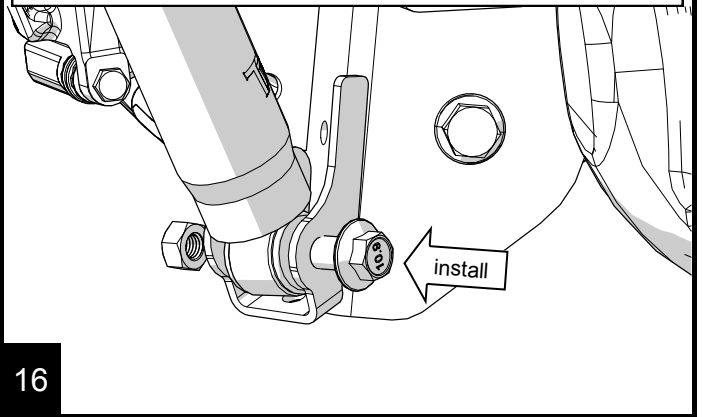
Install the new rear springs. Make sure to reuse the factory spring isolator.



15

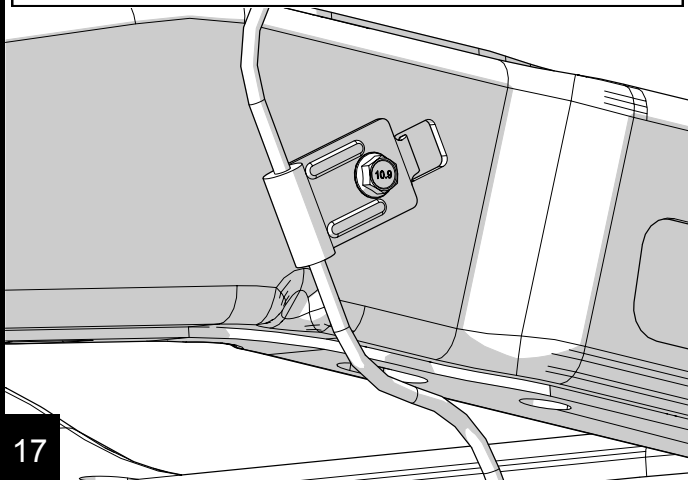
Lifting the rear axle, line up the shock and shock mount bolt holes and install the lower shock bolts.

Torque to 56 ft-lbs.



16

Reinstall the brake line mount and torque to 16 ft-lbs.



17

Remove jack from under axle.
Rear installation complete.

18

All remaining step will be done with the jeep back on the ground and at ride height.

Reinstall the wheels and lower the jeep to the ground. Once on the ground give the Jeep a few quick jounces or bumps to allow the control arm bushings to settle into the newfound load position.

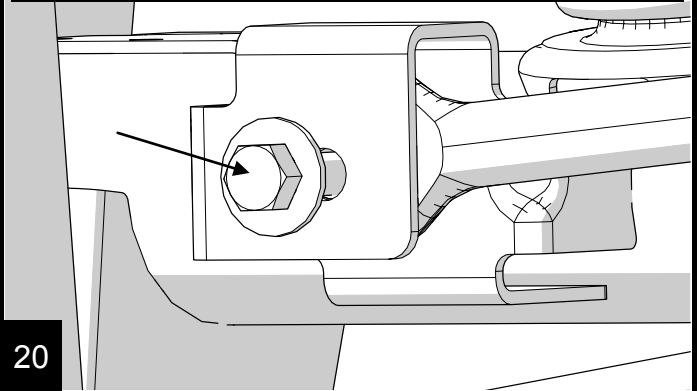
Now tighten all the control arm bolts.

Torque the upper bolts to 75 ft-lbs and the lower bolts to 125 ft-lbs. Torque wheel lug nuts to 95 -115 ft-lbs.

19

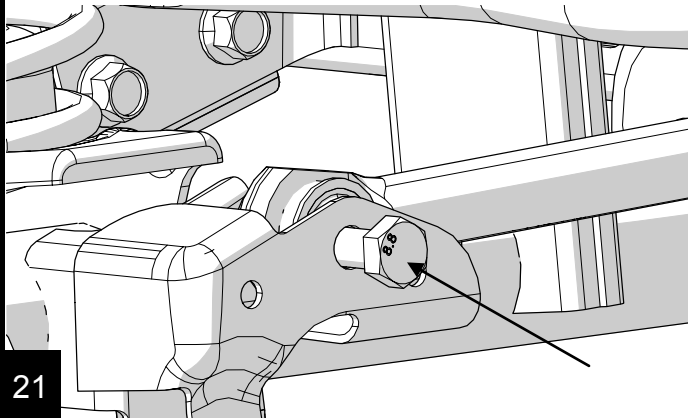
Install the rear track bar. To align the rear track bar to the axle have someone push on the body of the jeep until the bolt holes line up.

Torque bolts to 125 ft-lbs.



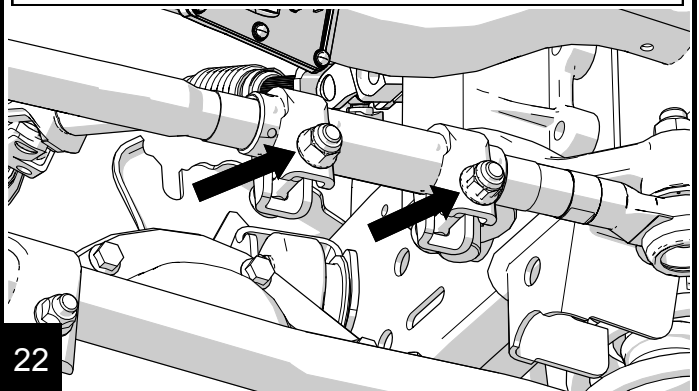
20

Install the front track bar. To align the front track bar have someone move the steering wheel until the bolt holes line up. Torque to 125 ft-lbs.



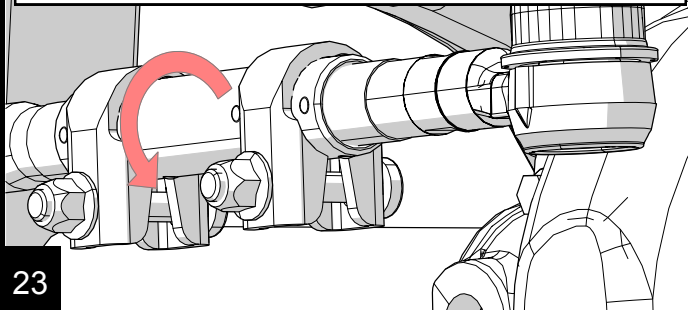
21

To straighten the steering wheel, loosen the adjuster sleeve on the drag link by using 15mm sockets. Mark the position by making a line across the sleeve and the threads this line will indicate the original position.



22

Looking from the drivers side rotate the adjuster sleeve counter clockwise 3/4 of a turn. This should get your steering wheel close to center. Every vehicle is different so test drive yours and determine if yours needs further adjustment. Once steering wheel is straight torque pinch clamp bolts to 34 ft-lbs.



23

Re-torque all fasteners after 300 miles.

24

TERAFLEX

PRODUCT INFORMATION

MAINTENANCE INFORMATION:

It is the buyer's responsibility to have all suspension, drivetrain, steering, and other components checked for proper tightness and torque after the first 100 miles and every 3000 miles after that.

NOTICE TO INSTALLER:

The enclosed "Warning to Driver" sticker must be installed in the vehicle in driver's view. This sticker is to act as a constant safety reminder when operating the vehicle. It is your responsibility as the equipment installer to install the provided sticker and to forward the product instructions to the vehicle's owner for review. If a "Warning to Driver" sticker or product installation guide were not included in the kit, FREE replacement stickers and instructions are available by request. It is the installer's duty to ensure a safe and controllable vehicle after the modifications have been performed.

WARNING:

Neither the seller nor the manufacturer will be liable for any loss, damage, or injury directly or indirectly arising from the use of or inability to determine the use of these products. Before using, the user shall determine the suitability of the products for its intended use, and the user shall assume all responsibility and risk in connection therewith.

WARNING TO DRIVER:

This vehicle has been modified to enhance off road performance and has unique handling characteristics. Use in harsh environments can cause extreme stress on the components. Vehicle should be inspected after being off road to make sure that all the components are in working order and safe to travel on the highway. All fasteners should be checked so that they are at the correct torque specifications as the vibration and stresses from off roading may cause critical fasteners to work loose. Extra care should be taken to inspect the critical components, steering, and brake systems. During each oil change components such as arms, tie rod ends, etc should be greased and checked for excessive wear. Any worn components should be replaced. When returning to the pavement always set or restore tire air pressure to the factory recommendation and connect or engage any disabled sway bar mechanisms. Because of the higher center of gravity and larger tires, this vehicle handles and reacts differently than many passenger cars, both on and off road. You must drive it safely! Extreme care should be taken to prevent vehicle rollover or loss of control, which can result in serious injury or death. Avoid sudden sharp turns or abrupt maneuvers. Generally, braking performance and capabilities are decreased when significantly larger/heavier tires are used, especially when used in combination with transfer case low-range reduction kits. Take this into consideration while driving. Do not add, alter or fabricate any factory or aftermarket parts to increase vehicle height over the intended height of the TeraFlex product purchased. Mixing component brand is not recommended. TeraFlex Inc. will not be responsible for any altered product or any improper installation or use of our products. We will be happy to answer any questions concerning the design, function, and correct use of our products. It is ultimately the buyer's responsibility to have all bolts/nuts checked for tightness after the first 100 miles and then every 3000 miles. Wheel alignment, steering system, suspension and drive line systems must be inspected by a qualified professional mechanic at least every 3000 miles.

TERAFLEX PRODUCT WARRANTY:

TeraFlex Inc. warrants TeraFlex Suspension products to the original retail purchaser to be free of defects in material and workmanship for as long as the original purchaser owns the vehicle on which products were originally installed.

Failure to complete regular maintenance (grease every 3000 miles) on TeraFlex FlexArms will void this warranty. All other conditions of the standard TeraFlex product warranty apply.

All TeraLow products are covered by the TeraFlex two (2) year warranty to be free of defects in material and workmanship for two years from date purchased.

TeraFlex axles are covered by a 12-month warranty to be free of defects in materials and workmanship.

This warranty does not cover or include product finish, improperly installed or applied products, improperly maintained products, products or components used for racing or competition or damage due to abuse or neglect, products that fail due to the use of larger tire and wheel combinations.

All returns must be accompanied by an original invoice. It is the customer's responsibility to remove the product from the vehicle. Shipping charges are the responsibility of the customer. TeraFlex Inc. will pay the return freight if the product meets the terms of warranty.

This warranty is for the replacement or repair of defective TeraFlex products only and does not include freight charges, labor charges for removal of or installation of TeraFlex or related products or components, costs incurred due to down time of the vehicle, or lost profits due to vehicle down time.

A returned goods authorization number (RGA#) must accompany any returned products. For more information please contact a TeraFlex customer service representative.

COPYRIGHT

©Copyright 2014. All rights reserved, TeraFlex Inc. Reproduction of this catalog and/or any of its contents without written permission is strictly prohibited.

TeraFlex® is a registered trademark of TeraFlex Inc. All trade names and logos including but not limited to TeraFlex, FlexArms, RockGuard, Monster, and LCG are protected by law and duplication of trade names and/or logos are strictly prohibited.

TeraFlex Inc. reserves the right to update, discontinue, redesign, modify finish, part number or component build parts if deemed necessary without written notice.

TeraFlex Inc., and any associated dealers are not responsible for misprints or typographical errors that may have inadvertently been made within this instruction sheet.

TERAFLEX, Inc.

5680 West Dannon Way
West Jordan, Utah 84081
Phone/801.713.3314
Fax/801.713.2313
www.teraflex.com

Jeep® and the Jeep® grill are registered trademarks of Fiat Chrysler Automobiles N.V., and have no affiliation with TeraFlex Inc.