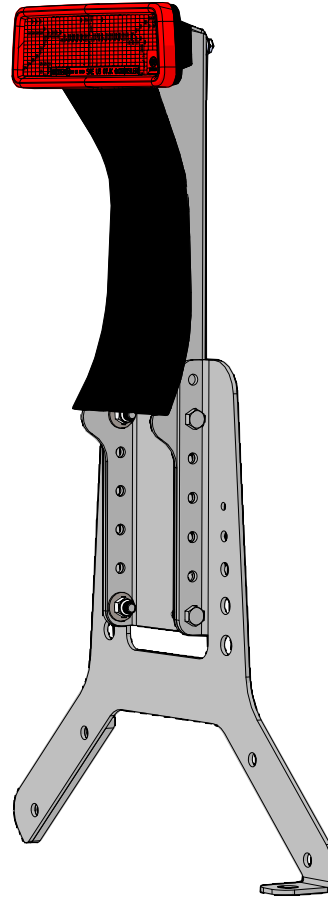


TERAFLEX PRODUCT INSTALLATION GUIDE

JK Third Brake Light Mount with Integrated CB Mount

999172

Part #4997220



*Factory Third Brake Light is not included.

Important Notes:

Prior to beginning this or any installation read these instructions to familiarize yourself with the required steps and evaluate if you are experienced and capable to personally perform these modifications.

Refer to the parts list to ensure that all necessary components and hardware has been included. If any parts are missing please contact your local retailer for assistance.

This third brake light extension is designed to work with the TeraFlex JK HD Hinged Tire Carrier and HD Adjustable Mount (4838150). It may also work with other aftermarket bumper mounted tire carriers. This WILL NOT work with the factory spare tire mount.

Tools needed:

- Basic Mechanics tool set

Watch the install video on our YouTube Channel

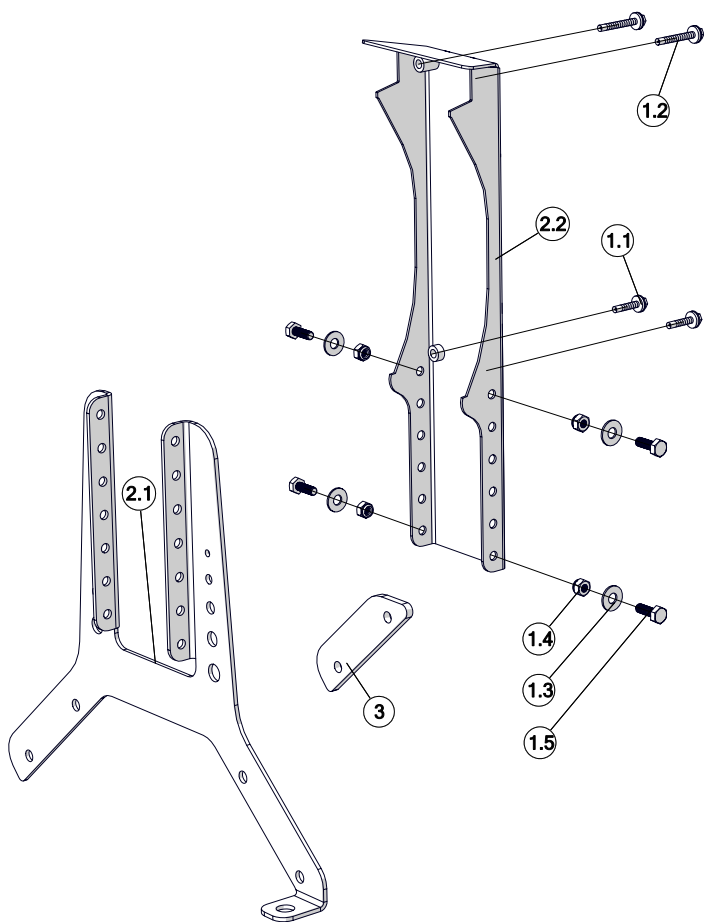
You Tube



TeraFlex, Inc.
5680 W Dannon Way
West Jordan, UT 84081

Phone/801.288.2585
Fax/801.713.2313
www.teraflex.com

999172
Revised: 21 Feb, 2014 DTB



	Part Number	Description	Qty
1.1	121	Screw #10-12 x 1" Vibration Resistant Flanged Hex Head	2
1.2	1211	Screw #10-12 x 1.5" Vibration Resistant Flanged Hex Head	2
1.3	458	Washer 1/4" Flat Zinc Plated	4
1.4	76	Nut 1/4"-28 UNF Nylock Zinc Coated	4
1.5	77	Bolt 1/4"-28 UNF x 3/4" Long Hex Head Zinc Plated	4
2.1	997221	JK Third Brake Light Mount Extension Tailgate Base for HD Hinged Tire Carrier	1
2.2	997222	JK Third Brake Light Mount Extension for HD Hinged Tire Carrier	1
3	997226	JK Third Brake Light Mount Extension Spacer for HD Hinged Tire Carrier	1

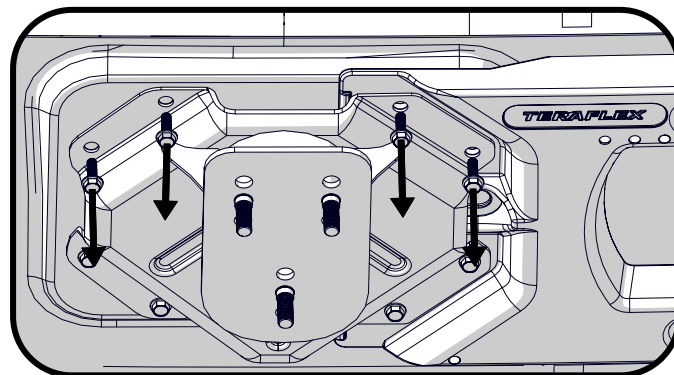


Figure 1

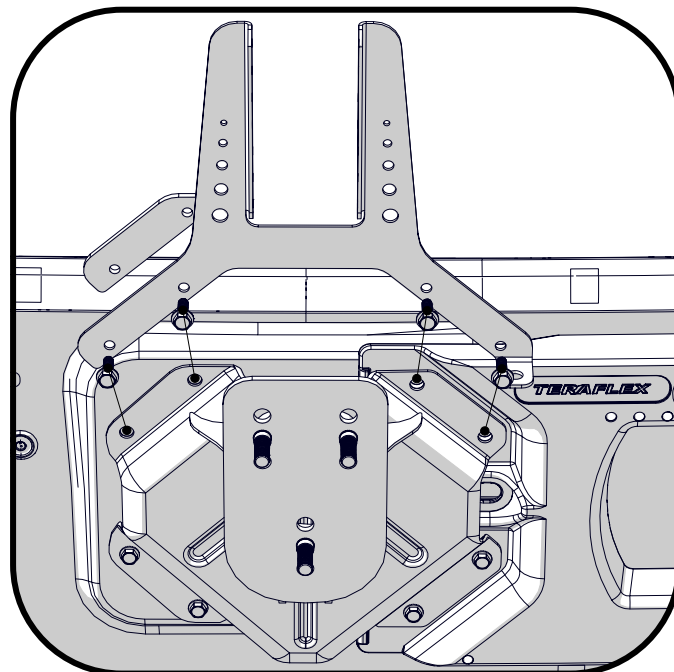


Figure 2

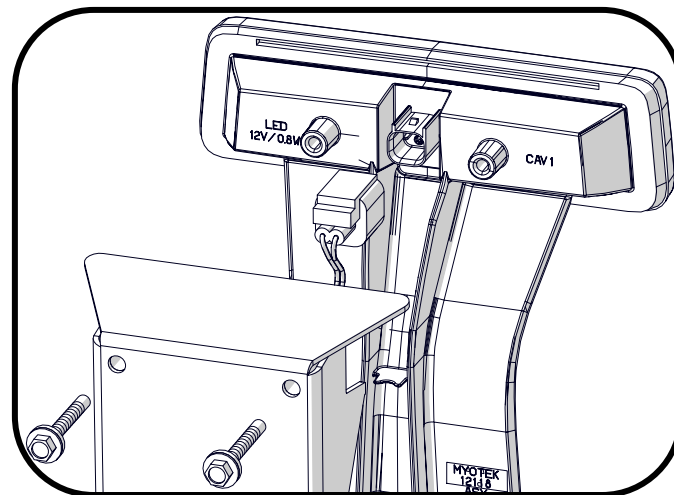


Figure 3

Installation Instructions

1. Take off the spare tire. Remove the 4 upper tire mount bolts and set them aside. (Figure 1)
2. Install the brake light extension base (**999121**) using the 4 bolts you just removed. Be sure to place the included spacer (**997226**) between the tire mount and the brake light extension base. Torque bolts to 21 ft-lbs (28 N-m). (Figure 2)
3. If the third brake light is not plugged in, connect the wiring harness to the light and route the wiring down the back of the factory light housing. (Figure 3)

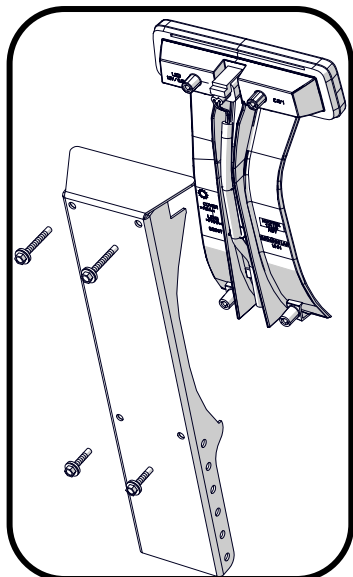


Figure 4

4. Position the light in the extension housing (997222). Note the screw length. The longer screws go in the top holes. (Figure 4)
5. Slide the extension assembly into the base and adjust the brake light height until it looks like it will clear your tire, then loosely install 2 or 3 bolts to hold the assembly in place. (Figure 5)
6. Lift the spare tire back in place and loosely install one lug nut to hold the tire in place. Open the tailgate for easy access to adjust the light mount up or down. (Figure 6)
7. With the spare tire loosely installed adjust the height so the light will be visible. Tighten the four light extension mounting bolts to 8 ft-lbs. (Figure 7)

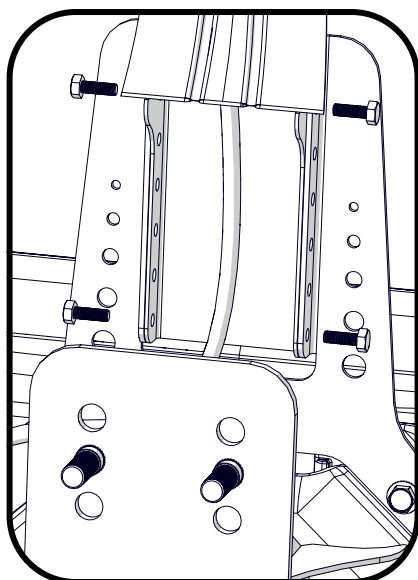


Figure 5

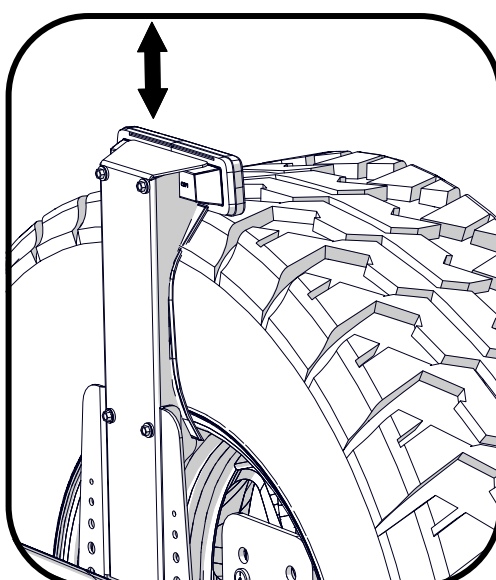


Figure 6

8. Route the wiring harness so it will not be damaged. Use zip ties to hold it in place if necessary. (Figure 8)
9. Reinstall the spare tire and torque the lug nuts between 40 and 80 ft-lbs.
10. The spare tire should be pushed up tightly to the aluminum hinge for added strength. The light extension should also be pushing firmly against the tire.

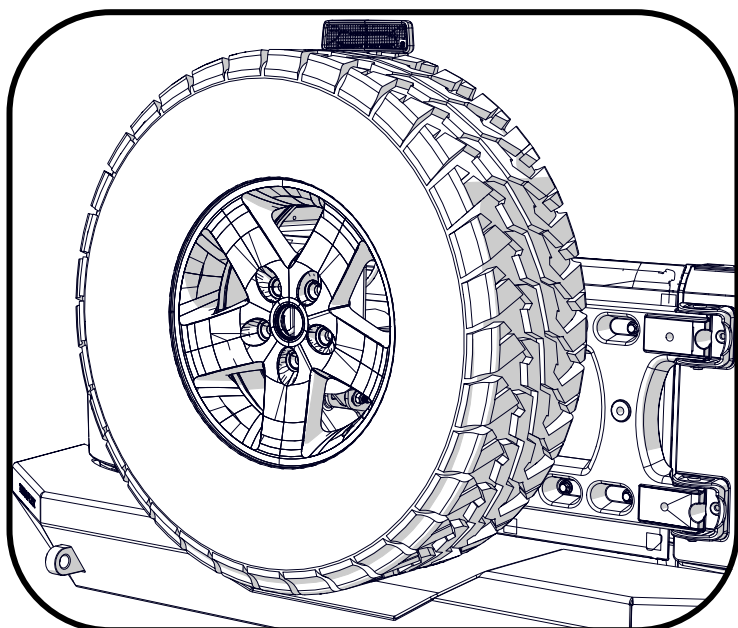


Figure 7

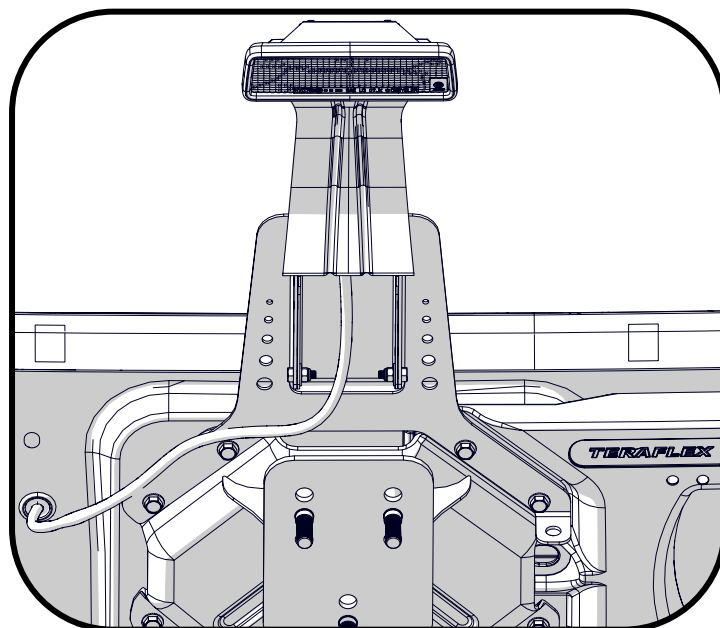


Figure 8

The third brake light extension includes a CB antenna mount. (See Figure 9) Mounting the antenna is straight forward. Use the antenna manufacturer's hardware and instructions. It is the responsibility of the installer to route the wire into the Jeep. There is a grommet on the tailgate slightly below the mount that would work, another option is to push the wire through the tailgate vent. The CB antenna mount also doubles as a great place to mount a dune flag for visibility on the trail.

This third brake light extension can be installed as a stand alone extension. (See Figure 10) Installation is identical to the procedure outlined in this guide, however, the included spacer (997226) DOES NOT need to be used. Simply bolt the base right up to tailgate. This kit WILL NOT work with a factory tire mount!

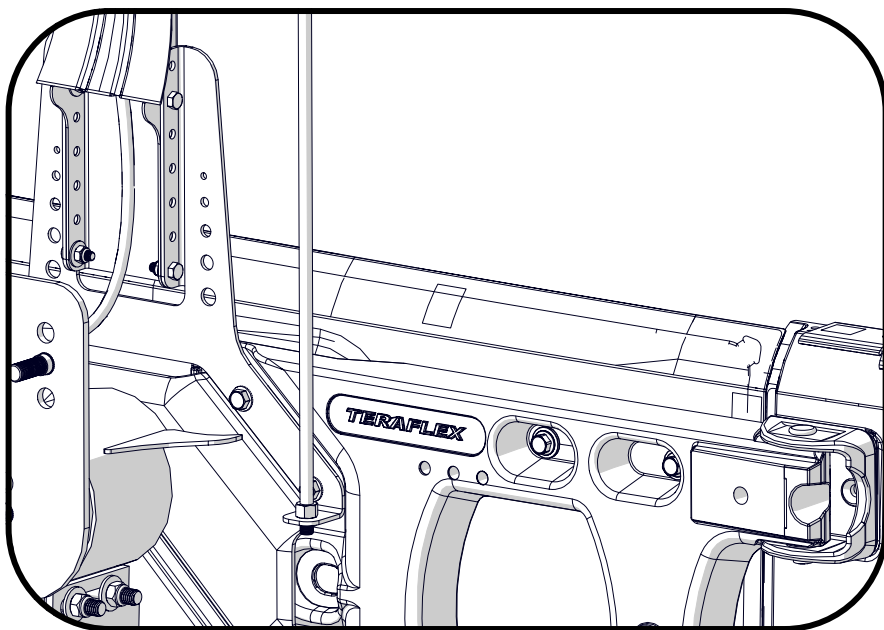


Figure 9

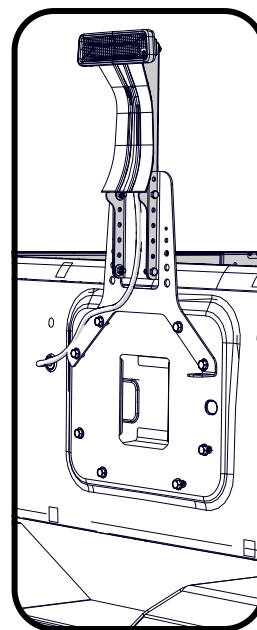
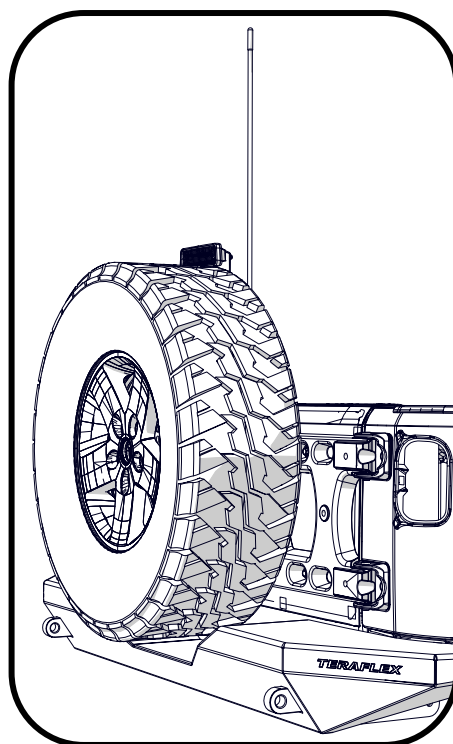


Figure 10



TERAFLEX **PRODUCT INFORMATION**

MAINTENANCE INFORMATION:

It is the buyer's responsibility to have all suspension, drivetrain, steering, and other components checked for proper tightness and torque after the first 100 miles and every 3000 miles after that.

NOTICE TO INSTALLER:

The enclosed "Warning to Driver" sticker must be installed in the vehicle in driver's view. This sticker is to act as a constant safety reminder when operating the vehicle. It is your responsibility as the equipment installer to install the provided sticker and to forward the product instructions to the vehicle's owner for review. If a "Warning to Driver" sticker or product installation guide were not included in the kit, FREE replacement stickers and instructions are available by request. It is the installer's duty to ensure a safe and controllable vehicle after the modifications have been performed.

WARNING:

Neither the seller nor the manufacturer will be liable for any loss, damage, or injury directly or indirectly arising from the use of or inability to determine the use of these products. Before using, the user shall determine the suitability of the products for its intended use, and the user shall assume all responsibility and risk in connection therewith.

WARNING TO DRIVER:

This vehicle has been modified to enhance off road performance and has unique handling characteristics. Use in harsh environments can cause extreme stress on the components. Vehicle should be inspected after being off road to make sure that all the components are in working order and safe to travel on the highway. All fasteners should be checked so that they are at the correct torque specifications as the vibration and stresses from off-roading may cause critical fasteners to work loose. Extra care should be taken to inspect the critical components, steering, and brake systems. During each oil change components such as arms, tie rod ends, etc. should be greased and checked for excessive wear. Any worn components should be replaced. When returning to the pavement always set or restore tire air pressure to the factory recommendation and connect or engage any disabled sway bar mechanisms. Because of the higher center of gravity and larger tires, this vehicle handles and reacts differently than many passenger cars, both on and off road. You must drive it safely! Extreme care should be taken to prevent vehicle rollover or loss of control, which can result in serious injury or death. Avoid sudden sharp turns or abrupt maneuvers. Generally, braking performance and capabilities are decreased when significantly larger/heavier tires are used, especially when used in combination with transfer case low-range reduction kits. Take this into consideration while driving. Do not add, alter or fabricate any factory or aftermarket parts to increase vehicle height over the intended height of the TeraFlex product purchased. Mixing component brand is not recommended. TeraFlex Inc. will not be responsible for any altered product or any improper installation or use of our products. We will be happy to answer any questions concerning the design, function, and correct use of our products. It is ultimately the buyer's responsibility to have all bolts/nuts checked for tightness after the first 100 miles and then every 3000 miles. Wheel alignment, steering system, suspension and drive line systems must be inspected by a qualified professional mechanic at least every 3000 miles.

TERAFLEX PRODUCT WARRANTY:

Tera Manufacturing warrants TeraFlex Suspension products to the original retail purchaser to be free of defects in material and workmanship for as long as the original purchaser owns the vehicle on which products were originally installed. Failure to complete regular maintenance (grease every 3000 miles) on TeraFlex FlexArms will void this warranty. All other conditions of the standard TeraFlex product warranty apply.

All TeraLow products are covered by TeraFlex's two (2) year warranty to be free of defects in material and workmanship for two years from date purchased.

Tera axles are covered by a 12-month warranty to be free of defects in materials and workmanship. This warranty does not cover or include product finish, improperly installed or applied products, improperly maintained products, products or components used for racing or competition or damage due to abuse or neglect, products that fail due to the use of larger tire and wheel combinations.

All returns must be accompanied by an original invoice. It is the customer's responsibility to remove the product from the vehicle. Shipping charges are the responsibility of the customer. Tera Manufacturing will pay the return freight if the product meets the terms of warranty.

This warranty is for the replacement or repair of defective TeraFlex products only and does not include freight charges, labor charges for removal of or installation of TeraFlex or related products or components, costs incurred due to down time of the vehicle, or lost profits due to vehicle down time.

A returned goods authorization number (RGA#) must accompany any returned products. For more information please contact a TeraFlex customer service representative.

COPYRIGHT

©Copyright 2008. All rights reserved, TeraFlex Inc. Reproduction of this catalog and/or any of its contents without written permission is strictly prohibited.

TeraFlex® is a registered trademark of TeraFlex Inc. All trade names and logos including but not limited to TeraFlex, FlexArms, RockGuard, Monster, and LCG are protected by law and duplication of trade names and/or logos are strictly prohibited.

TeraFlex Inc. reserves the right to update, discontinue, redesign, modify finish, part number or component build parts if deemed necessary without written notice. TeraFlex Inc., and any associated dealers are not responsible for misprints or typographical errors that may have inadvertently been made within this instruction sheet.

Jeep® and the Jeep® grill are registered trademarks of Chrysler LLC, and have no affiliation with TeraFlex Inc.

TeraFlex, Inc. 5680 W Dannon Way, West Jordan, Utah 84081
Phone/801.288.2585 Fax/801.713.2313 www.teraflex.com