



# FITTING INSTRUCTIONS

Part Number: 3414510 – 2005 to 2011 DELUXE WINCH BAR, WITH FLARES  
3214510 – 2005 to 2011 DELUXE BULL BAR, WITH FLARES

Suited to vehicle/s: HILUX 2005 to 2011 4 x 4 only - (SRS AIR BAG EQUIPPED MODELS)  
Not suitable for 2WD (4 x 2) models.

Fitting Kit: - 6173642 – F/KIT 06 HILUX  
- 6173644 – F/KIT 05 ARB BBAR

Optional Fitting Kit: - 3500530 – ARB AUX FOG LIGHT LOOM. (NON FACTORY FOG LAMP INSTALLATION).  
- 3500590 – ARB FFR FOG LIGHT KIT (FOR NON FACTORY FOG LAMP VEHICLES).  
- 3500680 – FOG LAMP HOUSING CLEAR LENSE KIT  
- 3540050 – WINCH INSTALL KIT.  
- 3500610 – ZEON WIRE ROPE F/KIT.  
- 3500620 – ZEON SYNTHETIC ROPE F/KIT.

## WARNING

### NOTE THE FOLLOWING: -

- ◆ This product must be installed exactly as per these instructions using only the hardware supplied.
- ◆ In the event of damage to any bull bar component, contact your nearest authorised ARB stockist. Repairs or modifications to the impact absorption system must not be attempted.
- ◆ Do not use this product for any vehicle make or model, other than those specified by ARB.
- ◆ Do not remove labels from this bull bar.
- ◆ This product or its fixing must not be modified in any way.
- ◆ The installation of this product may require the use of specialized tools and/or techniques
- ◆ It is recommended that this product is only installed by trained personnel
- ◆ These instructions are correct as at the publication date. ARB Corporation Ltd. cannot be held responsible for the impact of any changes subsequently made by the vehicle manufacturer
- ◆ During installation, it is the duty of the installer to check correct operation/clearances of all components
- ◆ Work safely at all times
- ◆ Unless otherwise instructed, tighten fasteners to specified torque

## **ARB 4x4 ACCESSORIES**

Corporate Head Office

42-44 Garden St  
Kilsyth, Victoria  
AUSTRALIA, 3137

Tel: +61 (3) 9761 6622  
Fax: +61 (3) 9761 6807

Australian enquiries  
North & South American enquiries  
Other international enquiries

sales@arb.com.au  
sales@arbusa.com  
exports@arb.com.au

[www.arb.com.au](http://www.arb.com.au)



# GENERAL CARE AND MAINTENANCE

By choosing an ARB Bar, you have bought a product that is one of the most sought after 4WD products in the world. Your bar is a properly engineered, reliable, quality accessory that represents excellent value. To keep your bar in original condition it is important to care and maintain it following these recommendations:

- Prior to exposure to the weather your bar should be treated to a Carnauba based polish on all exposed surfaces. It is recommended that this is performed on a six monthly basis or following exposure to salt, mud, sand or other contaminants.
- As part of any Pre Trip Preparation, or on an annual basis, it is recommended that a thorough visual inspection of the bar is carried out, making sure that all bolts and other components are torqued to the correct specification. Also check that all wiring sheaths, connectors, and fittings are free of damage. Replace any components as necessary. This service can be performed by your local authorized ARB Stockist.

## FITTING REQUIREMENTS

**HAVE AVAILABLE THESE SAFETY ITEMS WHEN FITTING PRODUCT: -**

|                    |   |                    |   |
|--------------------|---|--------------------|---|
| Protective eyewear |  | Hearing protection |  |
|--------------------|---|--------------------|---|

**NOTE: 'WARNING' notes in the fitting procedure relate to OHS situations, where to avoid a potentially hazardous situation it is suggested that protective safety gear be worn or a safe work procedure be employed. If these notes and warnings are not heeded, injury may result.**

**REQUIRED TOOLS FOR FITMENT OF PRODUCT:**

|  |  |
|--|--|
| METRIC SOCKET SET  | METRIC RING AND OPEN ENDED SPANNER SET                           |
| ELECTRIC DRILL 13 MM CAPACITY                                      | 5 & 10 mm DRILL BITS   |
| BASIC TOOL KIT   | PHILLIPS AND FLAT BLADE SCREW DRIVER SETS                        |
| TORQUE WRENCH (or WRENCHES<br>Capable of covering from 3NM – 77NM) | ROLLS OF 25 mm & 50 mm WIDE MASKING TAPE                         |
| FELT TIP MARKER PEN  | FINE FILE OR SAND PAPER  |
| METRIC TAPE MEASURE or RULE  | SCISSORS or SHARP KNIFE  |
| TOUCH UP PAINT – BLACK FAST DRYING ENAMEL                          | STEPPED RING SPANNER TO SUIT 3/8" BOLT. (If installing a winch). |

**FASTENER TORQUE SETTINGS: -**

| SIZE       | Torque Nm   | Torque lb/ft  |
|------------|-------------|---------------|
| <b>M6</b>  | <b>9Nm</b>  | <b>7lbft</b>  |
| <b>M8</b>  | <b>22Nm</b> | <b>16lbft</b> |
| <b>M10</b> | <b>44Nm</b> | <b>32lbft</b> |
| <b>M12</b> | <b>77Nm</b> | <b>57lbft</b> |

| USE  | PART NO. | QTY | DESCRIPTION                       |
|--|----------|-----|-----------------------------------|
| <b>CONTROL BOX FITMENT<br/>(WINCH ONLY)</b>                              | 3756499  | 1   | CONTROL BOX BRACKET               |
|  | 6151234  | 2   | BOLT, M8 x 1.25 x 25 LONG (BLACK) |
|  | 4581045  | 2   | WASHER FLAT M8 (BLACK)            |
|  | 6151132  | 2   | NUT FLANGE M8                     |
|  | EG50     | 2   | GROMMET RUBBER                    |
|  | 180302   | 8   | CABLE TIES                        |
| <b>WINCH<br/>(8000/9000/9500 LB)</b>                                     | 4581040  | 4   | WASHER FLAT 3/8"                  |
|  | 6151074  | 2   | BOLT UNC 3/8" x 1 3/4"            |
|  | BLB850   | 3   | CABLE BLACK 850mm                 |
| <b>IMPACT ABSORBER TO BULL BAR</b>                                       | 6151304  | 4   | NUT CAGE M10                      |
|  | 4581040  | 8   | WASHER FLAT M10                   |
|  | 4581288  | 4   | WASHER FLAT M10 (OVER-SIZED)      |
|  | 4581048  | 8   | WASHER, SPRING, M10               |
|  | 6151232  | 8   | BOLT, M10 x 1.5 x 30 LONG         |
|  | 6151026  | 4   | NUT, HEX, M10 x 1.5               |
| <b>BUFFERS</b>   | 3162470R | 1   | BUFFER (RH)                       |
|  | 3162470L | 1   | BUFFER (LH)                       |
|  | 6151128  | 12  | NUT FLANGE M6                     |
| <b>No. PLATE</b>   | 6151213  | 2   | BOLT M6 x 20                      |
|  | 4581287  | 2   | WASHER SPRING M6                  |
|  | 6151046  | 2   | WASHER FLAT M6                    |
|  | 6151300  | 2   | CAGE NUT M6                       |
| <b>INDICATORS TO BULL BAR</b>  | 6821287  | 1   | LED INDICATOR/CLEARANCE KIT, PAIR |
|  | 6821286  | 2   | LOOM LED INDICATOR CLEARANCE      |
|  | 6821116  | 4   | NYLON PLUG                        |
|  | 180302   | 4   | CABLE TIES                        |
| <b>WING TRIM FITMENT</b>   | 3163001R | 1   | TRIM, WING (LH), HILUX 05         |
|  | 3163001L | 1   | TRIM, WING (RH), HILUX 05         |
|  | 4581082  | 10  | WASHER, FLAT, M6 (BLACK, 20 OD)   |
|  | 6151162  | 10  | NUT, NYLOC, M6x1                  |
| <b>IMPACT ABSORBER TO CHASSIS</b>  | 3758412R | 1   | BRKT ASSY IMPACT HILUX UPDATE     |
|  | 3758412L | 1   | BRKT ASSY IMPACT HILUX UPDATE     |
|  | 4581040  | 4   | WASHER, FLAT, M10                 |
|  | 4581048  | 4   | WASHER, SPRING, M10               |
|  | 6151133  | 4   | NUT, M10 x 1.25                   |
| <b>CHASSIS STIFFENING PLATE<br/>TO CHASSIS &amp; IMPACT<br/>ABSORBER</b> | 3199756R | 1   | PLATE (RH), CHASSIS, HILUX 05     |
|  | 3199756L | 1   | PLATE (LH), CHASSIS, HILUX 05     |
|  | 6151234  | 2   | BOLT, M8 x 1.25 x 25 LONG (BLACK) |
|  | 6151088  | 6   | BOLT, M10 x 1.25 x 35 LONG        |
|  | 4581040  | 12  | WASHER, FLAT, M10                 |
|  | 4581045  | 2   | WASHER, FLAT, M8 (BLACK)          |
|  | 4581048  | 6   | WASHER, SPRING, M10               |
|  | 4581047  | 2   | WASHER, SPRING, M8 (BLACK)        |
|  | 6151133  | 6   | NUT, M10 x 1.25                   |
| <b>LOWER GRILL BRKT</b>  | 3757525  | 1   | BRKT GRILL MNT HILUX 05           |
|  | 6151234  | 2   | BOLT, M8 x 1.25 x 25 LONG (BLACK) |
|  | 4581045  | 2   | WASHER, FLAT, M8 (BLACK)          |
|  | 4581047  | 2   | WASHER, SPRING, M8 (BLACK)        |
|  | 6151132  | 2   | NUT FLANGE M8                     |
| <b>FOG LAMP HOUSINGS TO BULL<br/>BAR</b>                                 | 3163082  | 1   | KIT SURROUND ARB FOGLIGHT         |
|  | 6821183  | 2   | FOG LAMP LOOM EXTENSION 55W       |

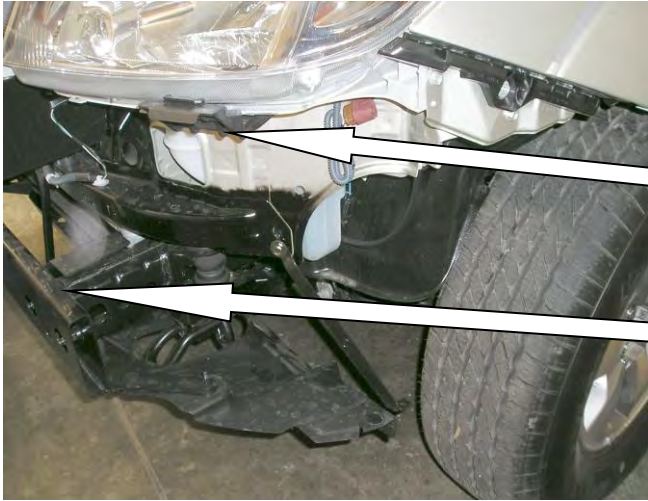
**ITEMS SHOWN IN SHADED AREA ARE FOR WINCH FITMENT.**

| USE                            | PART NO. | QTY       | DESCRIPTION                       |
|--------------------------------|----------|-----------|-----------------------------------|
| <b>CENTRE STONE DEFLECTORS</b> | 6522650  | <b>1</b>  | PANEL STONE GUARD LOWER HILUX 05  |
|                                | 6522926  | <b>1</b>  | PANEL STONE HILUX UPDATE          |
|                                | 6151315  | <b>2</b>  | CAGE NUT, M6 (1.6mm PLATE)        |
|                                | 6151303  | <b>6</b>  | CAGE NUT, M8 (3mm PLATE)          |
|                                | 4581082  | <b>2</b>  | WASHER, FLAT, M6 (BLACK, 20 OD)   |
|                                | 4581287  | <b>2</b>  | WASHER, SPRING, M6 (BLACK)        |
|                                | 6151213  | <b>2</b>  | BOLT, M6 x 1.0 x 20 (BLACK)       |
|                                | 4581045  | <b>6</b>  | WASHER, FLAT, M8 (BLACK)          |
|                                | 4581047  | <b>6</b>  | WASHER, SPRING, M8 (BLACK)        |
|                                | 6151234  | <b>6</b>  | BOLT, M8 x 1.25 x 25 LONG (BLACK) |
| <b>WING STONE DEFLECTORS</b>   | 6522653R | <b>1</b>  | PANEL WING HILUX 05 FLARED (RH)   |
|                                | 6522653L | <b>1</b>  | PANEL WING HILUX 05 FLARED (LH)   |
|                                | 6151315  | <b>10</b> | CAGE NUT, M6 (1.6mm PLATE)        |
|                                | 4581082  | <b>10</b> | WASHER, FLAT, M6 (BLACK, 20 OD)   |
|                                | 4581287  | <b>10</b> | WASHER, SPRING, M6 (BLACK)        |
|                                | 6151213  | <b>10</b> | BOLT, M6 x 1.0 x 20 (BLACK)       |
|                                | 6151094  | <b>2</b>  | BOLT M12 x 1.25 x 30 LONG         |
|                                | 4581049  | <b>2</b>  | WASHER, FLAT M12                  |
|                                | 4581050  | <b>2</b>  | WASHER, SPRING M12                |
|                                | 180302   | <b>2</b>  | CABLE TIES                        |

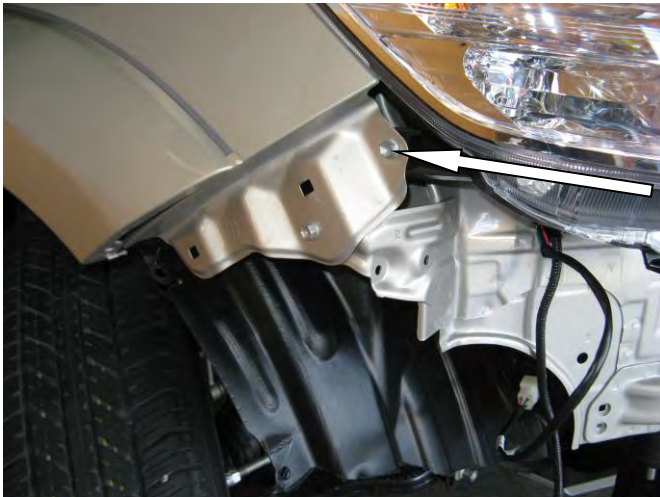
**NOTE:**

- ◆ FITS ARB INTENSITY DRIVING LIGHTS.
- ◆ FITS IPF DRIVING OR FOG LIGHTS UP TO 900 SERIES ROUND OR 800 RECTANGULAR.
- ◆ SUITS WINCHES WARN ZEON AND LOW MOUNT UP TO 10K, BUSHRANGER AND SMITTYBUILT.

## PREPARATION TO VEHICLE



1. Remove existing bumper and grill from the vehicle.  
Once these are removed:
  - Remove the light bracket fitting and discard; this is done by first removing the light and then unscrewing the bracket from the rear of the light fitting.
  - Remove the bumper braces and discard.
  - Remove the chassis cross-brace and discard.
  - **If Factory Fog Lamps are fitted to the vehicle and are to be re-used, remove carefully from bumper and set aside.**



2. Remove the plastic bumper retention blocks from either side of the vehicle.
  - **Retain front headlight retaining bolt to be re-installed - Step 15.**



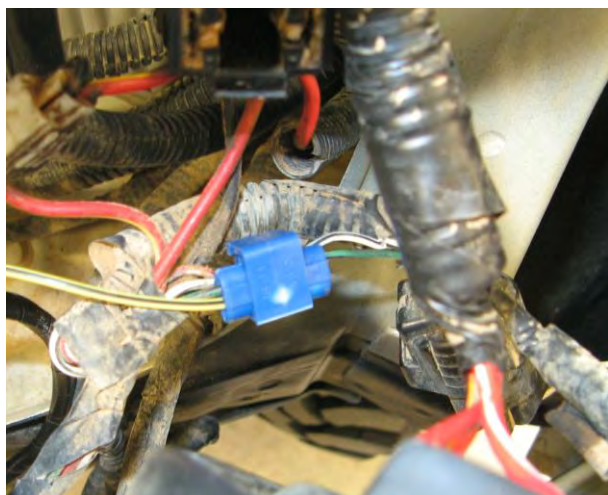
3. Spray paint the metal underside of the fender and the underside of the headlamp black.

***Ensure the area to be painted is well masked to ensure no over spray on other components.***

4. Once paint has fully dried, remove masking.



## PREPARATION TO VEHICLE



5. To allow access to the vehicle's park lamp wiring remove both headlights and temporarily store in a safe location.
6. Starting with the passenger side, use scotch locks to connect the red wire from the LED loom (6821286) to the green wire from the vehicles front park lamp.
7. Connect the green wire from the LED loom to the Green / Black wire from the vehicles left indicator.
8. Connect the black wire from the LED loom to the White / Black wire from the vehicles front park lamp.



9. On the driver's side, use scotch locks to connect the red wire from the LED loom (6821286) to the green wire from the vehicles front park lamp.
10. Connect the green wire from the LED loom to the Green / Yellow wire from the vehicles left indicator.
11. Connect the black wire from the LED loom to the White / Black wire from the vehicles front park lamp.
12. Let the LED looms (6821286) hang freely for connecting to the bull bar LEDs (6821284) at Step 52.



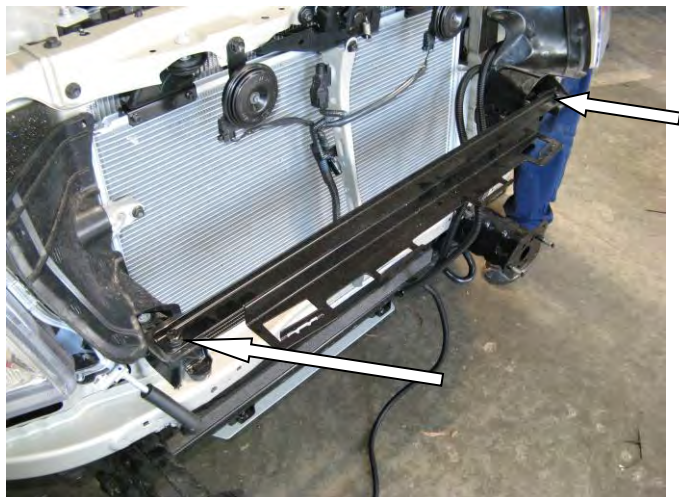
13. Remove the protruding bracket in front of the radiator as it is no longer required, (Note: the vertical member of this bracket must not be removed as it holds the bonnet latch in position). This may be done by either drilling out the existing spot-welds with a 5mm drill as shown, or by cutting it off with a grinder. Re - locate the air temp sender (if fitted) to one of the holes in the vertical bracket.



Warning: Cutting operations can result in flying metal debris. Safety glasses should be worn.

14. **Paint exposed metal to prevent rusting.**
  - **Ensure the area to be painted is well masked to ensure no over spray on other components.**

## PREPARATION TO VEHICLE



15. Replace the vehicle's headlights.  
- Include front headlight retaining bolts retained in Step 2.

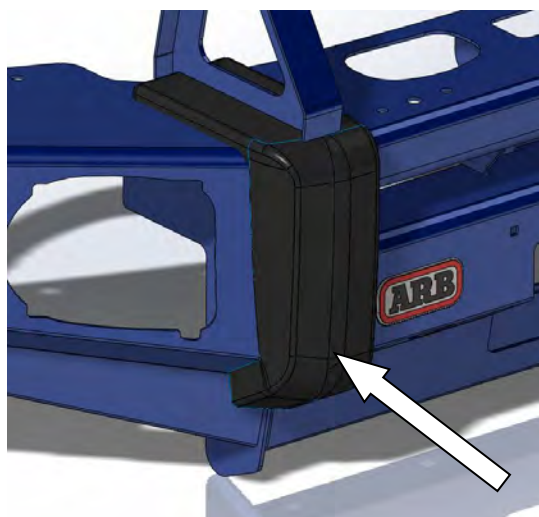
16. Fasten the lower grill bracket to the vehicle head lights, as shown, using M8 x 25 black bolts, flat washers, spring washers and flange nuts.

Torque to specification.



17. Reassemble the vehicle's grill removed at Step 1; make sure the 2 x lower grill tabs are pushed into the clips in the lower grill bracket. Bend lower grill bracket tab upwards slightly.

## PREPARATION TO BULLBAR

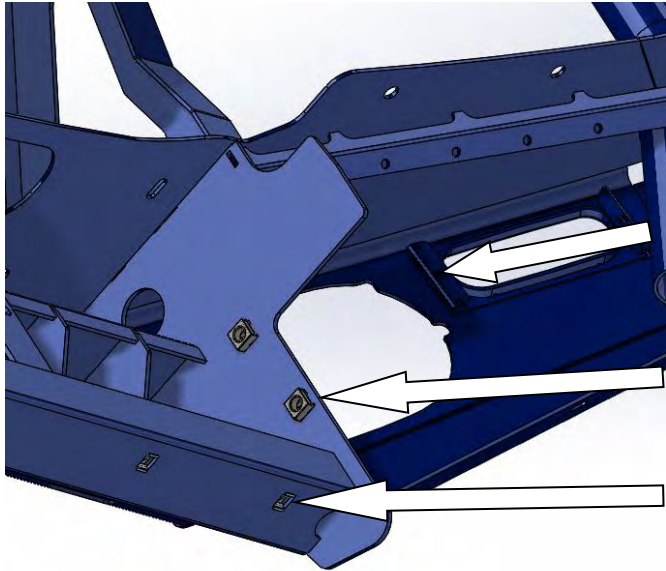


18. Fit the buffers to the bull-bar using the 6mm flange nuts provided.

**(DO NOT OVER TIGHTEN)**



## PREPARATION TO BULLBAR

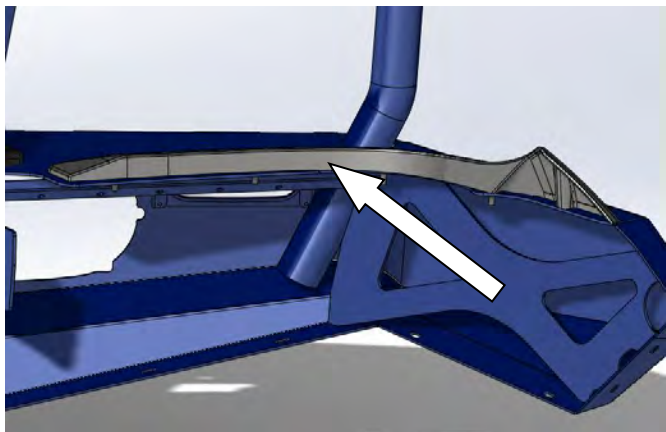


19. Fit cage nuts and nylon plugs to the bull-bar. (RHS Shown)

Nylon plugs (6821116). (4 off) Into Clearance Light/Turn Signal Brackets.

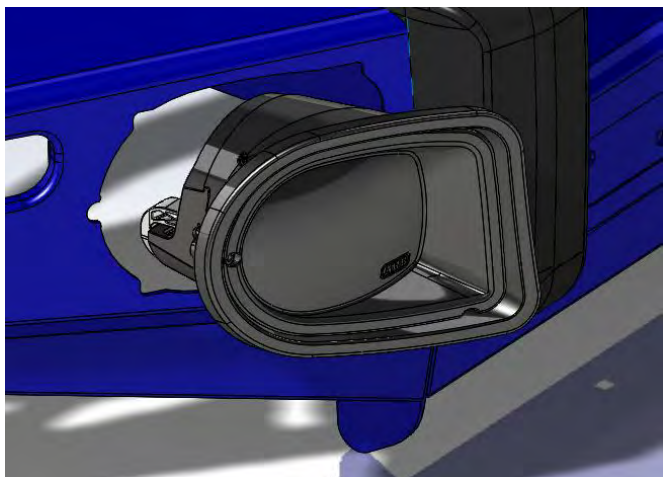
M10 cage nuts. (4 off) Caged portion is to centre of bull bar.

M8 cages nuts. (4 off) Caged portion is to top of bull bar.



20. Loosely fit the wing trims using 5 x oversized M6 washers, 4 x M6 nyloc nuts and 1 x self-tapping screw on each side of the bar

***These nuts will be tightened after the bar has been fitted to the vehicle and the wing trims have been positioned in an optimal position. (Step 50).***

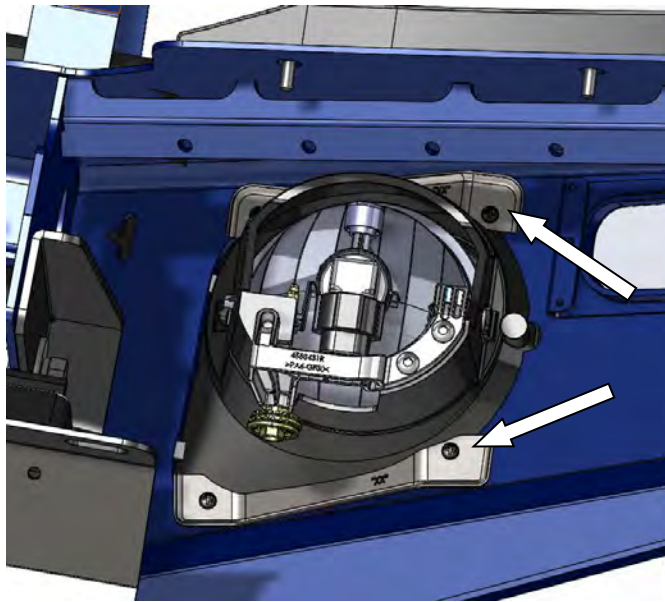


21. Fit fog lamp housings (3163082) into the bull-bar fog lamp cutouts as shown. (RH Shown).

**If fitting fog lights refer to fitting instructions (3789190) in the fog lamp housing kit (3163082) for details before mounting the housings in the bull-bar.**



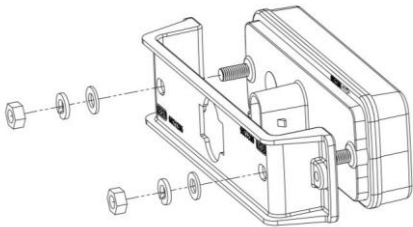
## PREPARATION TO BULLBAR



22. Secure into position as indicated using the 2 x fog lamp clamps and 4 x self-tapping screws. **Note: Clamps and Screws are supplied in 3163082 – Kit Surround ARB Fog Housing.**

(RH Clamps Part No. 3759115R).  
(LH Clamps Part No. 3759115L).

**Note: 19w Factory Fog Lamp fitted in this view.**

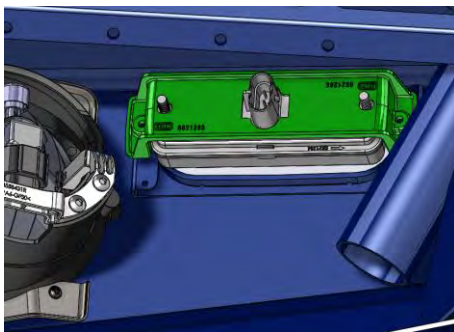


23. Install 6821285 bracket onto LED lamp with 2 x flat washer, 2 x spring washer and 2 x M6 nuts as shown.

Torque to specification.

 **M6 - 3 Nm.**

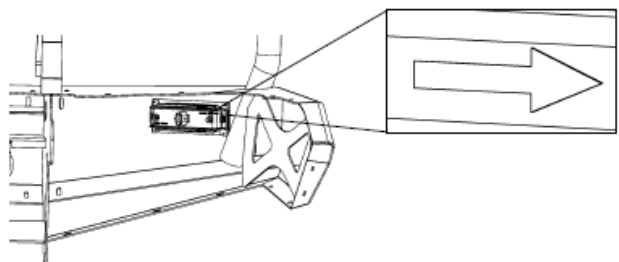
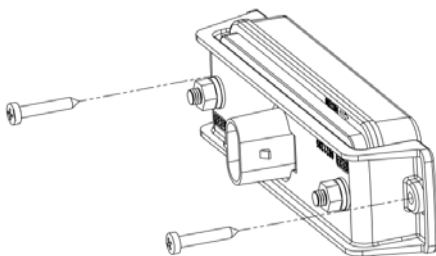
**NOTE: Do not over-tighten.**



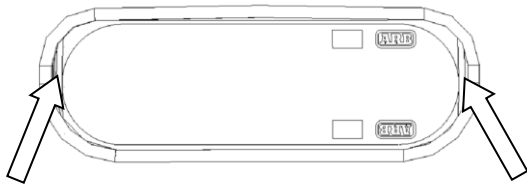
24. Install LED lamp with bracket into bull-bar using 2 x 15mm mounting screws provided. (RH Shown).

**Note: Do not fully tighten.**

**IMPORTANT:** The clearance LEDs must be on the outboard edge of the bull-bar. To achieve this, position lamp with arrows facing outside of vehicle as shown below.



## PREPARATION TO BULLBAR



**ADJUST GAPS TO BE THE SAME**

25. Viewing the installed LED Lamps from the front of the bull bar – adjust the Lamp positions so that they are central in the formed apertures and any gap on either side is the same.

- Once adjusted fully tighten the 15mm mounting screws.

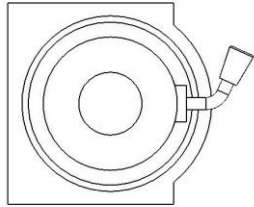
## WINCH FITMENT ONLY

### TO FIT A WINCH BAR

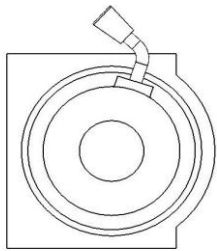
(If not fitting a winch proceed to Step 45)

26. To fit a Warn Zeon/8/9/9500lb winch, rotate gearbox 72° counterclockwise.
27. Stand the winch upright and undo the capped head screws. Lift the gearbox up - only a couple of millimeters, to allow the gearbox to be rotated to the new position. Once in position, refit all screws and tighten firmly.

***WARNING: Do not lift gearbox more than a couple of millimeters.***

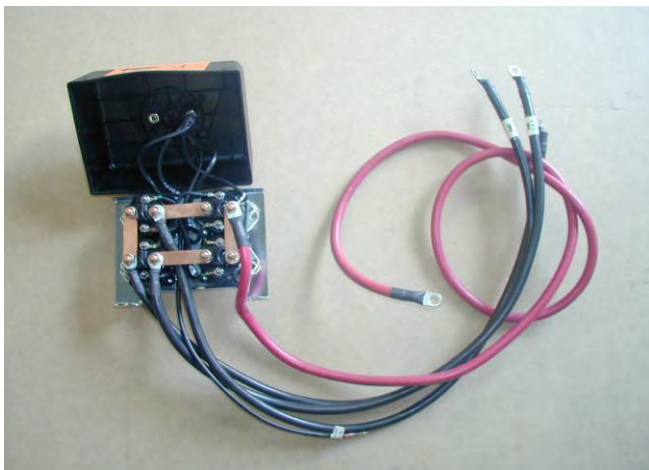


ORIGINAL



VIEWED FROM  
LHS OF VEHICLE

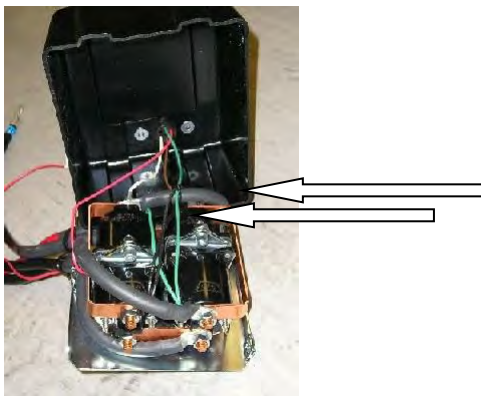
ROTATED



28. Remove the cover from the control box.

29. Replace the three main power cables that go from winch to control box. Make sure that you identify the colour codes on the new cables before closing control box cover.

30. This must be done for whatever winch is to be fitted to the bull bar.



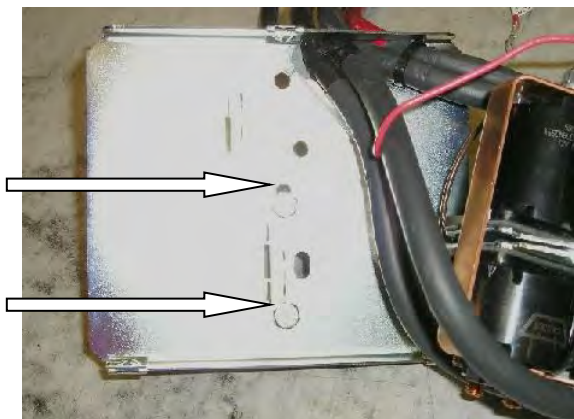
31. If fitting the XP 9.5 winch, remove the cover from the control box, otherwise proceed to Step 37.

32. Remove the two cap screws, nuts and spacer washers that hold the four solenoids in place.

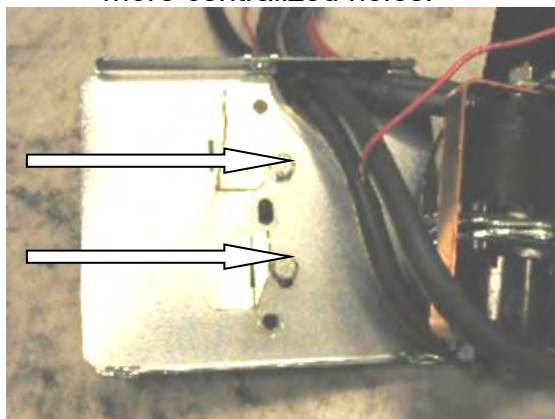
## WINCH FITMENT ONLY



33. Remove the four solenoids from the base of the control box using the copper bus bar as an aid and hold to one side.



Before



After



35. Place the 4 solenoids over the 2 metal stands that are facing upwards. Make sure they line up with the holes in the base.

36. Replace the 2 x cap screws, washers and nuts removed in Step 32 into original holes.

Replace the black cover and refit the three cover screws. (DO NOT OVER TIGHTEN)



## WINCH FITMENT ONLY



37. Bolt the control box bracket to the control box.

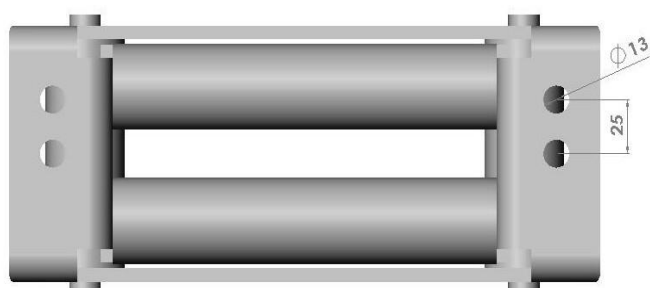
38. Fit the two grommets into the round holes in the top of the bull bar then thread the cables through.

39. Mount the control box bracket onto the top pan, using M8 bolts, flat washers and flanged nuts. Use the cable ties to ensure the winch cables are secure, clear of moving parts and sharp edges and tie them together.



40. Place winch on a stand with mounting holes facing upwards and lower the bull bar onto the winch. Align all four holes, using the original 3/8" bolts that came with the winch in the top two holes and the longer 1 3/4" x 3/8" bolts, supplied in the kit, in the lower two holes plus 3/8" spring and flat washers with each bolt.

41. When all bolts are fitted and finger tight, tighten top holes only, using a stepped ring spanner and remove lower bolts.



42. Drill two new 13mm holes in the roller fairlead provided in the kit, as shown on the adjacent picture.

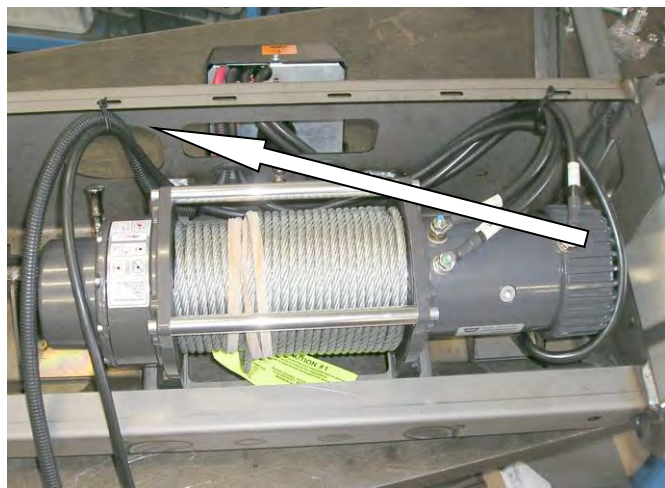


## WINCH FITMENT ONLY



43. Fit roller fairlead into cutout and refit bolts and tighten firmly.

NOTE. For ease of tightening the lower bolts, use a stepped ring spanner.



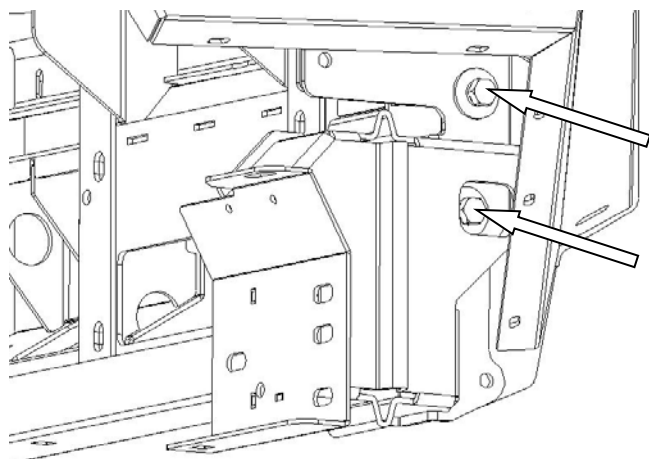
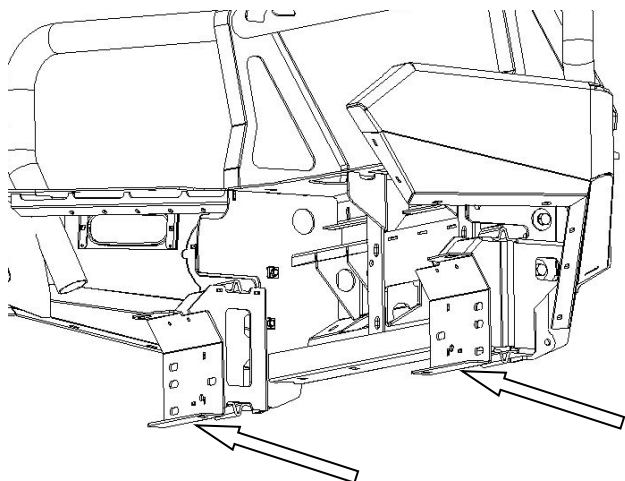
44. Connect the winch control box cables to the winch. Refer to Warn installation instruction manual when wiring up winch.

\*Refer to photo to see where to cable tie to bull bar\*.

\*Ensure that all cables are installed well clear of all sharp or moving parts, by using cables ties from bolt kit.

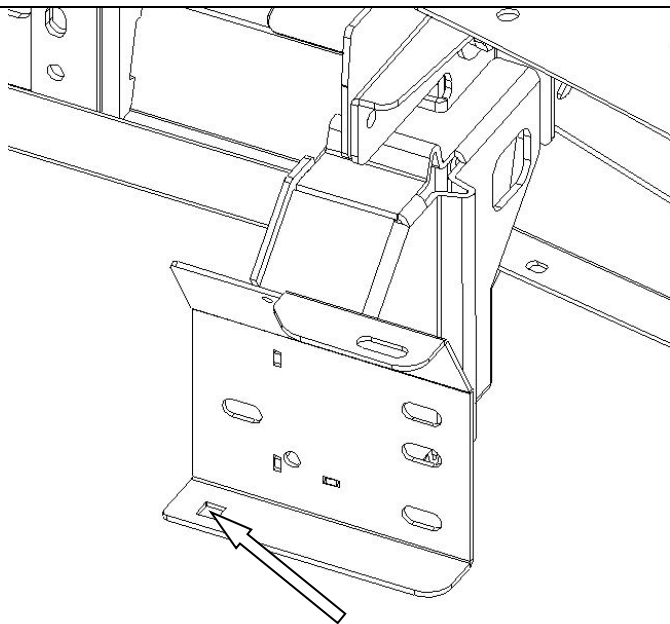
\*Cable tie main cables that go to battery in between underside of bar and brace.

## BULLBAR FITMENT TO VEHICLE



45. Fit the impact absorbers to the bull-bar (as shown) using the 4 x M10 x 30 bolts, M10 over-sized washers and M10 spring washers. Do not fully tighten these bolts at this time as they will be tightened on the vehicle - Step 48.

(RH Shown – Generic image).



46. Fit M8 Cage Nuts (2 off) to the LH & RH Impact Absorbers. Caged portion is on the upper side of the mount plate.

(RH Shown).

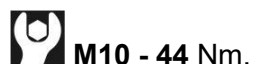
## BULLBAR FITMENT TO VEHICLE



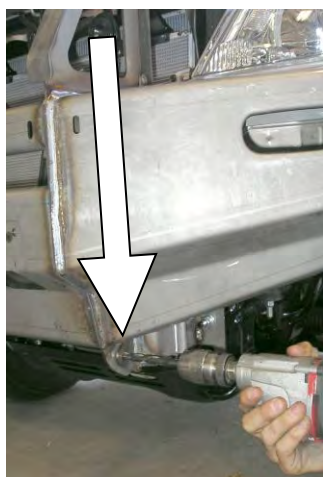
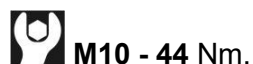
47. Position the bar on the vehicle and fasten it to the chassis studs using the M10 washers, spring washers and nuts provided. Once satisfied that the bar is centrally positioned on the vehicle fully tighten the M10 nuts.

**Note: There is 2 x Chassis Studs on RH and 2 x Chassis Studs on LH mounts - Only one stud visible in image.**

Torque to specification.



48. Adjust the bull-bar position up/down and in/out to achieve uniform gaps between the bar and the fenders on each side of the vehicle. The nominal clearance between the bull-bar and the fenders is 20mm. Once satisfied with fitting clearance torque to specification the M10 x 30 bolts fitted in Step 45.

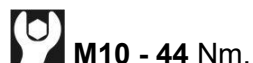


49. Once satisfied with the position of the bull-bar, using a 10mm drill bit, drill through the 10mm holes in the impact absorber, 2 holes per side, and secure using the M10 x 30 bolts, two flat washers per bolt, spring washers and hex nuts.



**Warning:** Cutting operations can result in flying metal debris. Safety glasses should be worn.

Torque to specification.



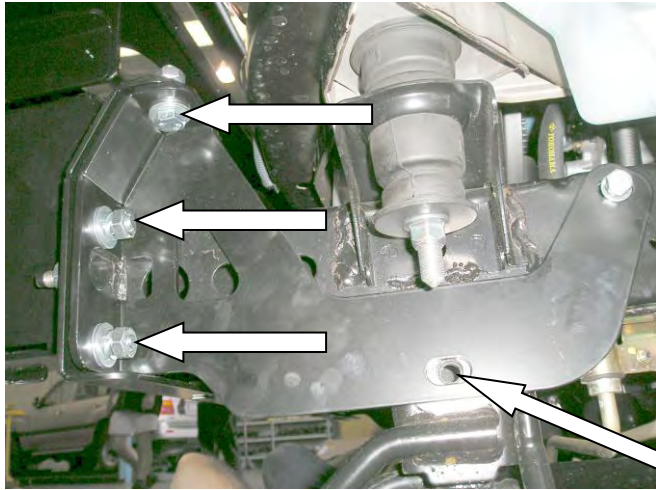
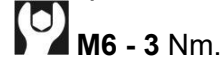


## BULLBAR FITMENT TO VEHICLE



50. On both sides of the vehicle position the wing trims to fit uniformly around the vehicles headlamps (attached to the bull-bar at Step 20) and tighten the M6 nuts and self-tapping screws.

Torque to specification.

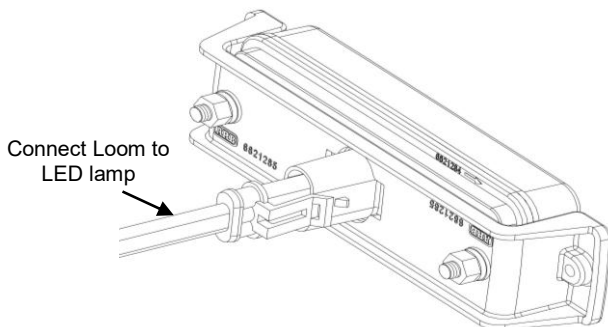


51. Fasten the chassis-stiffening bracket to the chassis and the impact absorber as shown. Fasteners required: M10 x 35 bolts – 6 off, M10 flat washers – 12 off, M10 spring washers – 6 off, M10 hex nuts – 6 off, M8 x 25 bolts – 2 off, M8 flat washers – 2 off and M8 spring washers -2 off.

Torque to specification.



Leave this bolt hole clear for Step 57.



52. Connect LED Indicator/Clearance Light looms/plugs.

- Connect RH & LH plugs (6821286) to LED lamp as shown. (RH shown).

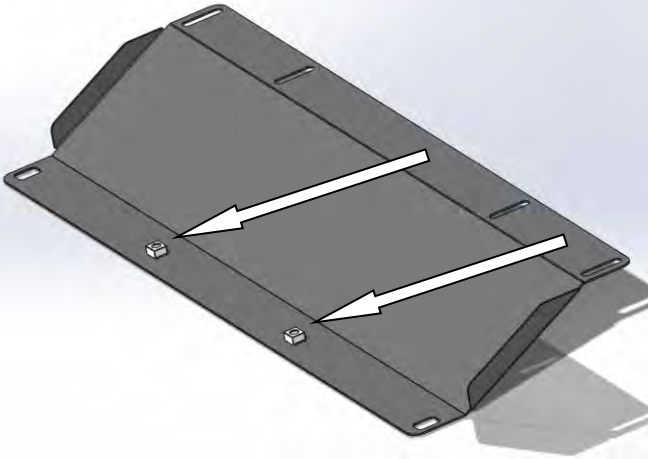
Fog Lamp Installation:

- **For Vehicles with Factory Fog Lamps - 55W:** Connect RH & LH Fog Lamp wiring using Loom Ext. Fog Light (6821183) between OE Fog Lamp plugs and 55W Factory Fog Lamps.
- **For ARB Fog Lamps - 3500590:** Connect RH & LH Fog Lamp wiring using Fog Light Wiring Loom kit – 3500530.

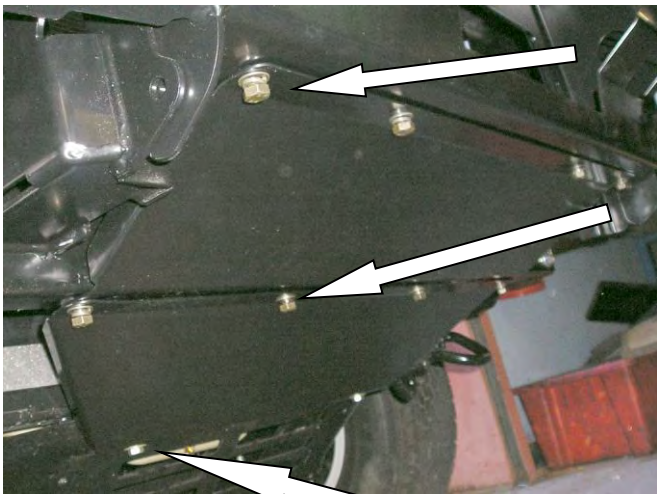
Cable tie **all** wiring and wiring looms into safe and convenient locations. **Ensure that all cables are installed well clear of all sharp or moving parts, by using cables ties from bolt kit.**



## BULLBAR FITMENT TO VEHICLE



53. Fit M6 Caged Nuts to Centre Stone Guard as shown. Caged portion is on the upper side of the stone guard.



54. Fit the centre stone guards as shown using M8 x 25 black bolts, black M8 flat washers and black M8 spring washers.

Use 2 x M6 x 20 black bolts, black M6 flat washers and black M6 spring washers.

Torque to specification.

 M6 - 9 Nm.

 M8 - 22 Nm.

**Use the original bolts in the lower two holes.**



55. Fit the M6 cage nuts to the wing stone guards as shown. Caged portion on the top side of the wing stone guards.

56. Make sure the plastic wheel liner on the LH side of the vehicle has been disconnected from the washer bottle before fitting the wing stone guards.

## BULLBAR FITMENT TO VEHICLE



57. Fit the wing stone guards to the bull bar / vehicle using M6 x 20 black bolts, M6 black washers, M6 black spring washers, M12 x 30 bolts, M12 washers and M12 spring washers.




58. Mark lines along the inner guards using the bottom edge of the wing stone guards as a guide.

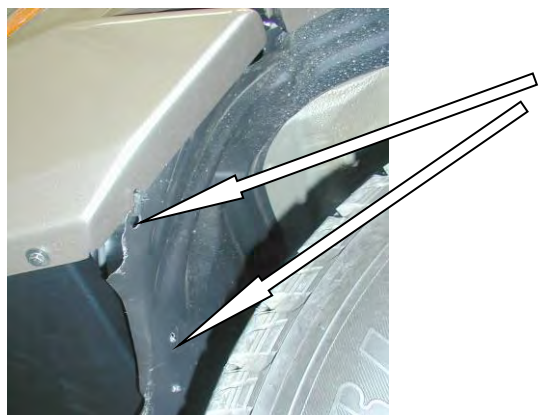
59. Remove the wing stone guards and cut along the lines marked in the previous step.

60. Refit the wing stone guards, tucking the inner guards inside the rear edge whilst fitting. Re-install all bolts from Steps 57 and torque to specification.

 M6 - 9 Nm.

 M8 - 22 Nm.

 M12 - 77 Nm



61. Cable tie the plastic wheel liner on the LH side of the vehicle to the two holes provided in the wing and the wing stone guard, as shown in the adjacent photo.

**For Vehicles Manufactured May 2006 and Onwards :-** The above two steps will need to be repeated on the Right Hand Side of the vehicle .

## BULLBAR FITMENT TO VEHICLE



62. To install the number plate. Fit the plastic plugs into the square holes in the lower or upper pan depending on fitment. Fit the number plate to the bull bar using the black self-tapping screws.

***The two photos display the number plate positions for both winch and non-winch bars.***



63. If fitting optional driving lights to vehicle do so at this stage. Guide ratchet spanner between the upper and lower pans as shown. Tighten the lights to the manufacturer's specs.

## HIGH-LIFT JACKING POINTS



***Provision for a high-lift jack is on both sides of bar.***



## ONCE BAR IS FITTED:

- ◆ Ensure all bolts are tensioned correctly
- ◆ All wiring is clear of sharp edges or moving surfaces and secured properly
- ◆ Piping is secured well away from sharp or moving components
- ◆ Check operation of winch if fitted
- ◆ Check all wiring and connections to turn signal lamps, sensors, headlamp washers etc. are functioning correctly

### FINAL PRODUCT FITTED TO VEHICLE

