

# FITTING INSTRUCTIONS

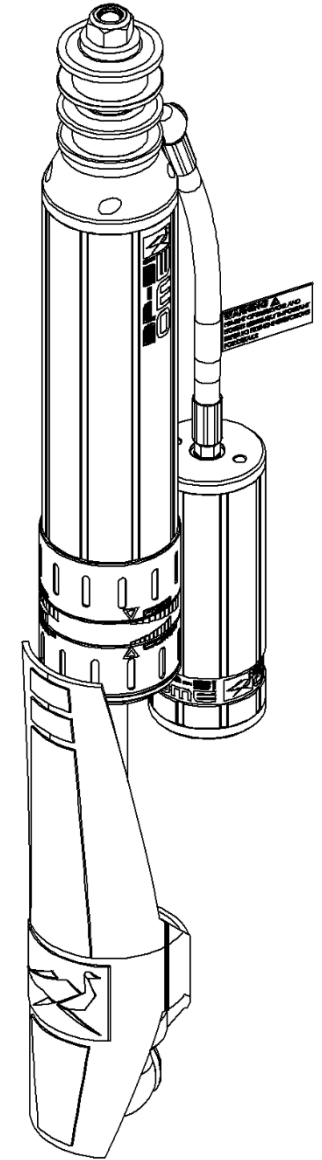
## BP5160026 & BP5160053

### TOYOTA LANDCRUISER 200 SERIES REAR (KDSS MODELS)

### WARNING

- ◆ This product must be installed exactly as per these instructions using only the hardware supplied.
- ◆ In the event of damage to any suspension component, contact your nearest authorised ARB stockist. Repairs or modifications to the suspension system components must not be attempted.
- ◆ Do not use this product for any vehicle make or model, other than those specified by ARB.
- ◆ Do not remove labels from suspension components.
- ◆ This product or its fixing must not be modified in any way.
- ◆ The installation of this product may require the use of specialized tools and/or techniques
- ◆ It is recommended that this product is only installed by trained personnel
- ◆ These instructions are correct as at the publication date. ARB Corporation Ltd. cannot be held responsible for the impact of any changes subsequently made by the vehicle manufacturer
- ◆ During installation, it is the duty of the installer to check correct operation/clearances of all components
- ◆ Work safely at all times

**Note:** These fitting instructions should be read in conjunction with the vehicle workshop manual.



**FITTING KIT CONTENTS – VM80010005**

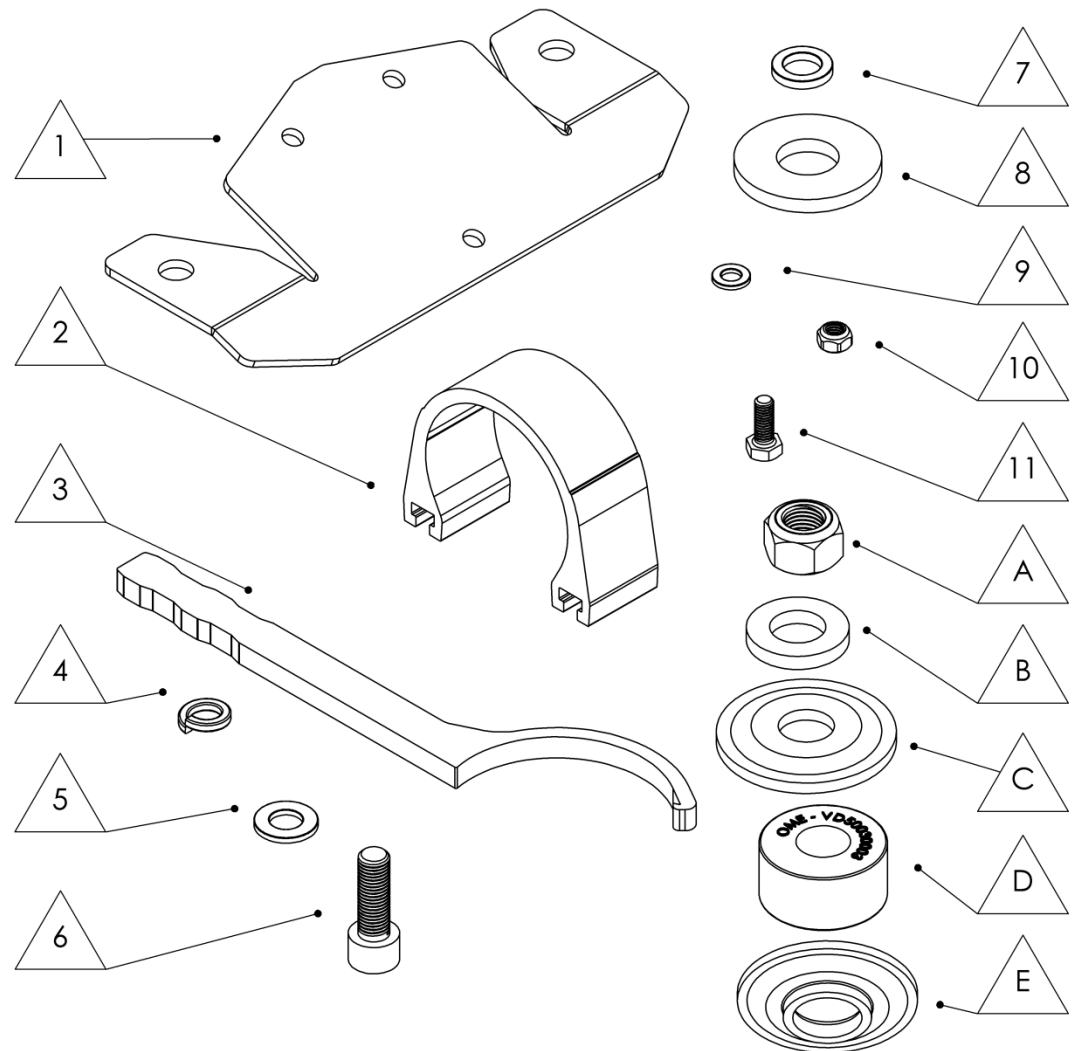
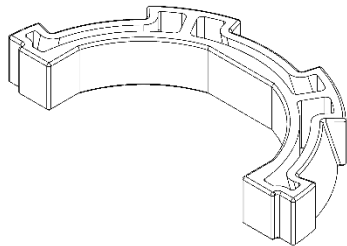
Item	Description	Qty.	Spare Part No.
1	RESI MOUNT LC200 REAR (KDSS)	2	VE10020018SP
2	RESERVOIR SADDLE	2	VE10010003SP
3	ADJUSTER TOOL	1	VC10010071SP
4	WASHER SPRING M10 BLACK	4	45812928SP
5	WASHER M10 BLACK	4	VE70020003SP
6	SHCS M10x1.25x30mm	4	VD60020003SP
7	WASHER ID12 OD19 T3	2	VE70020001SP
8	WASHER ID19 OD46 T5	2	VE70020010SP
9	WASHER M6 BLACK	4	VE70020005SP
10	NUT M6 NYLOC	4	VD60010003SP
11	BOLT M6x1.0X16	4	VD60030003SP

**SUPPLIED WITH BP-51 DAMPER**

**PIN MOUNT BUSH KIT (Spare Part No. VM50010006SP)**

Item	Description	Qty.	Part No.
A	NUT M14 x 1.5 NYLOC	1	VD60010007
B	WASHER ID17 OD32 T5	1	VE70020013
C	WASHER RETAINING 175604	2	VF60020004
D	BUSH NR 174020	2	VD50030003
E	WASHER LOCATING 215603	2	VF60020002

**SHAFT GUARD RETAINERS (Spare Part No. VD31000003SP)**



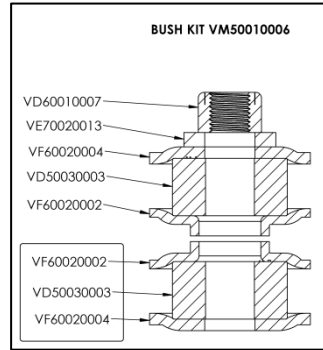
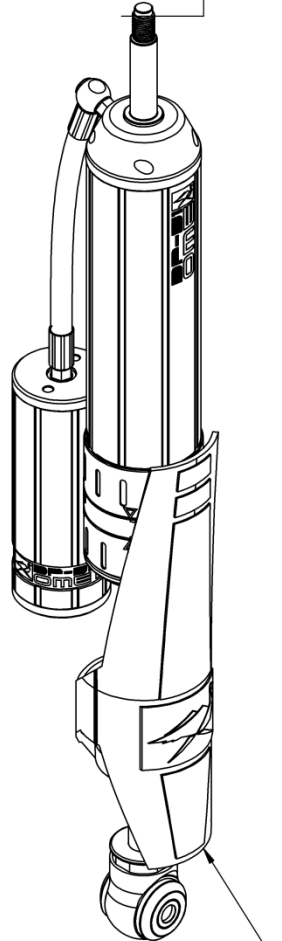
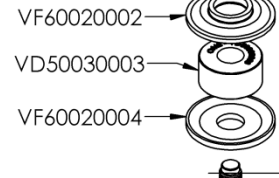
## DAMPER PREPARATION

The new BP-51 needs to be prepared with mounting components before it is fitted to the vehicle.

Left and Right are the same.

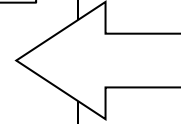
Refer to the next step for mounting the damper to the vehicle.

NEW supplied on Damper



## Top Mount

Fit the retaining washer VF60020004, Bush VD50030003 and locating washer VF60020002 to the pin.



## DAMPER MOUNTING SEQUENCE

The BP-51 needs to be fitted with the suspension in droop.

Before fitting the damper fit the 5mm washer (VE70020010) to the bottom mount as shown by the diagram.

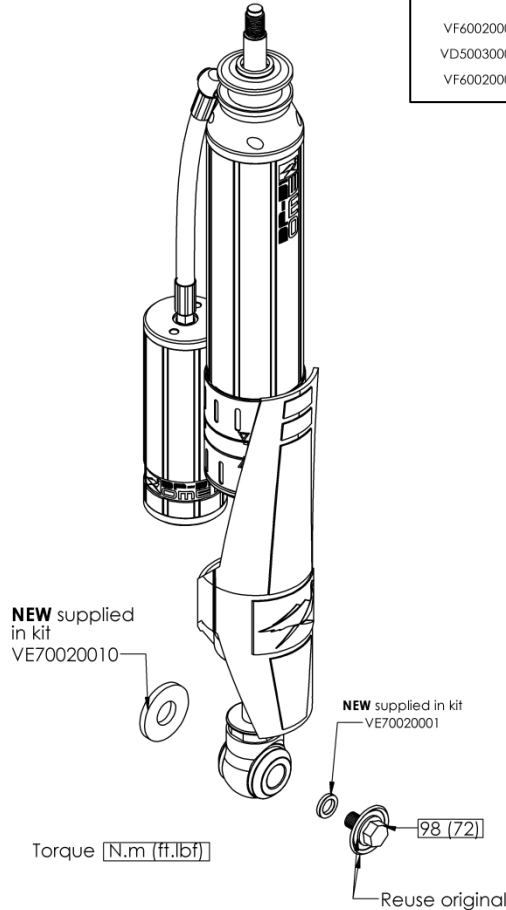
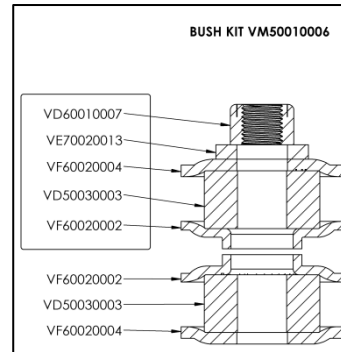
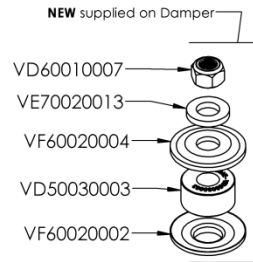
Mount the BP-51 dampers using the hardware in the sequence as shown, first the top mount then the bottom.

For the bottom mount slide the shaft guard up to access the eyelet. Fasten using original and new hardware as shown then fit the two shaft guard retainers to the eyelet and secure by firmly pulling the guard down over the retainers. Refer to next page for more detail.

Ensure all top and bottom mounting hardware is securely fastened.



**OE Mounting nuts: 98N.m (72 ft.lb)**



### Top Mount

Fit the damper to the vehicle top mount first. Fit the Locating Washer VF60020002, Bush VD50030003, Retaining Washer VF60020004, Crush Washer VE70020013 and secure with the M14 nut VD60010007 as shown by the diagram. Fit the top mount such that the hose leaving the damper is pointing towards the centre rear of the vehicle (towards the towbar).

### Bottom Mount

Ensure the new 5mm flat washer (VE70020010) is in place then slide the guard up, fit the damper and secure with the original and new hardware as shown. Fit the two shaft guard retainers to the eyelet and secure by firmly pulling the guard down over the retainers. Refer to next page for more detail.

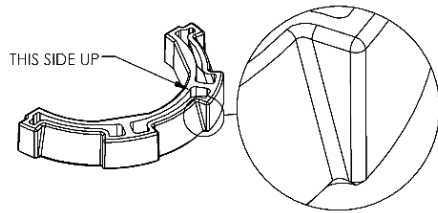
## SECURING SHAFT GUARDS

The shaft guards are designed to protect the shaft from stones thrown from the front wheels and are mounted to the front side of the damper.

It is easiest to secure the shaft guards before the dampers are fitted to the vehicle.

### Please follow steps 1-3.

1. Fit the two retainers to the eyelet as shown. Note the orientation.

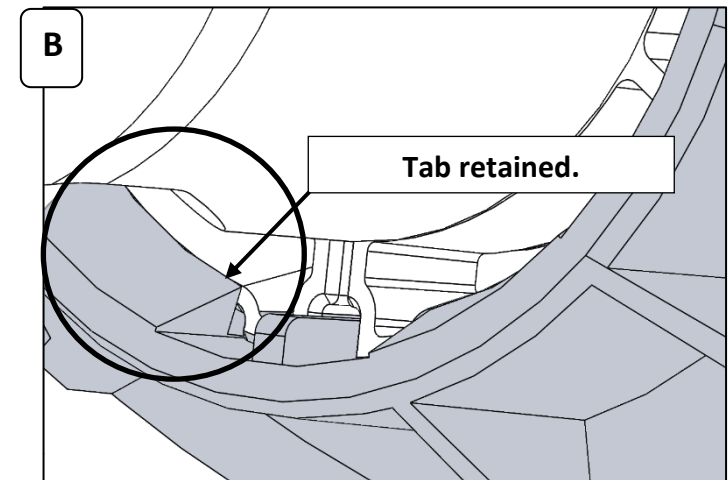
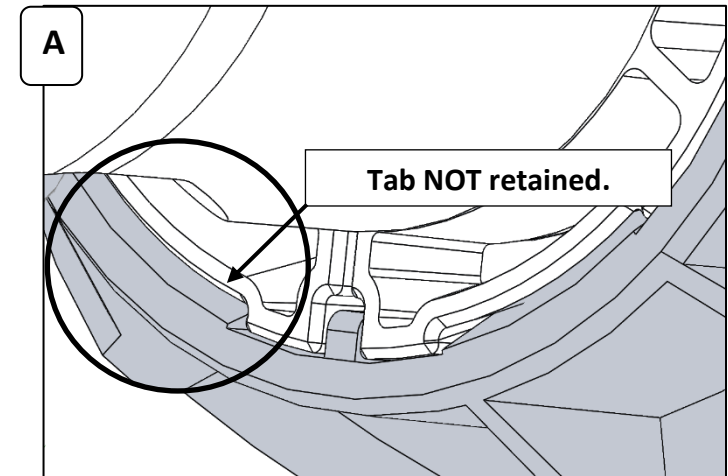
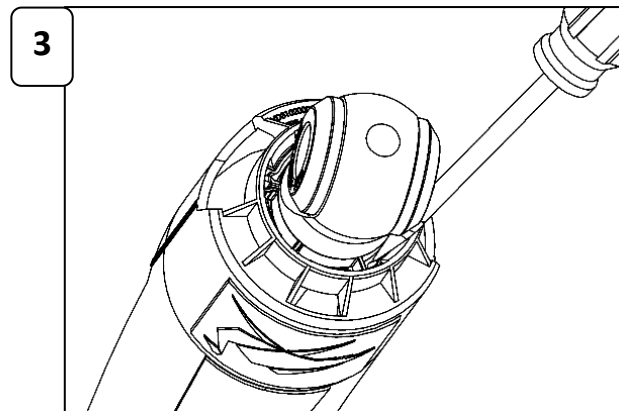
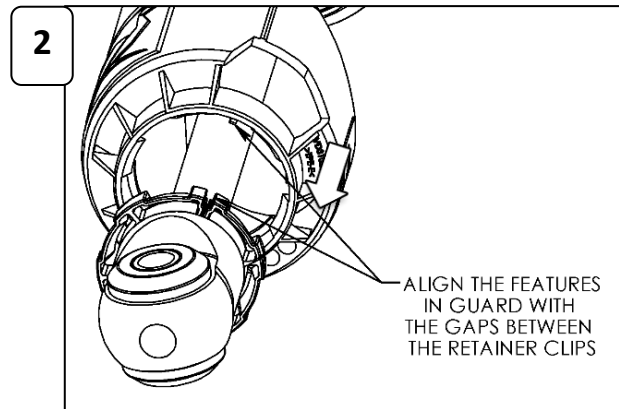
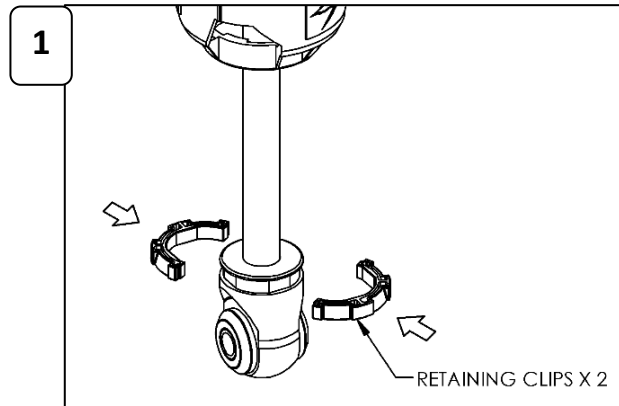


2. There are features on the shaft guard that locate in the gaps between the two retainers. Align the guard with these gaps and firmly pull the shaft guard down over the retainers to secure in place.

3. Check retainers are completely secured by guard. Use a flat blade screwdriver to poke retainers under tabs on guard if required. Refer to pictures (A) and (B) for correct fitment.

**IMPORTANT: Ensure ALL tabs are fully retained.**

**NOTE: Ensure the stone guard does not touch the brake hose once installed**



**IMPORTANT: Ensure ALL tabs are fully retained**

## RESERVOIR MOUNTING SEQUENCE

Fit reservoir mounting bracket to the chassis as shown and secure using M10 x 30 x 1.25 SHCS and washers.



**SHCS: 37N.m (27 ft.lb)**

Fit M6 reservoir mounting hardware to the mounting bracket, finger tight only. On the side with 2 holes always use the hole closer to the front of the vehicle. There should be no washer on the head side of the bolt. Use the washer supplied on the nut side.

Fit the reservoir clamp to the reservoir then slide the assembly over the heads of the bolts in the bracket. The edge of the mounting clamp should be parallel with the edge of the bracket. The hose runs to the outside (the tyre side) of the body. Note position of reservoir to clamp shown by the photos as a guide.

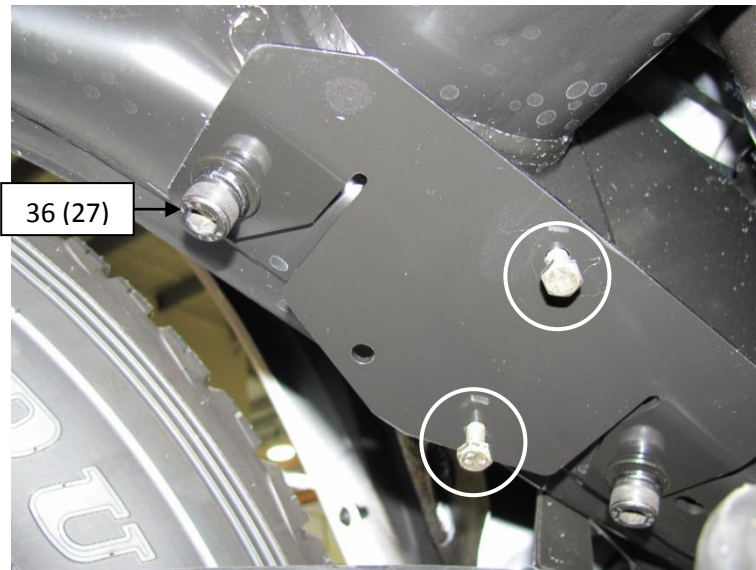
Ensure the reservoir clears the body of the damper and that the hose has a clean arc with no kinks.

Fasten hardware securely and torque where specified.

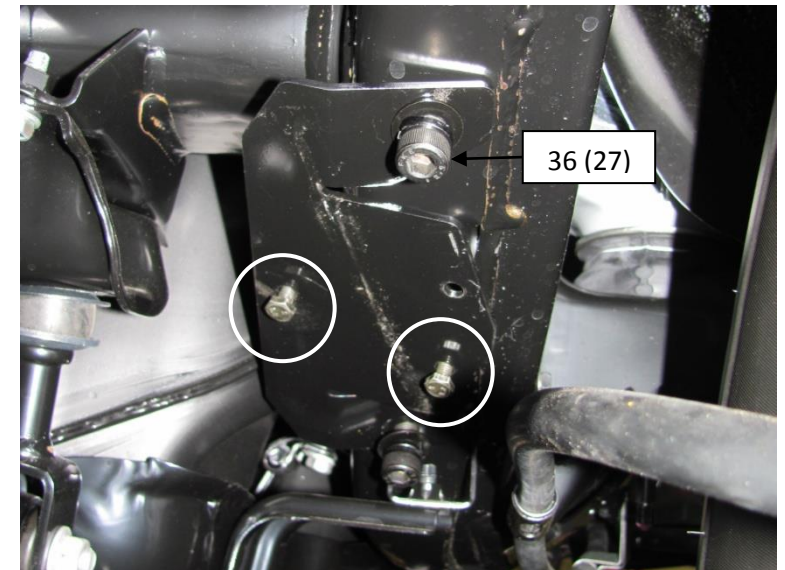


**Reservoir clamp 12 N.m (9 ft.lbf)**

LEFT



RIGHT



## DAMPING ADJUSTMENT

These dampers have been set in the factory to be used for a vehicle with certain load.

If your load or accessory fitment differs, use the table below as a guide for recommended compression and rebound adjuster settings.

Part Number	Rear Pay Load (kg)	Compression	Rebound
BP5160026	0 - 200	0-4	4-8
	200 - 400	2-6	6-10
	400 +	4-8	6-10
BP5160053	400-600	2-6	6-10
	600 +	4-8	6-10

## SPECIFICATIONS

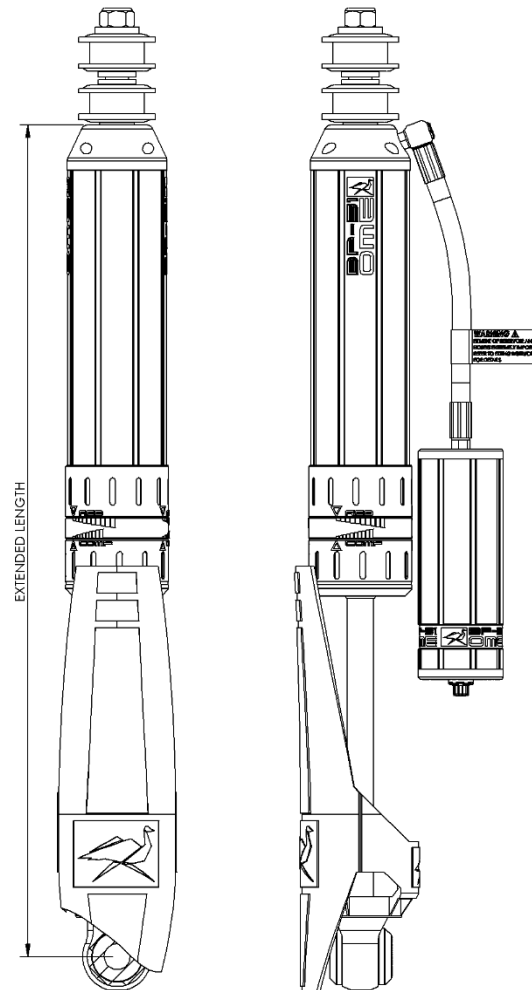
BP5160026 & BP5160053	Extended Length	606 mm
	Compressed Length	388 mm

## SPARE PARTS

Refer to Service and Parts Manual section:

- For BP5160026 see **BP-51 S&P 3.1-BP5160026**
- For BP5160053 see **BP-51 S&P 3.1-BP5160053**

## BP5160026



## BP5160053

